

### DESCRIPTION

The MP3376A is a synchronous boost converter with eight current channels designed to drive WLED arrays for LCD panels in tablets and notebook backlighting applications.

The MP3376A uses peak-current-mode and pulse-width modulation (PWM) control to maintain boost converter regulation. The MP3376A employs a standard I<sup>2</sup>C digital interface to set the operation mode, switching frequency, full-scale current for each channel, sync or non-sync mode, dimming mode and duty, and various protection thresholds.

The MP3376A features high efficiency due to low-headroom voltage for LED regulation and a small on resistance of the switching MOSFET. The synchronous rectifier saves PCB size and total BOM cost.

The MP3376A is available in a QFN-24 (4mmx4mm) package.

### FEATURES

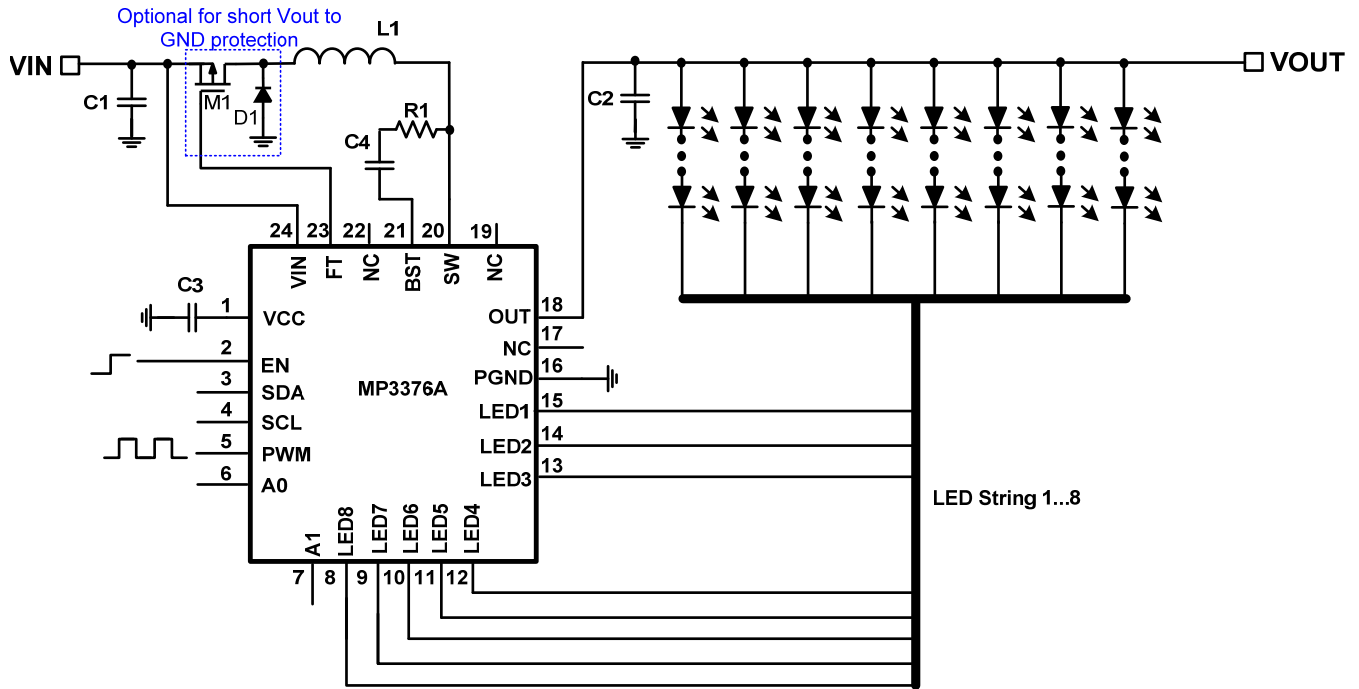
- 8 Channels with Max 50mA/Channel
- Synchronous Converter with LS-FET/HS-FET 160m/260mΩ On Resistance
- 3V to 30V Input Voltage Range
- Up to 37.5V Output Voltage
- 520mV LED Regulation Voltage at 20mA
- Max 2.5% Current Matching
- 350kHz / 500kHz / 650kHz / 800kHz / 950kHz / 1.2MHz / 1.8MHz / 2.4MHz Selectable Switching Frequency
- A0, A1 Pins for Four I<sup>2</sup>C Addresses
- 0mA to 50mA Full-Scale LED Current, 8-Bit, 0.196mA/Step
- Selectable Sync or Non-Sync Mode
- Multi-Dimming Operation Mode Including:
  - Analog Dimming through External PWM Input, 10-Bit Resolution
  - Analog Dimming through I<sup>2</sup>C Interface, 10-Bit Resolution
  - Mixed Dimming Mode through External PWM Input with 6.25% / 12.5% / 25% / 50% Transfer Point
  - Mixed Dimming Mode through I<sup>2</sup>C interface with 6.25% / 12.5% / 25% / 50% Transfer Point
- Customizable Default Register Values
- Linear Smooth Dimming with 2 / 4 / 8 / 16 / 32 / 64 / 128μs Step-Slope Set
- Unused LED String Auto-Disable during Start-Up
- LED Short/Open, OTP, OCP, Inductor or Diode Short Protection
  - 2.5 / 5 / 7.5 / 10V LED Short Threshold
  - 24 / 31 / 37.5V OVP Threshold
  - 1.8 / 2.5A Current Limit
- Available in a QFN-24 (4mmx4mm) Package

### APPLICATIONS

- Tablets/Notebooks
- Automotive Displays

All MPS parts are lead-free, halogen-free, and adhere to the RoHS directive. For MPS green status, please visit the MPS website under Quality Assurance. "MPS" and "The Future of Analog IC Technology" are registered trademarks of Monolithic Power Systems, Inc.

TYPICAL APPLICATION



### ORDERING INFORMATION

Part Number*	Package	Top Marking
MP3376AGR-xxxx**	QFN-24 (4mmx4mm)	See Below

\* For Tape & Reel, add suffix -Z (e.g. MP3376AGR-XXXX-Z)

\*\* "XXXX" is the register setting option. The factory default is "0000." This content can be viewed in Table 1 through Table 6. For custom options, please contact an MPS FAE to obtain a "XXXX" value.

### TOP MARKING

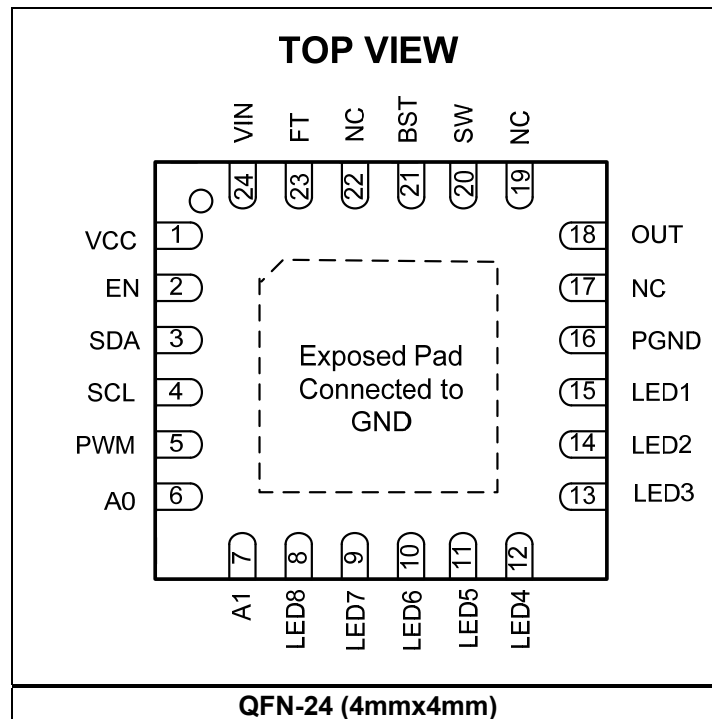
**MPSYWW**

**M3376A**

**LLLLLL**

MPS: MPS prefix  
 Y: Year code  
 WW: Week code  
 M3376A: Part number  
 LLLLLL: Lot number

### PACKAGE REFERENCE



**ABSOLUTE MAXIMUM RATINGS <sup>(1)</sup>**

$V_{SW}, V_{OUT}$ .....	-0.3V to +40V
$V_{FT}$ .....	$V_{IN} - 6V$ to $V_{IN}$
$V_{LEDX}$ .....	-0.3V to +40V
$V_{BST}$ .....	-0.3V to $V_{SW} + 6V$
$V_{IN}$ .....	-0.3V to +32V
All other pins .....	-0.3V to +6.5V
Junction temperature .....	150°C
Lead temperature .....	260°C
Continuous power dissipation $T_A = 25^\circ C$ <sup>(2)</sup>	
QFN-24 (4mmx4mm).....	2.7W

**Recommended Operating Conditions <sup>(3)</sup>**

Supply voltage ( $V_{IN}$ ).....	3V to 30V
Operating junction temp. ( $T_J$ )...	-40°C to +125°C

<b>Thermal Resistance <sup>(4)</sup></b>	<b><math>\theta_{JA}</math></b>	<b><math>\theta_{JC}</math></b>
QFN-24 (4mmx4mm).....	46.....	10... °C/W

**NOTES:**

- 1) Exceeding these ratings may damage the device.
- 2) The maximum allowable power dissipation is a function of the maximum junction temperature  $T_J$  (MAX), the junction-to-ambient thermal resistance  $\theta_{JA}$ , and the ambient temperature  $T_A$ . The maximum allowable continuous power dissipation at any ambient temperature is calculated by  $P_D$  (MAX) =  $(T_J$  (MAX)- $T_A$ )/ $\theta_{JA}$ . Exceeding the maximum allowable power dissipation produces an excessive die temperature, causing the regulator to go into thermal shutdown. Internal thermal shutdown circuitry protects the device from permanent damage.
- 3) The device is not guaranteed to function outside of its operating conditions.
- 4) Measured on JESD51-7, 4-layer PCB.

## ELECTRICAL CHARACTERISTICS

V<sub>IN</sub> = 3.7V, V<sub>EN</sub> = 2V, T<sub>A</sub> = 25°C, unless otherwise noted.

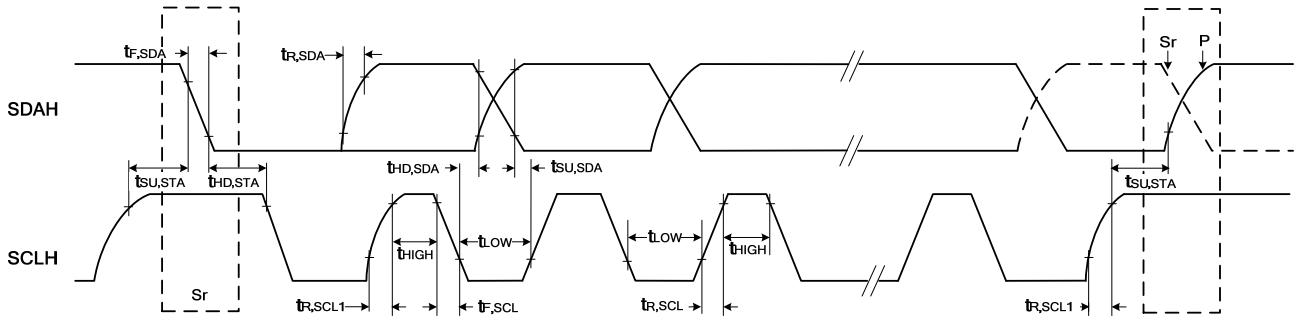
Parameter	Symbol	Condition	Min	Typ	Max	Units
Operating input voltage	V <sub>IN</sub>		2.7		30	V
Supply current (quiescent)	I <sub>Q</sub>	V <sub>IN</sub> = V <sub>EN</sub> = 3.7V, no switching		5.4		mA
Supply current (shutdown)	I <sub>ST</sub>	V <sub>EN</sub> = 0V, V <sub>IN</sub> = 3.7V			1	μA
Input UVLO threshold	V <sub>IN_UVLO</sub>	Rising edge		2.5		V
Input UVLO hysteresis				200		mV
LDO output voltage	V <sub>CC</sub>	V <sub>EN</sub> = 2V, 6V < V <sub>IN</sub> < 30V, 0 < I <sub>VCC</sub> < 10mA	4.4	4.9	5.4	V
EN on threshold	V <sub>EN_ON</sub>	V <sub>EN</sub> rising	1.2			V
EN off threshold	V <sub>EN_OFF</sub>	V <sub>EN</sub> falling			0.4	V
EN pull-down resistor	R <sub>EN</sub>			500		kΩ
A0, A1 low threshold	V <sub>A_Lo</sub>	V <sub>A</sub> falling			0.4	V
A0, A1 high threshold	V <sub>A_Hi</sub>	V <sub>A</sub> rising	1.2			V
A0, A1 pull-up resistor	R <sub>P_A</sub>			500		kΩ
<b>Step-Up Converter</b>						
Low-side MOSFET on resistance	R <sub>DS_LS</sub>	V <sub>IN</sub> = 6V		160		mΩ
High-side MOSFET on resistance	R <sub>DS_HS</sub>	V <sub>IN</sub> = 6V		260		mΩ
SW leakage current	I <sub>SW_LK</sub>	V <sub>SW</sub> = 40V			1	μA
Switching frequency	F <sub>SW</sub>	FS2:0 bits = 011b	720	800	880	kHz
		FS2:0 bits = 010b	585	650	715	kHz
Maximum duty cycle	D <sub>MAX</sub>	Sync mode, F <sub>SW</sub> = 800kHz	90	94		%
		Non-sync mode, F <sub>SW</sub> = 800kHz	93	95		%
SW current limit	I <sub>SW_LIMIT</sub>	Duty = 90%, ILIM bit = 1b	2	2.5	3	A
<b>Current Dimming</b>						
PWM input low threshold	V <sub>PWM_LO</sub>	V <sub>PWM</sub> falling			0.4	V
PWM input high threshold	V <sub>PWM_HI</sub>	V <sub>PWM</sub> rising	1.2			V
PWM pull-down resistor	R <sub>PWM</sub>			500		kΩ
Mix dimming transfer point		DIMT1:0 bits = 10b		25		%
Current up/down slope	T <sub>STEP</sub>	TSLP2:0 bits = 011b		16		μs
PWM dimming frequency set by I <sup>2</sup> C	F <sub>PWM</sub>	FPWM3:0 bits = 1010b		22		kHz
<b>LED Current Regulator</b>						
LEDX regulation voltage	V <sub>HD</sub>	I <sub>LED</sub> = 20mA	440	520	600	mV
Current matching <sup>(5)</sup>		I <sub>LED</sub> = 20mA			2.5	%
Full-scale current		ISET7:0 bits = FFh	49	50	51	mA
		ISET7:0 bits = 66h	19.6	20	20.4	mA

**ELECTRICAL CHARACTERISTICS (continued)**
**V<sub>IN</sub> = 3.7V, V<sub>EN</sub> = 2V, T<sub>A</sub> = 25°C, unless otherwise noted.**

Parameter	Symbol	Condition	Min	Typ	Max	Units
<b>Protection</b>						
Over-voltage protection threshold	V <sub>OVP</sub>	Rising edge, OVP1:0 bits = 10b	36	37.5	39	V
OVP UVLO threshold	V <sub>OVP_UV</sub>	Step-up converter fails		1.2		V
LEDX over-voltage threshold	V <sub>LEDX_OV</sub>	LEDS1:0 bits = 10b		7.5		V
LEDX over-voltage fault timer		F <sub>SW</sub> = 1.2MHz	1.5	1.8	2	ms
LEDX UVLO threshold	V <sub>LEDX_UV</sub>			100		mV
Thermal shutdown threshold	T <sub>ST</sub>	Rising edge		150		°C
		Hysteresis		20		°C
FT pull-down current	I <sub>FT</sub>		50	60	70	µA
FT voltage w/ respect to VIN	V <sub>FT-IN</sub>	V <sub>IN</sub> = 12V, V <sub>FT-IN</sub> = V <sub>IN</sub> - V <sub>FT</sub>		6		V
<b>I<sup>2</sup>C Interface</b>						
Input logic low	V <sub>IL</sub>				0.4	V
Input logic high	V <sub>IH</sub>		1.3			V
Output logic low	V <sub>OL</sub>	I <sub>LOAD</sub> = 3mA			0.4	V
SCL clock frequency	f <sub>SCL</sub>				1200	kHz
Set-up time for repeated start condition	t <sub>SU,STA</sub>		160			ns
Hold time for repeated start condition	t <sub>HD,STA</sub>		160			ns
Low time for SCLH clock	t <sub>HIGH</sub>		160			ns
High time for SCLH clock	t <sub>LOW</sub>		60			ns
Data set-up time	t <sub>SU,DAT</sub>		10			ns
Data hold time	t <sub>HD,DAT</sub>		0 <sup>(6)</sup>		70	ns
Rise time of SCLH clock	t <sub>R,SCL</sub>		10		40	ns
Rise time of SCLH clock after repeated start and acknowledge bit	t <sub>R,SCL1</sub>		10		80	ns
Fall time of SCLH clock	t <sub>F,SCL</sub>		10		40	ns
Rise time of SDAH data	t <sub>R,SDA</sub>		10		80	ns
Fall time of SDAH data	t <sub>F,SDA</sub>		10		80	ns
Set-up time for stop condition	t <sub>SU,STO</sub>		160			ns
Capacitive load for SDAH line and SCLH line	C <sub>B</sub> <sup>(7)</sup>				100	pF
Capacitive load for SDAH+SDA line and SCLH+SCL line	C <sub>B</sub>				400	pF

**NOTES:**

- 5) Matching is defined as the difference of the maximum to minimum current divided by 2 times the average current.
- 6) A device must provide a data hold time internally to bridge the undefined part between V<sub>IL</sub> and V<sub>IH</sub> of the falling edge of the SCLH signal. An input circuit with a threshold as low as possible for the falling edge of SCLH signal minimizes the hold time.
- 7) For the bus line load C<sub>B</sub> between 100pF and 400pF the timing parameters must be increased linearly.



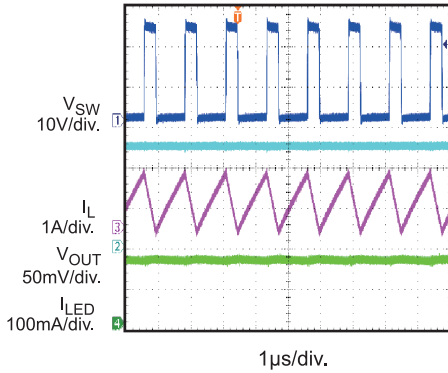
Sr: Repeated START Condition  
 P: STOP Condition

I<sup>2</sup>C Compatible Interface Timing Diagram

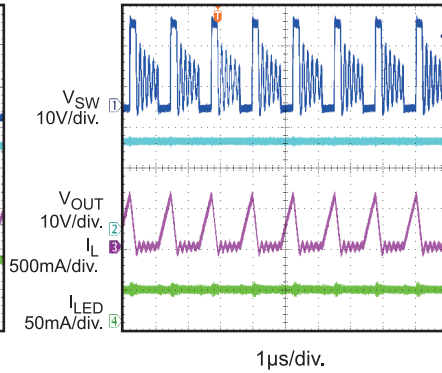
## TYPICAL PERFORMANCE CHARACTERISTICS

VIN = 7V, 8 LEDs in series, 8 strings, 20mA/string, L = 4.7μH, TA = 25°C, unless otherwise noted.

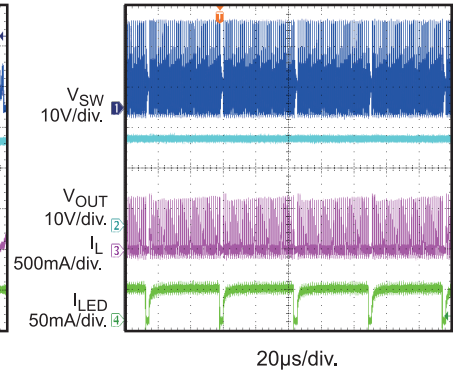
**Analog Dimming Mode**  
steady state



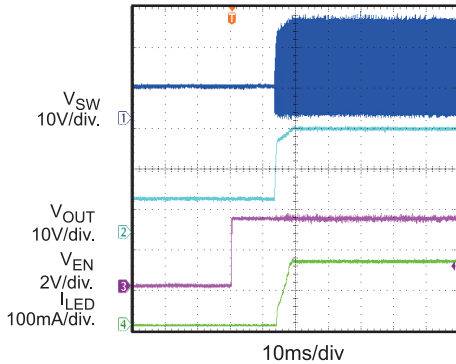
**Mix Dimming Mode**  
with 25% transfer point  
Dpwm=25%



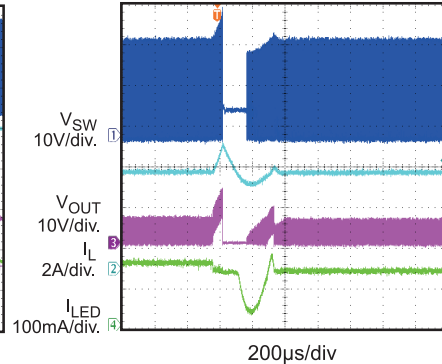
**Mix Dimming Mode**  
with 25% transfer point  
Dpwm=24%



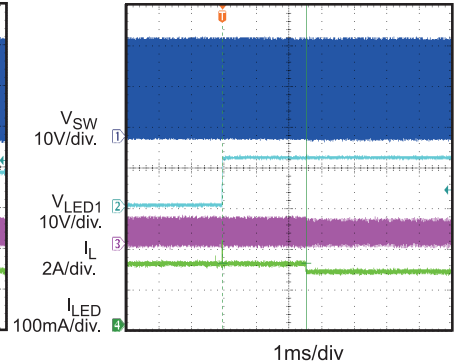
**EN power on**



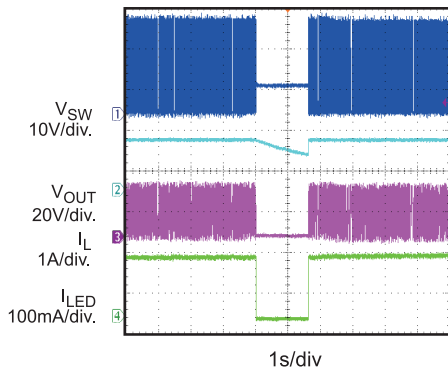
**Open LED Protection**  
Vovp=31V



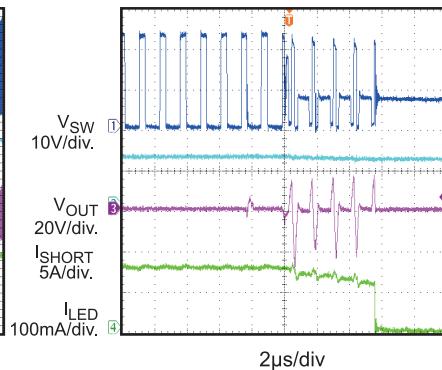
**Short LED Protection**  
Short channel LED1



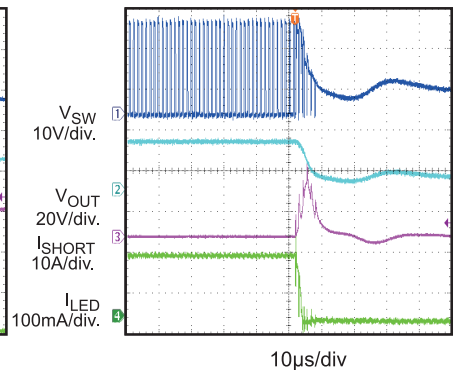
**Thermal Protection**



**Short Inductor Protection**



**Short Diode Protection**





## PIN FUNCTIONS

Pin #	Name	Description
1	VCC	<b>4.9V LDO output.</b> VCC provides power for the internal logic and gate driver. Place a ceramic capacitor as close to VCC as possible to reduce noise.
2	EN	<b>IC enable.</b> Pull EN high to enable the IC; pull EN low to make the IC enter shutdown mode.
3	SDA	<b>I<sup>2</sup>C interface data input.</b>
4	SCL	<b>I<sup>2</sup>C interface clock input.</b>
5	PWM	<b>PWM signal input.</b> Connect PWM to GND if not used.
6	A0	<b>IC Select.</b> A0 is pulled high internally.
7	A1	<b>IC Select.</b> A1 is pulled high internally.
8	LED8	<b>LED current source 8 output.</b> If LED8 is unused, tie it to GND.
9	LED7	<b>LED current source 7 output.</b> If LED7 is unused, tie it to GND.
10	LED6	<b>LED current source 6 output.</b> If LED6 is unused, tie it to GND.
11	LED5	<b>LED current source 5 output.</b> If LED5 is unused, tie it to GND.
12	LED4	<b>LED current source 4 output.</b> If LED4 is unused, tie it to GND.
13	LED3	<b>LED current source 3 output.</b> If LED3 is unused, tie it to GND.
14	LED2	<b>LED current source 2 output.</b> If LED2 is unused, tie it to GND.
15	LED1	<b>LED current source 1 output.</b> If LED1 is unused, tie it to GND.
16	PGND	<b>Power ground.</b>
17, 19, 22	NC	<b>No connection.</b>
18	OUT	<b>Synchronous boost output.</b>
20	SW	<b>Switching node.</b>
21	BST	<b>Bootstrap capacitor node for the high-side MOSFET.</b> Connect a 100nF ceramic capacitor and a 47Ω resistor in series between BST and SW for synchronous mode.
23	FT	<b>Input and output disconnection PMOS gate driver.</b> If there is no fault, FT is pulled low to turn on the external PMOS. Float FT and connect the inductor to VIN directly if the disconnection function is not needed.
24	VIN	<b>IC input power.</b> Place a ceramic capacitor as close to VIN as possible to reduce noise.
	EP	<b>Exposed pad.</b> Connect the EP to GND.

### BLOCK DIAGRAM

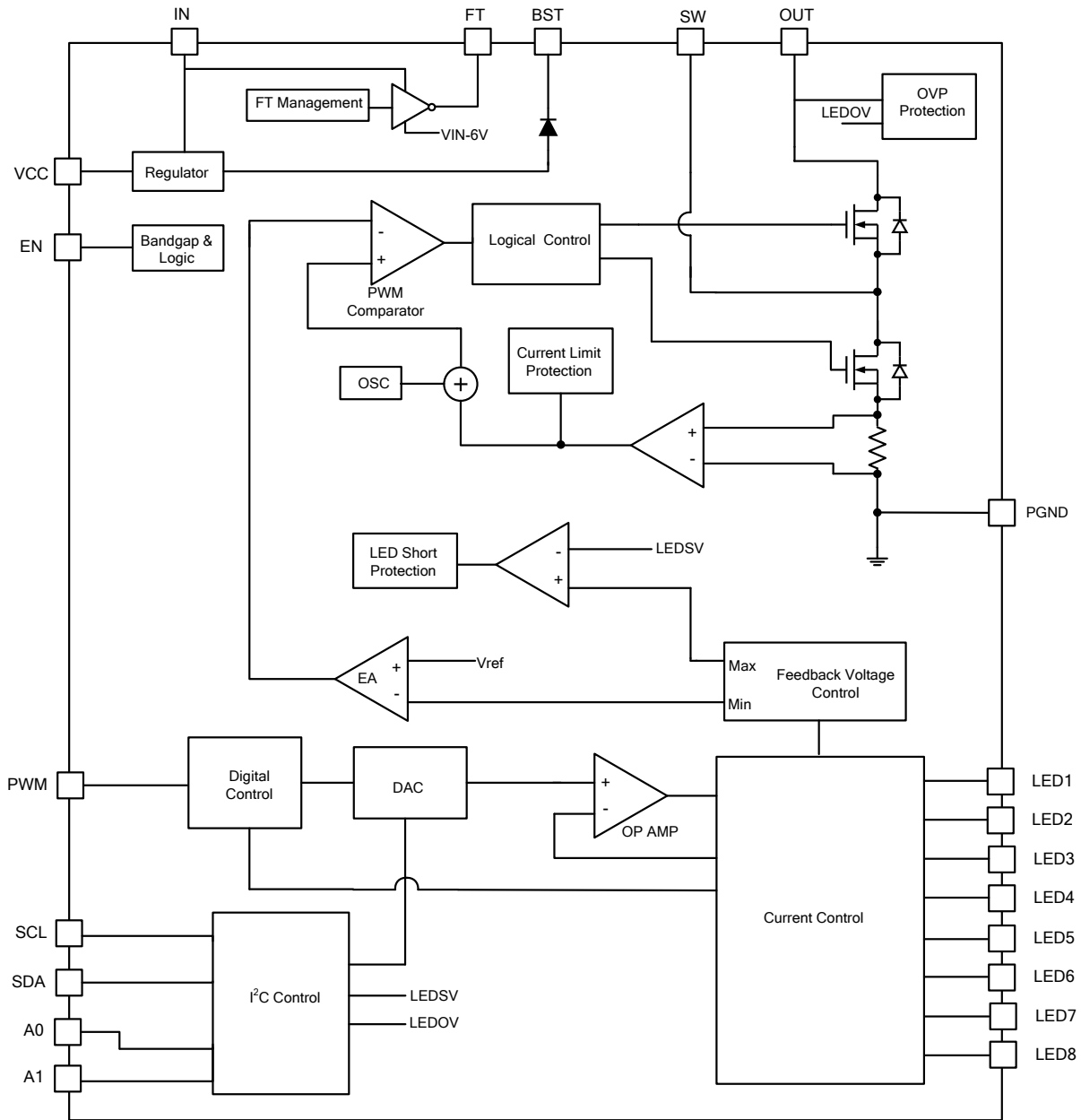


Figure 1: Functional Block Diagram

## OPERATION

The MP3376A is a programmable, constant-frequency, peak-current-mode, step-up converter with up to eight channels of regulated current sources to drive an array of white LEDs. The MP3376A provides a fully integrated solution that saves PCB size and total solution cost. For ease of use, an I<sup>2</sup>C interface is also integrated into the IC.

### Internal 4.9V Regulator

The MP3376A includes an internal linear regulator (VCC). When VIN is greater than 6V, this regulator outputs a 4.9V power supply to the internal MOSFET gate driver and internal control circuitry. VCC drops to 0V when the chip shuts down. The MP3376A is disabled until VCC exceeds the UVLO threshold.

### Internal Clock

The MP3376A has a fixed 10MHz clock for the internal timer and counter to achieve a high dimming resolution.

### Boost Converter Switching Frequency

The boost converter switching frequency can be set by the FS2:0 bits of register 01h. It can be set to 350kHz, 500kHz, 650kHz, 800kHz, 950kHz, 1.2MHz, 1.8MHz, or 2.4MHz.

### System Start-Up

When enabled, the MP3376A checks the topology connection. First, the IC draws current from FT to turn on the input disconnect PMOS if this MOSFET is being used. Second, after a 500μs delay, the IC monitors the OUT voltage (V<sub>OUT</sub>) to determine if the output is shorted to GND. If the output voltage is less than 1.2V, the IC is disabled. Lastly, the MP3376A continues to check other safety limits, such as LED open and over-voltage protection (OVP). If all protection tests pass, the IC begins boosting the step-up converter with an internal soft start.

The MP3376A can start up properly regardless of the order in which VIN, PWM, and EN turn on. To achieve a quick response, the recommended power-on sequence is from VIN power on → EN on (wait for 2ms) → send I<sup>2</sup>C data → PWM dimming signal (see Figure 2). When dimming is done just by the I<sup>2</sup>C interface, the PWM signal can be ignored.

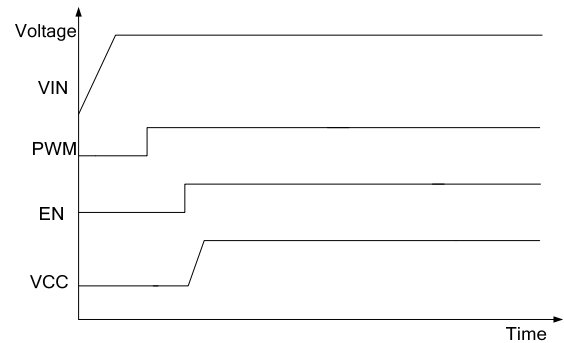


Figure 2: Recommended Power-On Timing

### Step-Up Converter

The MP3376A uses peak-current-mode control to regulate the output voltage. At the beginning of each switching cycle, the internal clock turns on the low-side N-channel MOSFET. In normal operation, the minimum turn-on time is around 100ns. A stabilizing ramp added to the output of the current sense amplifier prevents subharmonic oscillations for duty cycles greater than 50%. This result is fed into the PWM comparator. When the summed voltage reaches the output voltage of the error amplifier, the low-side MOSFET turns off.

The output voltage of the error amplifier is an amplified signal of the difference between the reference voltage and the feedback voltage. The converter chooses the lowest active LEDX voltage automatically as the feedback voltage to regulate an output voltage high enough and power all of the LED arrays.

If the feedback voltage drops below the reference, the output of the error amplifier increases. This results in increased current flowing through the MOSFET and increased power delivered to the output. This forms a closed loop that regulates the output voltage.

### Pulse-Skipping Mode

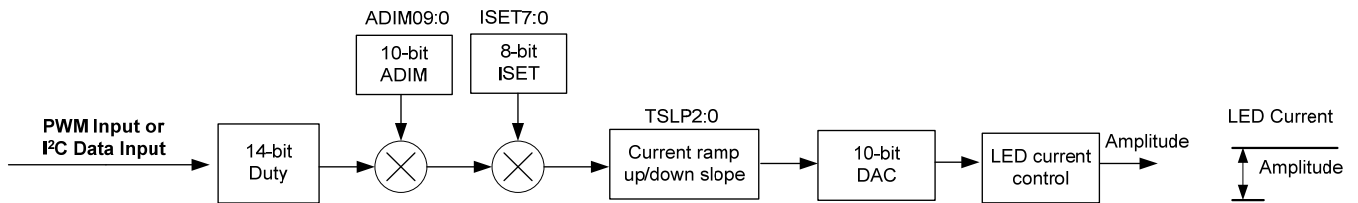
Under light-load operation, especially in the case of V<sub>OUT</sub> ≈ VIN, the converter runs in pulse-skipping mode, where the MOSFET turns on for a minimum on time. In this mode, the device keeps the power switch off for several switching cycles to prevent the output voltage from rising above the regulated voltage. When the chip stops switching, the output capacitor discharges to the power LED string. The device begins switching until the output voltage needs to be boosted again.

**Full-Scale Current Setting**

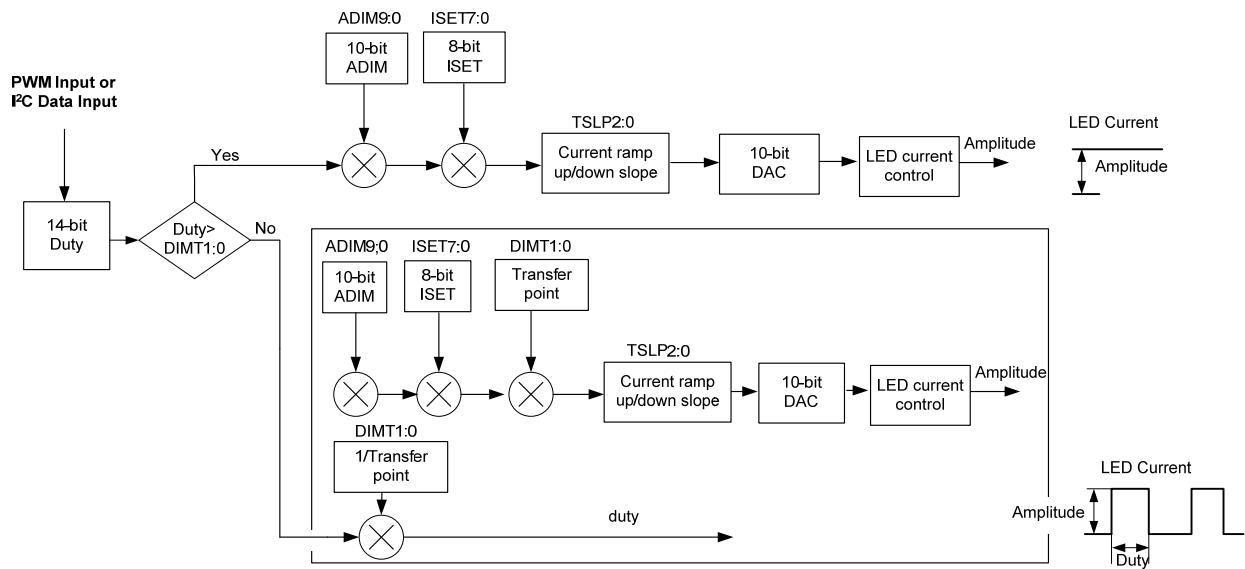
LED full-scale current can be set by the register ISET7:0 bits from 0-50mA with 0.196mA per step.

**Dimming Control**

The MP3376A can provide flexible dimming methods based on the dimming mode setting shown below, including analog dimming mode and mix dimming mode (see Figure 3 and Figure 4). Each mode can control the brightness by the PWM input signal or I<sup>2</sup>C interface.



**Figure 3: Analog Dimming Mode Flow Chart**



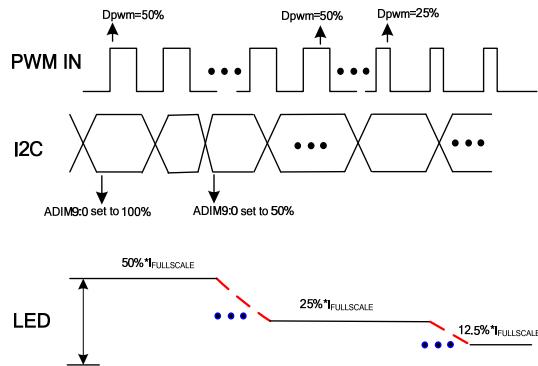
**Figure 4: Mix Dimming Mode Flow Chart**

The MP3376A has four types of dimming modes total.

### 1. Analog Dimming Mode from PWM Input

MOD2:0 bits = 000b. In analog dimming mode, the LED current amplitude is dependent on the duty cycle of the PWM input signal.

Note that the current amplitude can be changed by the register ADIM9:0 10-bit value (see Figure 5).

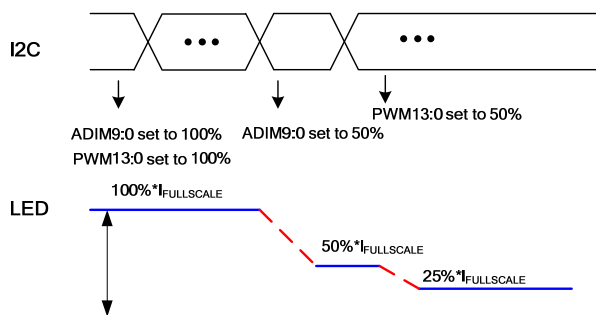


**Figure 5: Analog Dimming from PWM Input**

### 2. Analog Dimming Mode from I<sup>2</sup>C Interface

MOD2:0 bits = 001b. In analog dimming mode, the LED current amplitude is set by the internal register PWM13:0 bits.

Note that the current amplitude can be changed by the register ADIM9:0 10-bit value (see Figure 6).



**Figure 6: Analog Dimming from I<sup>2</sup>C Interface**

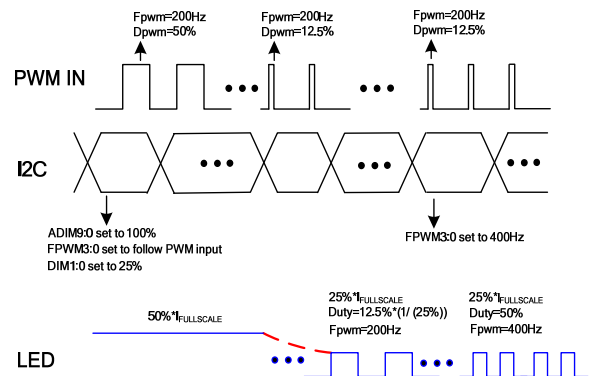
### 3. Mix Dimming Mode from PWM Input

MOD2:0 bits = 100b. In mix dimming mode, if the duty cycle from PWM is larger than the threshold set by the register DIMT1:0 bits, the IC works in analog dimming mode. The LED current amplitude follows the input duty. If the duty cycle from the PWM input is lower than the threshold set by the register DIMT1:0 bits, the

IC works in PWM dimming mode, and the PWM LED current frequency is set by the register FPWM3:0 bits. The PWM LED current duty is extended according to the transfer point selected.

For example, if the transfer point is 25%, then the PWM LED current duty = PWM input duty x 1/(25%). The PWM LED current amplitude is fixed to the value at the transfer point set by DIMT1:0.

Note that the current amplitude can be changed by the register ADIM9:0 10-bit value (see Figure 7).



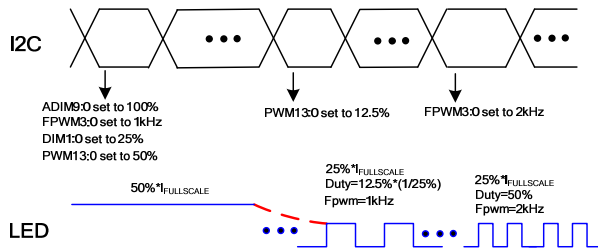
**Figure 7: Mix Dimming from PWM Input**

### 4. Mix Dimming Mode from I<sup>2</sup>C Interface

MOD2:0 bits = 101b. In mix dimming mode, if the duty cycle from the internal register PWM13:0 bits is larger than the threshold set by register DIMT1:0 bits, the IC works in analog dimming mode. The LED current amplitude follows the register PWM13:0 bits. If the duty cycle from the register PWM13:0 bits is lower than the threshold set by register DIMT1:0 bits, the IC works in PWM dimming mode, and the PWM frequency is set by the register FPWM3:0 bits. The PWM LED current duty is extended according to the transfer point selected.

For example, if the transfer point is 25%, then the PWM LED current duty = duty set by PWM13:0 bits x 1/(25%). The PWM LED current amplitude is fixed to the value at the transfer point duty set by DIMT1:0.

Note that the current amplitude can be changed by the register ADIM9:0 10-bit value (see Figure 8).



**Figure 8: Mix Dimming from I<sup>2</sup>C Interface**

### Linear Dimming for Fade In/Out

The MP3376A provides linear current rise up or down. The LED current ramps up or down linearly. The current ramp-up or ramp-down slope can be set by the register TSLP2:0 bits from 2 $\mu$ s to 128 $\mu$ s (0.049mA for each step).

### Deep Dimming Ratio

To provide enough output energy for the LED load when the PWM LED current duty is very small, the MP3376A provides at least four switching cycles to guarantee sufficient output voltage before the next PWM LED current on duty cycle. This way, the MP3376A can achieve a very wide dimming ratio range in PWM dimming mode. The dimming ratio is dependent on the LED current dimming frequency and LED current source turn-on/-off time. The lower the PWM dimming frequency, the deeper the dimming ratio.

For MP3376A it is recommended that the minimum on time of the LED string is higher than 1.5 $\mu$ s to achieve good dimming. The dimming ratio can reach to 100:1 at 22kHz in mix dimming mode.

### Unused LED Channel Setting

The MP3376A can detect an unused LED string automatically and remove it from the control loop during start-up by either connecting the unused LEDX pin to GND or by setting the corresponding register CHEN7:0 bits to 0.

### Synchronous Rectifier

To save cost and reduce PCB size, the MP3376A works in synchronous rectifier mode by default. A 100nF ceramic capacitor and a 47 $\Omega$  resistor in series between BST and SW is the best BST supply choice for the synchronous converter.

In some cases, such as extremely high switching frequency and high output power applications, it is recommended to use an external rectifier for better thermal and efficiency. To disable the internal synchronous rectifier, set the register SYNC bit to 0.

### Open-String Protection

Open-string protection is achieved by detecting the voltage of OUT and LED1-8. During operation, if one string is open, the respective LEDX pin voltage is pulled low to ground, and the IC continues charging the output voltage until it reaches the OVP threshold (set by OVP1:0 bits). If the OVP point has been triggered, the chip stops switching and marks off the fault string that has an LEDX pin voltage lower than 100mV. Once marked, the remaining LED strings force the output voltage back to normal regulation. The string with the largest voltage drop determines the output regulation value.

### Short-String Protection

The MP3376A monitors the LEDX pin voltages to determine if a short-string fault has occurred. If one or more strings are shorted, the respective LEDX pins tolerate high voltage stress. If an LEDX pin voltage is higher than the protection threshold (programmable by LEDS1:0 bits), an internal counter is started. If this fault condition lasts for 1.8ms ( $f_{sw} = 1.2$ MHz), the fault string is marked off and disabled. Once a string is marked off, it is disconnected from the output voltage loop until the part restarts. If all strings are shorted, the MP3376A shuts down the step-up converter until the power is restarted (VIN supply switches on from off) or EN is toggled (EN switches on from off).

### Cycle-by-Cycle Current Limit

To prevent the external components from exceeding the current stress rating, the IC uses a cycle-by-cycle current-limit protection. The limit value can be selected by the register ILIM bit. When the current exceeds the current limit value, the IC stops switching until the next clock cycle begins.

### Latch-Off Current Limit Protection

To avoid device damage caused by a large current rating (such as inductor or diode short to GND), the MP3376A uses a latch-off current-limit protection when the current flowing through the low-side MOSFET reaches the threshold (3.5A) in around 200ns and lasts for five switching cycles.

### Thermal Protection

To prevent the IC from operating at exceedingly high temperatures, thermal shutdown is implemented by detecting the silicon die temperature. When the die temperature exceeds the upper threshold ( $T_{ST}$ ), the IC shuts down and resumes normal operation when the die temperature drops below the lower threshold. Typically, the hysteresis value is 20°C.

### One-Time Program (OTP) Mode Operation

The MP3376A can change the register default values several times with the OTP function. The internal registers 00H, 01H, and 02H can be programmed five times. The internal registers 03H and 04H can only be programmed once.

It is recommended to use the sequence below for OTP operation.

1. Write the customized default into all internal registers with the I<sup>2</sup>C when OTMD = 0 (02H - D11) and OTPEN = 0 (02H - D10).
2. Ensure that EN is high and VIN > 8V before entering OTP mode.
3. Set OTPMD = 1 (02H - D11). The IC enters one-time program mode, and the VCC voltage rises to about 6.3V.
4. Set OTPEN = 1 (02H - D10). The MP3376A begins burning the customized default one by one.
5. Burn the registers from 00H to 04H first after enabling the OTP function.
6. Burn the OTP timer (05H-D7:5) last.

The OTPEN bit resets to 0 after 400ms of burning time. The timer (05H-D7:5) counts the number of times the register has been burnt successfully.

Note that not all internal registers and bits are programmed respectively. Therefore, write all registers carefully with correct values before setting OTPEN = 1.

### I<sup>2</sup>C Interface Register Description

Please read/write the register after EN is ready for longer than 2ms.

### I<sup>2</sup>C Chip Address

The 7-bit MSB device address is 0x28 ~ 0x2B. After the start condition, the I<sup>2</sup>C-compatible master sends a 7-bit address followed by an eighth read (1) or write (0) bit.

The following bit indicates the register address to or from which the data is written or read. A0 and A1 can program the IC address. Therefore, the four MP3376A chips share the same I<sup>2</sup>C interface.

0	1	0	1	0	A0	A1	R/W
---	---	---	---	---	----	----	-----

**I<sup>2</sup>C Compatible Device Address**

**Register Mapping**

Add	D15	D14	D13	D12	D11	D10	D9	D8
00H	ISET7	ISET6	ISET5	ISET4	ISET3	ISET2	ISET1	ISET0
Add	D7	D6	D5	D4	D3	D2	D1	D0
00H	CHEN7	CHEN6	CHEN5	CHEN4	CHEN3	CHEN2	CHEN1	CHEN0

Add	D15	D14	D13	D12	D11	D10	D9	D8
01H	NA	NA	NA	NA	NA	NA	OVP1	OVP1
Add	D7	D6	D5	D4	D3	D2	D1	D0
01H	SYNC	MOD2	MOD1	MOD0	ILIM	FS2	FS1	FS0

Add	D15	D14	D13	D12	D11	D10	D9	D8
02H	NA	NA	NA	NA	OTPMD	OTPEN	ADIM9	ADIM8
Add	D7	D6	D5	D4	D3	D2	D1	D0
02H	ADIM7	ADIM6	ADIM5	ADIM4	ADIM3	ADIM2	ADIM1	ADIM0

Add	D15	D14	D13	D12	D11	D10	D9	D8
03H	NA	NA	NA	NA	NA	TSLP2	TSLP1	TSLP0
Add	D7	D6	D5	D4	D3	D2	D1	D0
03H	LEDS1	LEDS0	FPWM3	FPWM2	FPWM1	FPWM0	DIMT1	DIMT0

Add	D15	D14	D13	D12	D11	D10	D9	D8
04H	NA	NA	PWM13	PWM12	PWM11	PWM10	PWM9	PWM8
Add	D7	D6	D5	D4	D3	D2	D1	D0
04H	PWM7	PWM6	PWM5	PWM4	PWM3	PWM2	PWM1	PWM0

Add	D15	D14	D13	D12	D11	D10	D9	D8
05H	ID7	ID6	ID5	ID4	ID3	ID2	ID1	ID0
Add	D7	D6	D5	D4	D3	D2	D1	D0
05H	TIME2	TIME1	TIME0	FT_OTP	FT_OCP	FT_OVP	FT_LEDO	FT_LEDS

**NOTES:**

The register (00H, 01H, 02H) bits in **red** can be written to a customized default five times.  
 The register (03H, 04H) bits in **blue** can be written to a customized default once.



**Table 1: Full-Scale and Channel Enable Register**

Addr: 0x00				
Bit	Bit Name	Access	Default	Description
15:8	ISET7:0	RW	0xFF	LED current full-scale current bits. These bits set the max current for each channel. 0x00: 0mA; ...; 0xFF: 50mA; 0.196mA/step.
7:0	CHEN7:0	RW	0xFF	LED current source enable bits. CHEN0-7 bits control the internal LED current sources respectively. CHEN0: 1 = LED current source 1 is enabled 0 = disabled CHEN1: 1 = LED current source 2 is enabled 0 = disabled CHEN2: 1 = LED current source 3 is enabled 0 = disabled CHEN3: 1 = LED current source 4 is enabled 0 = disabled CHEN4: 1 = LED current source 5 is enabled 0 = disabled CHEN5: 1 = LED current source 6 is enabled 0 = disabled CHEN6: 1 = LED current source 7 is enabled 0 = disabled CHEN7: 1 = LED current source 8 is enabled 0 = disabled

**Table 2: Dimming Mode and Parameter Set Register**

Addr: 0x01				
Bit	Bit Name	Access	Default	Description
15:10	NA	R	NA	Reserved.
9:8	OVP1:0	RW	01b	Output voltage OVP threshold bits. 00 = 24V 01 = 31V 10 = 37.5V 11 = NA
7	SYNC	RW	1b	Boost converter rectifier operation mode bit. 0 = IC works in non-synchronous mode 1 = IC works in synchronous mode
6:4	MOD2:0	RW	100b	LED current dimming mode bits. 000 = the IC works in analog dimming mode through the external PWM input signal. The LED current amplitude changes with the input PWM duty. 001 = the IC works in analog dimming mode through the I <sup>2</sup> C interface. The LED current amplitude changes with the register PWM13:0 bits. 100 = the IC works in mix dimming mode through the external PWM input signal. If the input PWM duty is higher than the transfer point, the IC works in analog dimming mode. Otherwise, the IC works in PWM dimming mode. The DIMIT1:0 bit determines the transfer point of mix dimming mode. 101 = the IC works in mix dimming mode through the I <sup>2</sup> C interface. If the duty set by the register PWM13:0 bit is higher than the transfer point, the IC works in analog dimming mode. Otherwise, the IC works in PWM dimming mode. The DIMIT1:0 bit determines the transfer point of mix dimming mode.
3	ILIM	RW	1b	Inductor cycle-by-cycle current limit bit of the converter. 0 = 1.8A current limit 1 = 2.5A current limit
2:0	FS2:0	RW	011b	Boost converter switching frequency bits. 000 = 350kHz 001 = 500kHz 010 = 650kHz 011 = 800kHz 100 = 950kHz 101 = 1.2MHz 110 = 1.8MHz 111 = 2.4MHz

**Table 3: One-Time Program Enable and Analog Dimming Register**

Addr: 0x02				
Bit	Bit Name	Access	Default	Description
15:12	NA	R	NA	Reserved.
11	OTPMD	RW	0b	One-time program mode bit. OTP burning must be done in OTP mode. 0 = not OTP mode 1 = enter OTP mode. The VCC voltage rises to about 6.3V if the input voltage >8V.
10	OTPEN	RW	0b	One-time program enable bit. 1 = enable OTP function. Burn the customer's default to all internal registers one by one (from 00H to 04H) and TIME1:0 bit. Reset to 0 after finishing OTP. 0 = disable OTP function
9:0	ADIM9:0	RW	0x3FF	Analog dimming bits. This controls the LED current amplitude in any dimming mode. 0x000 = 0%; 0x001 = 0.098%; ...; 0x3FF = 100%; 0.098% per step.

**Table 4: Slope and PWM Dimming Frequency Register**

Addr: 0x03				
Bit	Bit Name	Access	Default	Description
15:11	NA	R	NA	Reserved.
10:8	TSLP2:0	RW	010b	LED current ramp-up/-down slope bit. 000 = 2µs per step 001 = 4µs per step 010 = 8µs per step 011 = 16µs per step 100 = 32µs per step 101 = 64µs per step 110 = 128µs per step 111 = NA
7:6	LEDS1:0	RW	01b	LED short protection threshold bits. 00 = 2.5V 01 = 5V 10 = 7.5V 11 = 10V
5:2	FPWM3:0	RW	1111b	LED current dimming frequency bits when device is in PWM dimming or mix dimming mode. 0000 = 120Hz 0001 = 240Hz 0010 = 400Hz 0011 = 800Hz 0100 = 1kHz 0101 = 2kHz 0110 = 4kHz 0111 = 10kHz 1000 = 14kHz 1001 = 18kHz 1010 = 22kHz 1011 = 26kHz 1100 = 29kHz 1101 = 33kHz 1110 = 37kHz 1111 = follow PWM input signal when dimming by an external PWM input signal.
1:0	DIMT1:0	RW	10b	Transfer point bits in mix dimming mode. If the dimming duty is higher than the threshold, the IC works in analog dimming mode. Otherwise, the IC works in PWM dimming mode. 00 = 6.25% 01 = 12.5% 10 = 25% 11 = 50%

**Table 5: Internal I<sup>2</sup>C Dimming Register**

Addr: 0x04				
Bit	Bit Name	Access	Default	Description
15:14	NA	R	NA	Reserved.
13:0	PWM13:0	RW	0x0000	LED current dimming duty setting bit by I <sup>2</sup> C interface. This controls the LED current dimming duty when set MOD2:0 bit to 001b or 101b. 0x0000: 0%; 0x0001: 0.006%; ...; 0x3FFF:100%; 0.006% per step.

**Table 6: ID and Fault Register**

Addr: 0x05				
Bit	Bit Name	Access	Default	Description
15:8	ID7:0	R	00010001b	Device ID bits.
7:5	TIME 2:0	R	000b	OTP time bit. When OTP occurs once, TIME2:0 counts one time. 000 = 0 001 = 1 010 = 2 011 = 3 100 = 4 101 = 5
4	FT_OTP	R	0b	Over-temperature protection fault indication bit. 0 = no fault 1 = fault. The fault status can latch off until it is reset to 0 after this bit is read.
3	FT_OCP	R	0b	Over-current protection fault indication bit. 0 = no fault 1 = fault. The fault status can latch off until it is reset to 0 after this bit is read.
2	FT_OVP	R	0b	Over-voltage protection fault indication bit. 0 = no fault 1 = fault. The fault status can latch off until it is reset to 0 after this bit is read.
1	FT_LEDO	R	0b	LED current source open fault indication bit. 0 = no fault 1 = fault. The fault status can latch off until it is reset to 0 after this bit is read.
0	FT_LEDS	R	0b	LED short fault indication bit. 0 = no fault 1 = fault. The fault status can latch off until it is reset to 0 after this bit is read.

## APPLICATION INFORMATION

### Selecting the Switching Frequency

The switching frequency of the step-up converter is set by the register bits FS2:0 (see Table 2).

### Setting the LED Current

The LED string full-scale current is set by the register ISET7:0 bits from 0mA to 50mA with 0.196mA per step.

### Selecting the Input Capacitor

The input capacitor reduces the surge current drawn from the input supply and the switching noise from the device. The input capacitor impedance at the switching frequency should be less than the input source impedance to prevent the high-frequency switching current from passing through to the input. Ceramic capacitors with X5R or X7R dielectrics are recommended for their low ESR and small temperature coefficients. For most applications, a 4.7μF ceramic capacitor is sufficient.

### Selecting the Inductor

The MP3376A requires an inductor to supply a higher output voltage while being driven by the input voltage. A larger value inductor results in less ripple current, lower peak-inductor current, and reduced stress on the internal N-channel MOSFET. However, the larger value inductor also has a larger physical size, higher series resistance, and lower saturation current.

Choose an inductor that will not saturate under the worst-case load conditions. Select the minimum inductor value to ensure that the boost converter works in continuous conduction mode with high efficiency and good EMI performance.

Calculate the required inductance value using Equation (1) and Equation (2):

$$L \geq \frac{\eta \times V_{OUT} \times D \times (1-D)^2}{2 \times f_{SW} \times I_{LOAD}} \quad (1)$$

$$D = 1 - \frac{V_{IN}}{V_{OUT}} \quad (2)$$

Where  $V_{IN}$  is the input voltage,  $V_{OUT}$  is the output voltage,  $f_{SW}$  is the switching frequency,  $I_{LOAD}$  is the LED load current, and  $\eta$  is the efficiency.

With a given inductor value, the inductor DC current rating is at least 40% higher than the maximum input peak inductor current for most applications. The inductor's DC resistance should be as small as possible to achieve higher efficiency.

### Selecting the Output Capacitor

The output capacitor keeps the output voltage ripple small and ensures feedback loop stability. The output capacitor impedance must be low at the switching frequency. Ceramic capacitors with X7R dielectrics are recommended for their low ESR characteristics. For most applications, a 2.2μF ceramic capacitor is sufficient.

### Setting the Over-Voltage Protection (OVP)

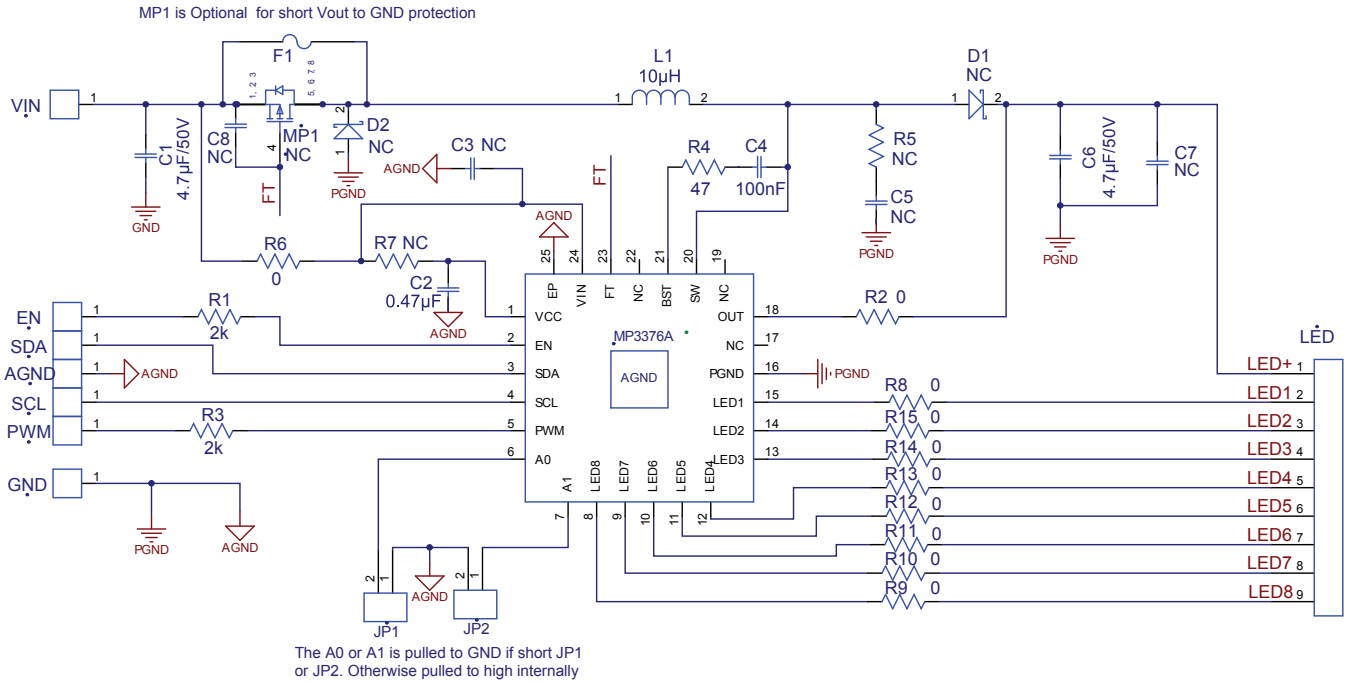
The output OVP voltage is set by the register OVP1:0 bits (see Table 2).

### PCB Layout Guidelines

Careful attention must be given to the PCB layout and component placement. Efficient PCB layout of the high-frequency switching path is critical to prevent noise and electromagnetic interference problems. For best results, follow the guidelines below.

1. Keep the loop of SW to PGND, the external diode (if needed), and the output capacitor as short as possible, since it is flowing with a high-frequency pulse current.
2. Place a ceramic capacitor close to the input and VCC, since they are susceptible to noise.

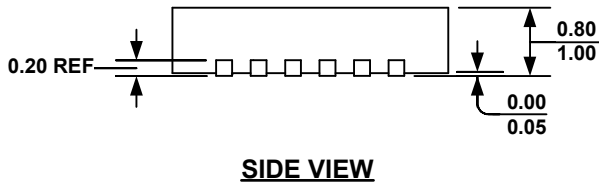
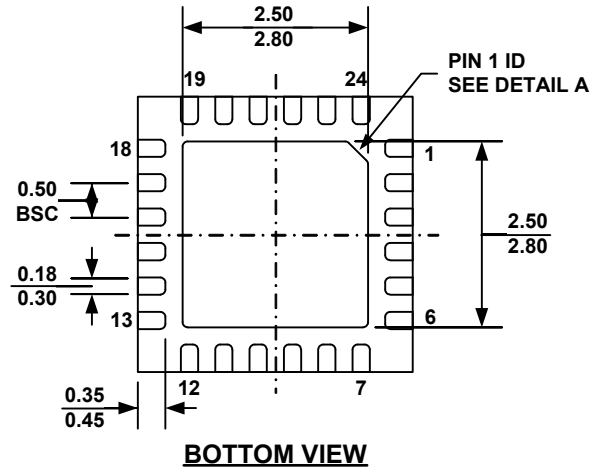
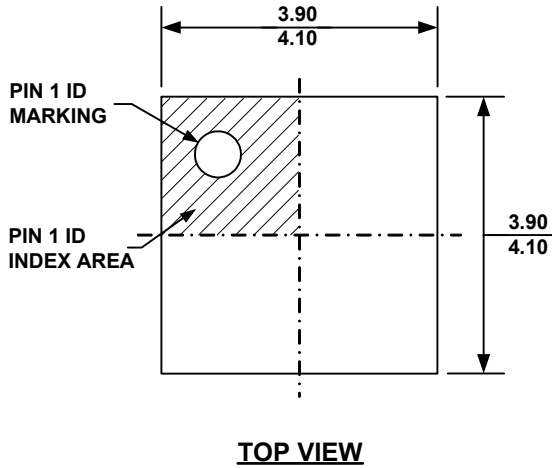
# TYPICAL APPLICATION CIRCUIT



**Figure 9: Typical Application Circuit**

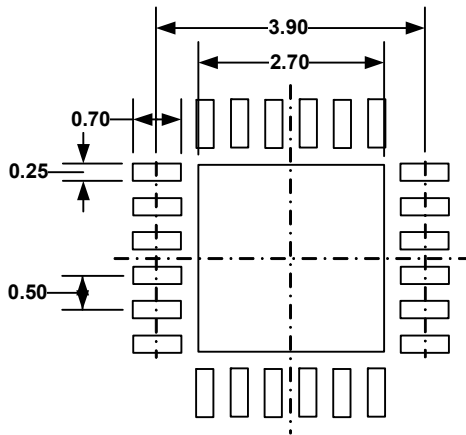
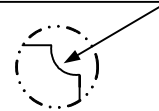
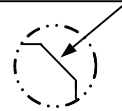
# PACKAGE INFORMATION

## QFN-24 (4mmx4mm)



**PIN 1 ID OPTION A**  
0.30x45° TYP.

**PIN 1 ID OPTION B**  
R0.25 TYP.



**NOTE:**

- 1) ALL DIMENSIONS ARE IN MILLIMETERS.
- 2) EXPOSED PADDLE SIZE DOES NOT INCLUDE MOLD FLASH.
- 3) LEAD COPLANARITY SHALL BE 0.10 MILLIMETER MAX.
- 4) DRAWING CONFIRMS TO JEDEC MO-220, VARIATION VGGD.
- 5) DRAWING IS NOT TO SCALE.

**NOTICE:** The information in this document is subject to change without notice. Users should warrant and guarantee that third party Intellectual Property rights are not infringed upon when integrating MPS products into any application. MPS will not assume any legal responsibility for any said applications.