

ORDERING INFORMATION

| Part Number* | Package | Top Marking | Free Air Temperature (T _A) |
|--------------|-----------|-------------|--|
| MP2483DQ | 3x3 QFN10 | 9M | -40°C to +85°C |
| MP2483DS | SOIC14 | MP2483DS | -40°C to +85°C |

* For Tape & Reel, add suffix -Z (e.g. MP2483DQ-Z).
 For RoHS compliant packaging, add suffix -LF (e.g. MP2483DQ-LF-Z)

PACKAGE REFERENCE



Absolute Maximum Ratings ⁽¹⁾

| | |
|--|----------------------|
| Supply Voltage V _{DD} – V _{SS} | 60V |
| V _{SW} – V _{SS} | -0.3V to 60.3V |
| V _{BST} | V _{SW} + 6V |
| V _{EN/Dim} – V _{INGND} | -0.3V to +6V |
| V _{INGND} – V _{SS} | -0.3V to 60V |
| Other pins – V _{SS} | -0.3V to +6V |
| Continuous Power Dissipation (T _A = +25°C) ⁽²⁾ | |
| 3x3 QFN10..... | 2.5W |
| SOIC14..... | 1.4W |
| Junction Temperature..... | 150°C |
| Lead Temperature..... | 260°C |
| Storage Temperature..... | -65°C to +150°C |

Recommended Operating Conditions ⁽³⁾

| | |
|--|-----------------|
| Supply Voltage V _{DD} – V _{SS} | 4.5V to 55V |
| Operating Junct. Temp (T _J)..... | -40°C to +125°C |

Thermal Resistance ⁽⁴⁾

| | θ _{JA} | θ _{JC} |
|----------------|-----------------|-----------------|
| 3x3 QFN10..... | 50 | 12 ... °C/W |
| SOIC14..... | 86 | 38 ... °C/W |

Notes:

- 1) Exceeding these ratings may damage the device.
- 2) The maximum allowable power dissipation is a function of the maximum junction temperature T_J (MAX), the junction-to-ambient thermal resistance θ_{JA}, and the ambient temperature T_A. The maximum allowable continuous power dissipation at any ambient temperature is calculated by P_D (MAX) = (T_J (MAX) - T_A) / θ_{JA}. Exceeding the maximum allowable power dissipation will cause excessive die temperature, and the regulator will go into thermal shutdown. Internal thermal shutdown circuitry protects the device from permanent damage.
- 3) The device function is not guaranteed outside of the recommended operating conditions.
- 4) Measured on JESD51-7, 4-layer PCB.

ELECTRICAL CHARACTERISTICS

$V_{IN} = 12V$, $T_A = +25^\circ C$, all voltages with respect to V_{SS} , unless otherwise noted.

| Parameters | Symbol | Condition | Min | Typ | Max | Units |
|--|-------------------|--|-------|-------|-------|------------|
| Feedback Voltage | V_{FB} | $4.5V \leq V_{IN} \leq 55V$ | 0.188 | 0.198 | 0.208 | V |
| Feedback Current | I_{FB} | $V_{FB} = 0.22V$ | -50 | | 50 | nA |
| Switch-On Resistance ⁽⁵⁾ | $R_{DS(ON)}$ | | | 280 | | m Ω |
| Switch Leakage | | $V_{EN} = 0V$, $V_{SW} = 0V$ | | | 1 | μA |
| Current Limit ⁽⁵⁾ | | | | 3.0 | | A |
| Oscillator Frequency | f_{SW} | $V_{FB} = 0.19V$, $R_{set} = 100k\Omega$ | | 0.5 | | MHz |
| Default Oscillator Frequency | $f_{SW_default}$ | $V_{FB} = 0.19V$, R_{set} open | 1.05 | 1.35 | 1.65 | MHz |
| Fold-back Frequency | | $V_{FB} = 0V$, $V_{OVP} = 0V$ | | 250 | | kHz |
| Maximum Duty Cycle | | $V_{FB} = 0.19V$ | | 90 | | % |
| Minimum On-Time ⁽⁵⁾ | t_{ON} | | | 100 | | ns |
| Under Voltage Lockout Threshold Rising | | | 3 | 3.3 | 3.6 | V |
| Under Voltage Lockout Threshold Hysteresis | | | | 100 | | mV |
| EN Input Current | | $V_{EN} = 2V$ | | 2.1 | | μA |
| EN OFF Threshold (w/Respect to INGND) | | V_{EN} Falling | 0.4 | | | V |
| EN ON Threshold (w/Respect to INGND) | | V_{EN} Rising | | | 0.6 | V |
| Minimum EN Dimming Threshold | | $V_{FB} = 0V$ | 0.6 | 0.7 | 0.8 | V |
| Maximum EN Dimming Threshold | | $V_{FB} = 0.2V$ | 1.25 | 1.4 | 1.5 | V |
| Supply Current (Quiescent) | I_Q | $V_{EN} = 2V$, $V_{FB} = 1V$ | | 0.8 | 1.0 | mA |
| Supply Current (Quiescent) at EN Off | I_{off} | $V_{EN} = 0V$ | | 3.4 | 15 | μA |
| Thermal Shutdown ⁽⁵⁾ | | | | 150 | | $^\circ C$ |
| Open LED OV Threshold | V_{OVP_th} | | 1.1 | 1.2 | 1.3 | V |
| Open LED OV Hysteresis | V_{OVP_hys} | | | 60 | | mV |

Notes:

5) Guaranteed by design.

PIN FUNCTIONS

| QFN3 x 3 Pin # | SOIC14 | Name | Description |
|-------------------|----------|--------|--|
| 1 | 2 | VDD | Supply Voltage. The MP2483 operates from a +4.5V to +55V unregulated input (with respect to VSS). C1 is needed to prevent large voltage spikes from appearing at the input. |
| 2 | 3 | VSS | Power Return Pin. Connect to the lowest potential in the circuit, which is typically the anode of the Schottky rectifier. This pin is the voltage reference for the regulated output voltage. For this reason care must be taken in its layout. This node should be placed outside of the D1 to C1 ground path to prevent switching current spikes from inducing voltage noise into the part. The exposed pad is also connected to this pin. |
| 3 | 4 | OVP | Over Voltage Protection Pin. Use a voltage divider to program OVP threshold. When the OVP pin voltage reaches the shutdown threshold 1.2V, the switch will be turned off and will recover when OVP voltage decreases sufficiently. When the OVP pin voltage (with respect to VSS) is lower than 0.4V and FB pin voltage is lower than 0.1V, the chip recognizes this as short circuit condition and the operating frequency will be folded back. Program the OVP pin voltage from 0.4V to 1.2V for normal operation. |
| 4 | 5 | FB | LED Current Feedback Input. MP2483 regulates the voltage across the current sensing resistor between FB and VSS. Connect the current sensing resistor from the bottom of the LED strings to VSS. The FB pin is connected to the bottom of the LED strings. The regulation voltage is 0.198V. |
| 5 | 6 | COMP | Output of Error Amplifier. Connect a 1nF or larger capacitor on COMP to improve the stability and to provide a soft on at start up and PWM dimming. |
| 6 | 9 | RSET | Frequency Set Pin. Connect a resistor to VSS to set the switching frequency and an 1nF capacitor to VSS to bypass the noise. Leaving this pin open gets a default operating frequency 1.35MHz. |
| 7 | 10 | EN/DIM | On/Off Control Input and Dimming Command Input. A voltage greater than 0.6V will turn on the chip. Both DC and PWM dimming are implemented on this pin. When the EN/DIM pin voltage (with respect to INGND) rises from 0.7V to 1.4V, the LED current will change from 0% to 100% of the maximum LED current. To use PWM dimming, apply a 100Hz to 2kHz square wave signal with amplitude greater than 1.4V to this pin. |
| 8 | 11 | INGND | Input Ground Reference. This pin is the reference for the EN/DIM signal. |
| 9 | 12 | BST | Bootstrap. A capacitor is connected between SW and BST pin to form a floating supply across the power switch driver. A 100nF or larger ceramic capacitor is recommended to provide sufficient energy to drive the power switch's gate above the supply voltage. |
| 10 | 13 | SW | Switch Output. SW is the source of the internal MOSFET switch. Connect this pin to the power inductor and the cathode of the Schottky rectifier. |
| | 1,7,8,14 | NC | No Connection. |
| | | | Exposed pad should be connected to VSS in step up/down mode. |

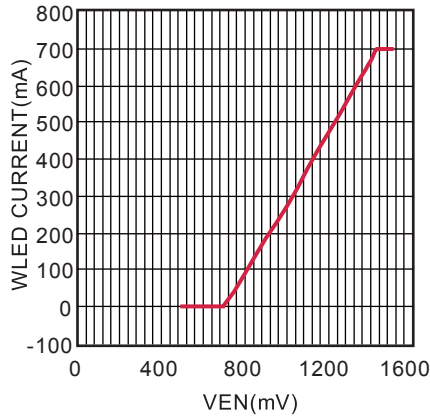
TYPICAL PERFORMANCE CHARACTERISTICS

$V_{IN}=20V$, $I_{LED}=0.7A$, two 3W LED in series, step down application, unless otherwise noted.

WLED current vs Dimming Duty



WLED Current vs VEN



Ipeak vs. Duty



Efficiency vs. Input Voltage



TYPICAL PERFORMANCE CHARACTERISTICS (continued)
 $V_{IN}=20V$, $I_{LED}=0.7A$, two 3W LED in series, step down application, unless otherwise noted.

Steady State

PWM Dimming

EN on

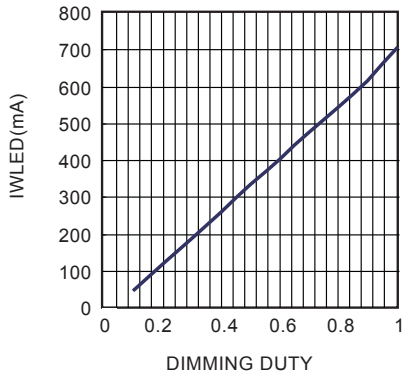
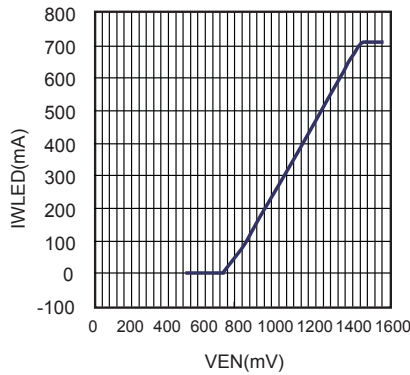
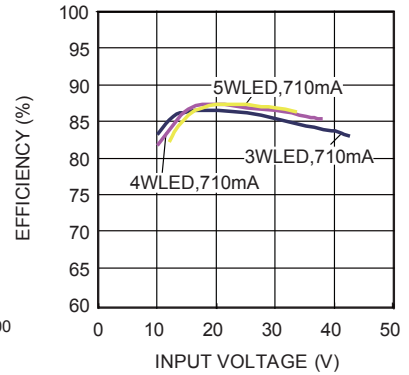
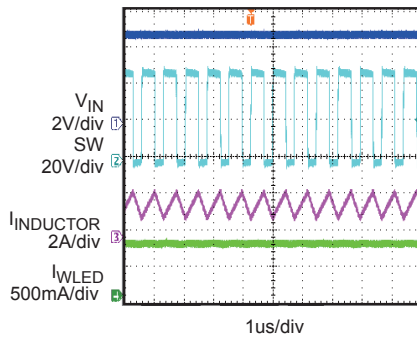
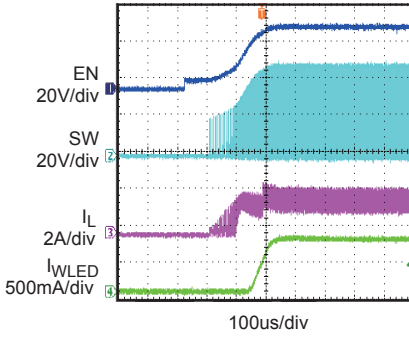
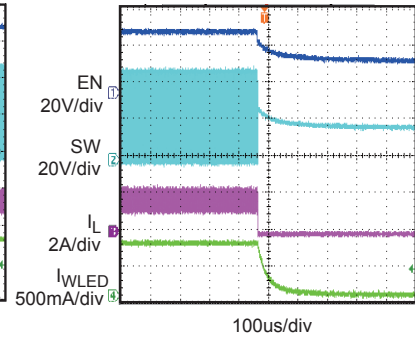
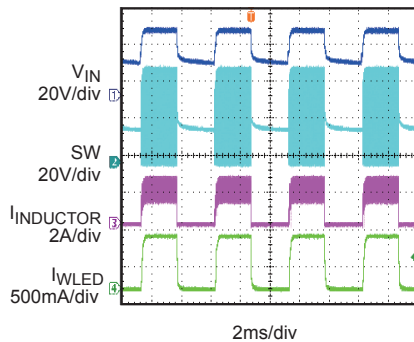
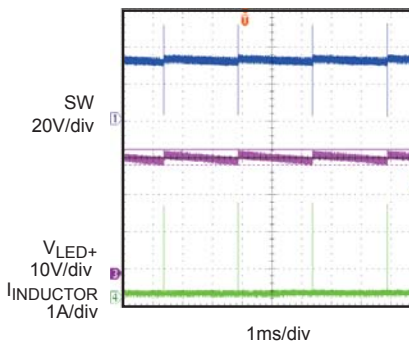
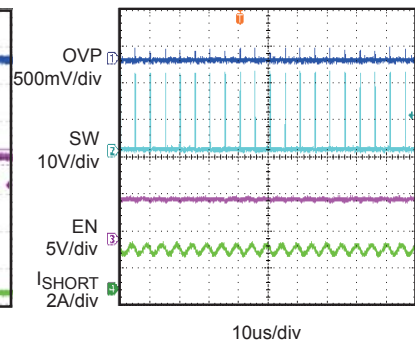
EN off

Open LED Protection

Short Circuit Protection (short LED+ to INGND)


TYPICAL PERFORMANCE CHARACTERISTICS (continued)

$V_{IN}=20V$, $I_{LED}=0.7A$, seven 3W LED in series, Buck-boost application, referred to VSS, unless otherwise noted

IWLED vs Dimming Duty

IWLED vs VEN

Efficiency vs. Input Voltage

Steady state

EN on

EN off

PWM dimming

Open LED Protection

Short Circuit Protection (short LED + to VSS)


FUNCTIONAL BLOCK DIAGRAM

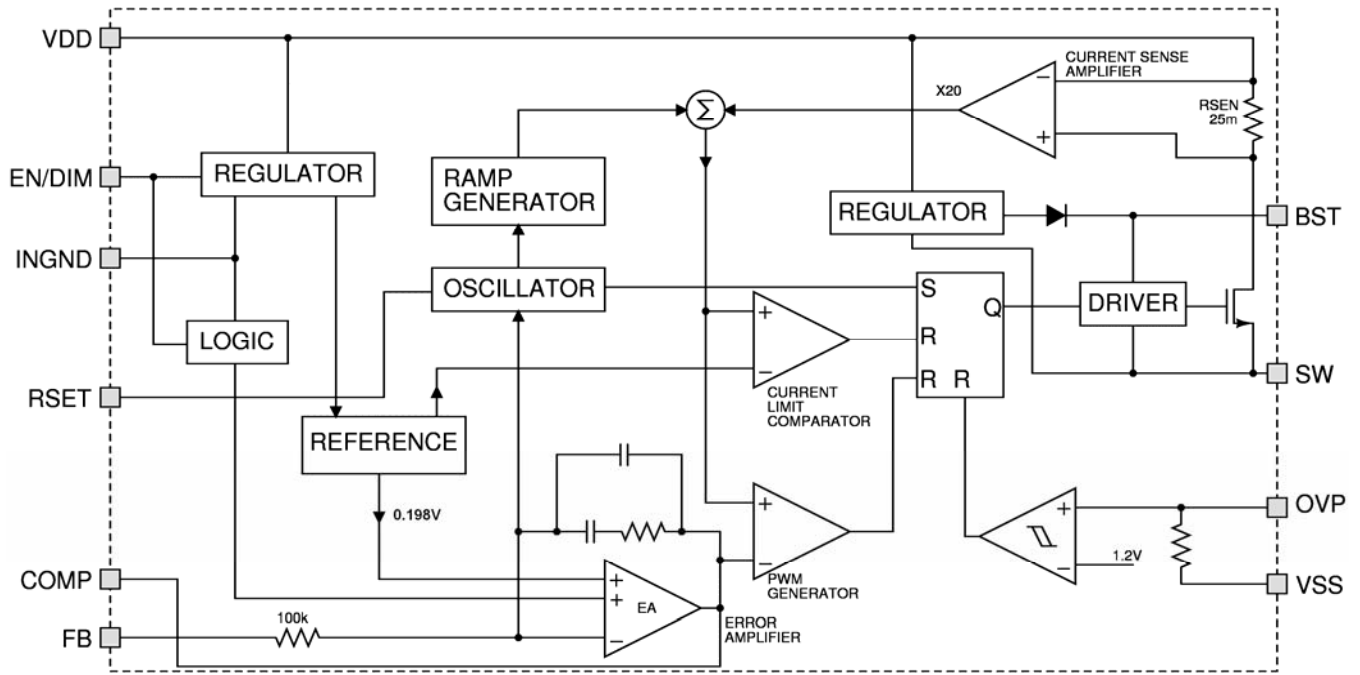


Figure 1—Functional Block Diagram

OPERATION

The MP2483 is a current mode regulator. The EA output voltage is proportional to the peak inductor current.

At the beginning of a cycle, M1 is off. The EA output voltage is higher than the current sense amplifier output, and the current comparator's output is low. The rising edge of the 1.35MHz CLK signal sets the RS Flip-Flop. Its output turns on M1 thus connecting the SW pin and inductor to the input supply.

The increasing inductor current is sensed and amplified by the Current Sense Amplifier. Ramp compensation is summed to the Current Sense Amplifier output and compared to the Error Amplifier output by the PWM Comparator. When the sum of the Current Sense Amplifier output and the Slope Compensation signal exceeds the EA output voltage, the RS Flip-Flop is reset and M1 is turned off. The external Schottky rectifier diode (D1) conducts the inductor current.

If the sum of the Current Sense Amplifier output and the Slope Compensation signal does not exceed the EA output for a whole cycle, then the falling edge of the CLK resets the Flip-Flop.

The output of the Error Amplifier integrates the voltage difference between the feedback and the 0.198V reference. The polarity is a FB pin voltage lower than 0.198V increases the EA output voltage. Since the EA output voltage is proportional to the peak inductor current, an increase in its voltage also increases the current delivered to the output.

Open LED Protection

If the LED is open, there is no voltage on the FB pin. The duty cycle will increase until OVP-VSS reaches the shutdown threshold set by the external resistor divider. The top switch will be turned off till the voltage OVP-VSS decreases sufficiently.

Dimming Control

The MP2483 allows both DC and PWM dimming. When the voltage on EN is less than 0.6V, the chip is turned off. For analog dimming, when the voltage on EN is from 0.7V to 1.4V, the LED current will change from 0% to 100% of the maximum LED current. If the voltage on EN pin is higher than 1.4V, maximum LED current will be generated. For PWM dimming, its amplitude (VDIM – VINGND) must exceed 1.4V. The PWM frequency is recommended in range of 100Hz to 2kHz to get a good dimming linearity.

Output Short Circuit Protection

The MP2483 integrates output short circuit protection. When the output is shorted to VSS, the voltage on OVP pin which detects the output voltage gets smaller than 0.4V, and FB pin senses no voltage (<0.1V) as no current goes through the WLED. At this condition, the operating frequency is folded back to decrease the power consumption.

In Buck-boost application, when there is possibility that the LED+ short circuit to VSS, it is recommended to add a diode from VSS to INGND to protect the IC, as shown in below Figure 2 .



Figure 2—Buck-boost Application When LED+ Possibly Short to VSS

APPLICATION INFORMATION

Setting the LED Current

The external resistor is used to set the maximum LED current (see the schematic on front page) through the use of the equation:

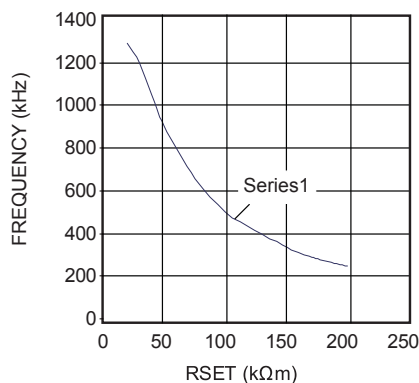
$$R_{\text{SENSE}} = \frac{0.198\text{V}}{I_{\text{LED}}}$$

Setting the Operating Frequency

The resistor on RSET pin is used to set the operating frequency. A 1nF capacitor is recommended to bypass this pin to GND.

The relationship between the operating frequency and the RSET resistor is as the following curve. A 20kΩ to 150kΩ RSET resistor is recommended, which sets the operating frequency from around 1.3MHz to 350kHz. Leaving the RSET pin open will set the operating frequency to the default operating frequency 1.35MHz.

Frequency vs. RSET



Selecting the Inductor

(Step-Down Applications, see Figure 3)

A 1μH to 47μH inductor with a DC current rating of at least 25% percent higher than the maximum load current is recommended for most applications. For high efficiency, the inductor's DC resistance should be less than 200mΩ. Refer to Table 2 for suggested surface mount inductors. For most designs, the required inductance value can be derived from the following equation.

$$L = \frac{V_{\text{OUT}} \times (V_{\text{IN}} - V_{\text{OUT}})}{V_{\text{IN}} \times \Delta I_L \times f_{\text{SW}}}$$

Where ΔI_L is the inductor ripple current.

Choose the inductor ripple current to be 30% of the maximum load current. The maximum inductor peak current is calculated from:

$$I_{L(\text{MAX})} = I_{\text{LOAD}} + \frac{\Delta I_L}{2}$$

Under light load conditions below 100mA, a larger inductance is recommended for improved efficiency.

Also note that the maximum recommended load current is 2A if the duty cycle exceeds 35%.

Selecting the Input Capacitor

The input capacitor reduces the surge current drawn from the input supply and the switching noise from the device. The input capacitor impedance at the switching frequency should be less than the input source impedance to prevent high frequency switching current from passing through the input. Ceramic capacitors with X5R or X7R dielectrics are highly recommended because of their low ESR and small temperature coefficients. For most applications, a 4.7μF capacitor is sufficient.

Selecting the Output Capacitor

The output capacitor keeps the output voltage ripple small and ensures feedback loop stable. The output capacitor impedance should be low at the switching frequency. Ceramic capacitors with X5R or X7R dielectrics are recommended for their low ESR characteristics. For most applications, a 2.2μF ceramic capacitor is sufficient.

PC Board Layout

The high current paths (VSS, VDD and SW) should be placed very close to the device with short, direct and wide traces. The input capacitor needs to be as close as possible to the VDD and VSS pins. The external feedback resistors should be placed next to the FB pin. Keep the switch node traces short and away from the feedback network.

Table 2—Suggested Surface Mount Inductors

| Manufacturer | Part Number | Inductance(μH) | Max DCR(Ω) | Current Rating (A) | Dimensions L x W x H (mm ³) |
|--------------|----------------------|-----------------------------|---------------------|--------------------|---|
| Toko | DS84LC-B1015AS-4R7N | 4.7 | 0.038 | 3.8 | 8.2*8.1*3.7 |
| Cooper | DR73-4R7-R | 4.7 | 0.0297 | 3.78 | 7.35*7.35*3.3 |
| TDK | SLF7055T-4R7N3R1-3PF | 4.7 | 0.028 | 3.6 | 7.1*7.3*5.5 |

TYPICAL APPLICATION CIRCUITS

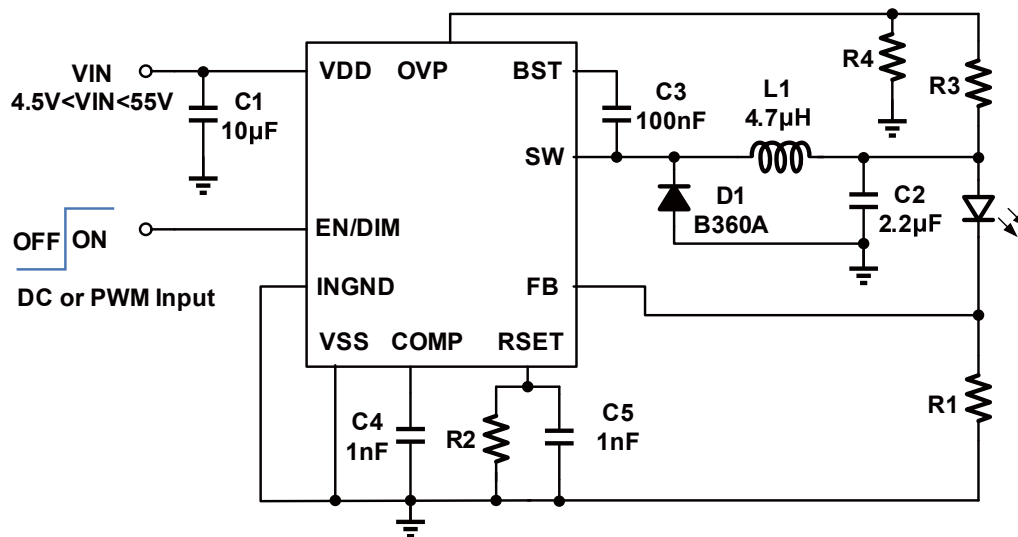


Figure 3—Step-Down White LED Driver Application



Figure 4— Step-up/down White LED Driver Application



Figure 5— Step-up White LED Driver Application

PACKAGE INFORMATION

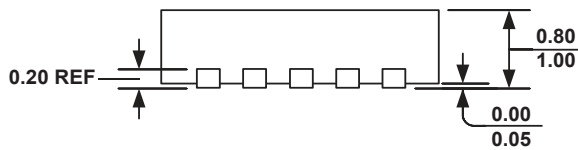
3mm x 3mm QFN10



TOP VIEW



BOTTOM VIEW

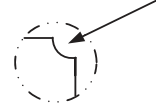


SIDE VIEW

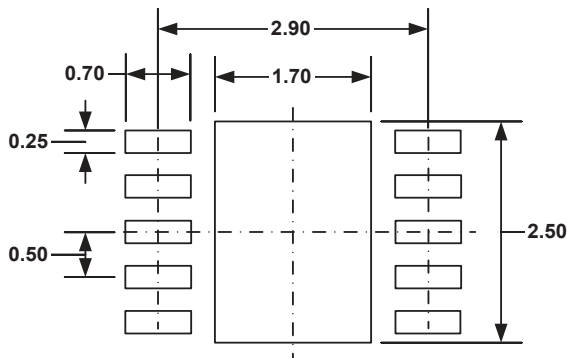
PIN 1 ID OPTION A
R0.20 TYP.



PIN 1 ID OPTION B
R0.20 TYP.



DETAIL A



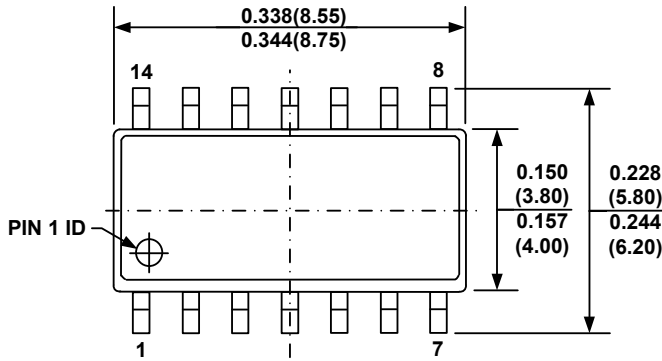
RECOMMENDED LAND PATTERN

NOTE:

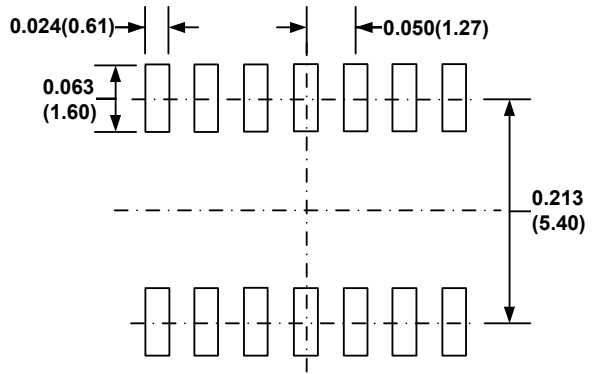
- 1) ALL DIMENSIONS ARE IN MILLIMETERS.
- 2) EXPOSED PADDLE SIZE DOES NOT INCLUDE MOLD FLASH.
- 3) LEAD COPLANARITY SHALL BE 0.10 MILLIMETER MAX.
- 4) DRAWING CONFORMS TO JEDEC MO-229, VARIATION VEED-5.
- 5) DRAWING IS NOT TO SCALE.

PACKAGE INFORMATION

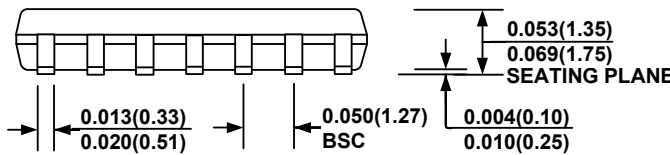
SOIC14



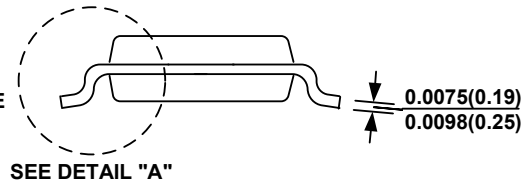
TOP VIEW



RECOMMENDED LAND PATTERN



FRONT VIEW



SIDE VIEW



DETAIL "A"

NOTE:

- 1) CONTROL DIMENSION IS IN INCHES. DIMENSION IN BRACKET IS IN MILLIMETERS.
- 2) PACKAGE LENGTH DOES NOT INCLUDE MOLD FLASH, PROTRUSIONS OR GATE BURRS.
- 3) PACKAGE WIDTH DOES NOT INCLUDE INTERLEAD FLASH OR PROTRUSIONS.
- 4) LEAD COPLANARITY (BOTTOM OF LEADS AFTER FORMING) SHALL BE 0.004" INCHES MAX.
- 5) DRAWING CONFORMS TO JEDEC MS-012, VARIATION AB.
- 6) DRAWING IS NOT TO SCALE.

NOTICE: The information in this document is subject to change without notice. Users should warrant and guarantee that third party Intellectual Property rights are not infringed upon when integrating MPS products into any application. MPS will not assume any legal responsibility for any said applications.