

DESCRIPTION

The MP4572 is a fully-integrated, fixed-frequency synchronous step-down converter. It can achieve up to 2A continuous output current with peak current control for excellent transient response.

The wide 4.5V to 60V input voltage range accommodates a variety of step down applications in automotive input environment. And 2 μ A shutdown mode quiescent current allows use in battery-powered applications.

The MP4572 integrates internal high-side and low-side power MOSFETs for high efficiency without an external schottky diode and is available in a 12-pin QFN package. With internal compensation, the MP4572 can offer a very compact solution with a minimum number of readily available standard external components.

The MP4572 employs AAM (Advanced Asynchronous Modulation) mode which helps achieve high efficiency during light load by scaling down the frequency to reduce the switching and gate driver losses.

The MP4572 offers standard features, including built-in soft-start, enable control and power good indicator. High-duty cycle and low drop-out mode are provided for the automotive cold crank condition. In addition, the chip provides over-current protection with valley current detection which is used to avoid current running away. Also it has hiccup short-circuit protection, input under-voltage lockout and auto recovery thermal protection.

FEATURES

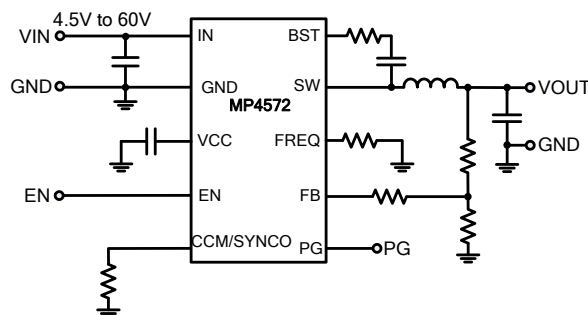
- Wide 4.5V to 60V Operating Input Range
- 2A Continuous Output current
- High Efficiency Synchronous Mode Control
- 250m Ω /45m Ω Internal Power MOSFETs
- Programmable Frequency up to 2.2MHz
- 180° Out of Phase SYNC Out Clock
- 40 μ A Quiescent Current
- Low Shutdown Mode Current: 2 μ A
- FB-Tolerance: 1% at Room Temp;
2% at Full Temp
- Selectable AAM or Forced CCM Operation Option at Light Load
- Internal 0.45ms Soft-Start
- Remote EN Control
- Power Good Indicator
- Low Drop-out Mode
- Over-Current Protection
- Short-Circuit Protection with Hiccup Mode
- VIN Under-Voltage Lockout
- Thermal Shutdown
- Available in a QFN-12 (2.5mmx3mm) package

APPLICATIONS

- Industrial Power Systems
- Automotive Systems
- Battery-Powered Equipment
- Distributed Power and POL Systems
- Printers and Scanners

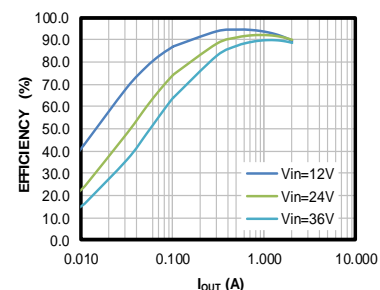
All MPS parts are lead-free, halogen-free, and adhere to the RoHS directive. For MPS green status, please visit the MPS website under Quality Assurance. "MPS", the MPS logo, and "Simple, Easy Solutions" are trademarks of Monolithic Power Systems, Inc. or its subsidiaries.

TYPICAL APPLICATION



Efficiency vs. Load Current

V_{OUT}=5V, L=15 μ H, F_{sw}=400kHz



ORDERING INFORMATION

Part Number*	Package	Top Marking	MSL Rating***
MP4572GQB**	QFN-12 (2.5mmx3mm)	See Below	1

* For Tape & Reel, add suffix -Z (e.g. MP4572GQB-Z)

** Under Qualification

*** Moisture Sensitivity Level Rating

TOP MARKING

—
AVN
YWW
LLL

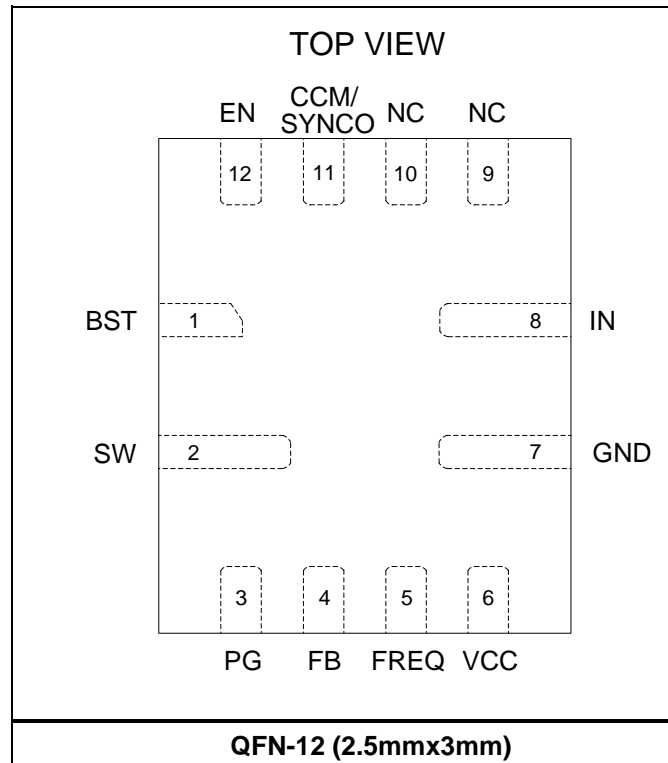
AVN: product code of MP4572GQB

Y: year code

WW: week code

LLL: lot number

PACKAGE REFERENCE



NOTICE: The information in this document is subject to change without notice. Please contact MPS for current specifications. Users should warrant and guarantee that third party Intellectual Property rights are not infringed upon when integrating MPS products into any application. MPS will not assume any legal responsibility for any said applications.