

## DESCRIPTION

The EV3394EF-00A is an evaluation board for the MP3394EF, a step-up converter designed for liquid-crystal displays that employ an array of LEDs as the light source. It can drive up to 4 strings LEDs in parallel with 200mA/string maximum current.

The MP3394 uses external power MOSFET and internal current mode, fixed frequency architecture and includes current ballast in each string terminal, which achieves 2.5% current regulation accuracy between strings. Low feedback voltage at each LED string help reduce power loss and improve efficiency.

The MP3394 has multiple features to protect the converter from fault conditions, including under-voltage lockout, current limiting, over voltage, short LED, open LED and thermal shut-down protection.

## ELECTRICAL SPECIFICATIONS

Parameter	Symbol	Value	Units
Input Voltage	$V_{IN}$	8 – 28	V
LEDs #		4 LED string 12 LEDs/string	
LED Current	$I_{LED}$	120/string	mA

## FEATURES

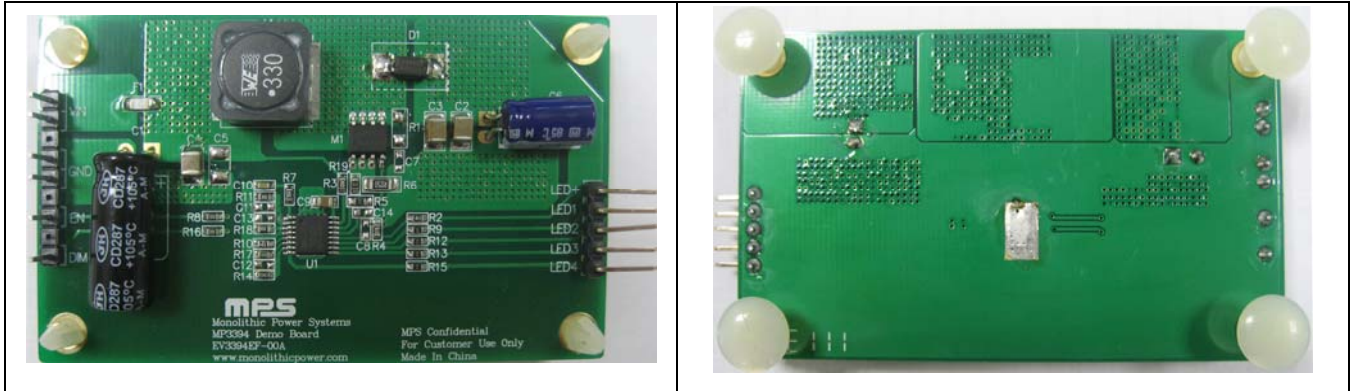
- 4 String, Max 200mA/String WLED Driver
- 8V to 28V Input Voltage Range
- 2.5% Current Matching Accuracy Between Strings
- Programmable Switching Frequency
- PWM or DC Input Burst PWM Dimming
- Open and Short LED Protection
- Programmable Over-Voltage Protection
- Cascading Capability with a Single Power Source
- Under Voltage Lockout
- Thermal Shutdown

## APPLICATIONS

- Notebook PC
- LCD Monitor
- LCD TV
- Handy Terminals Display
- Automotive Systems and Tablet Computer

All MPS parts are lead-free and adhere to the RoHS directive. For MPS green status, please visit MPS website under Quality Assurance. "MPS" and "The Future of Analog IC Technology" are Registered Trademarks of Monolithic Power Systems, Inc.

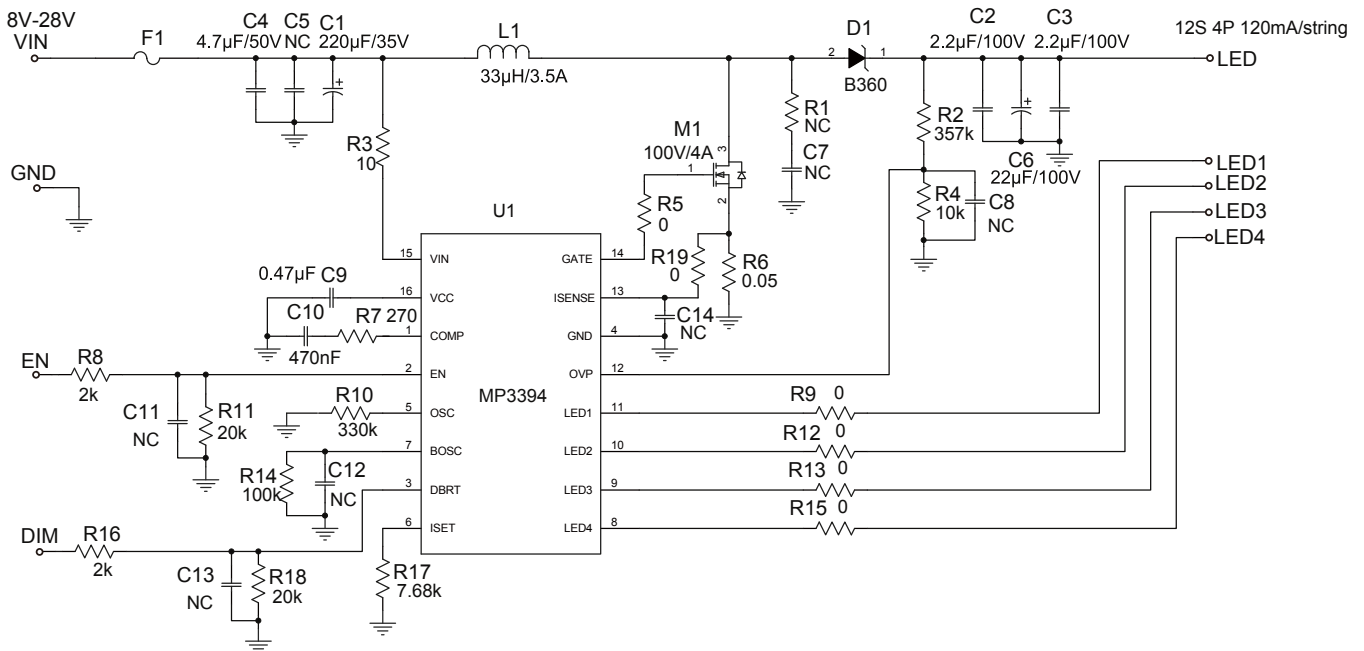
### EV3394EF-00A EVALUATION BOARD



(L x W x H) 7.8cm x 4.65cm x 1.0cm

Board Number	MPS IC Number
EV3394EF-00A	MP3394EF

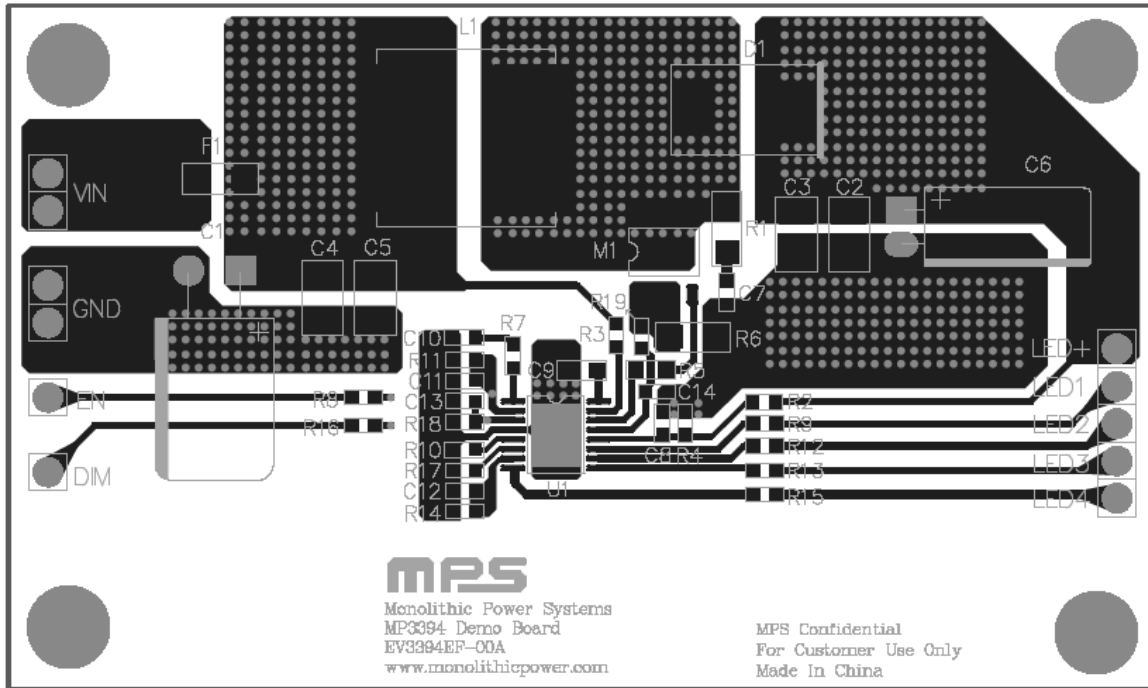
### EVALUATION BOARD SCHEMATIC



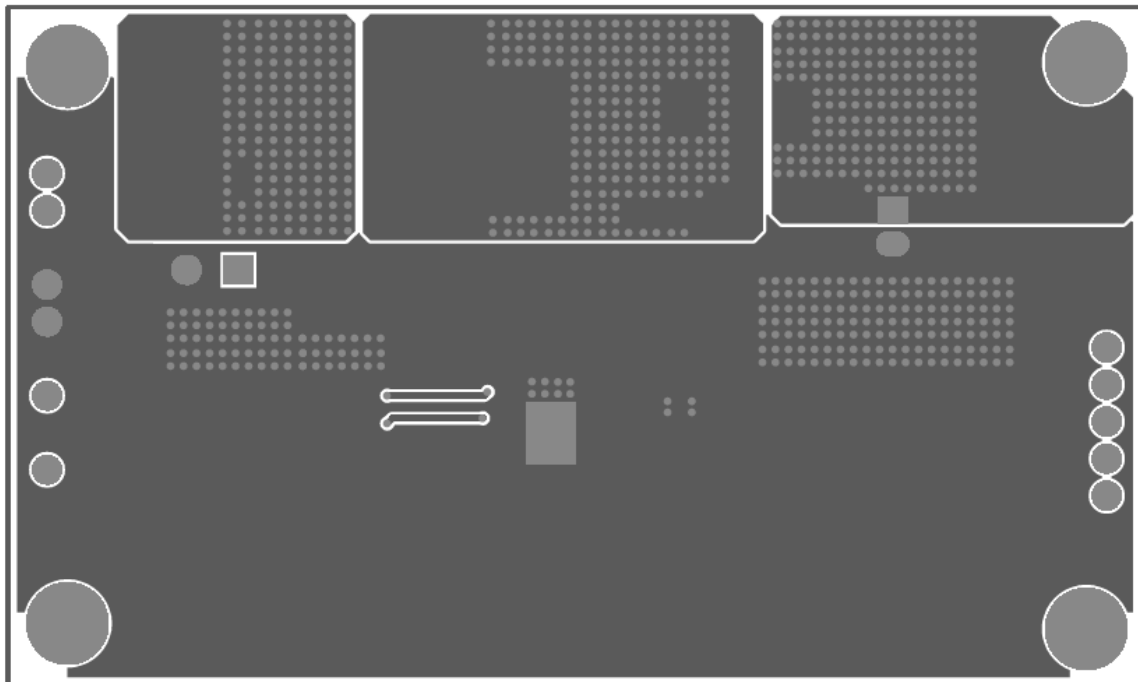
**EV3394EF-00A BILL OF MATERIALS**

Qty	Ref	Value	Description	Package	Manufacturer	Part Number
1	C11	220 $\mu$ F	Electrolytic Capacitor, 35V			
2	C2,C3	2.2 $\mu$ F	Ceramic Capacitor, 100V, X7R	1210	Murata	GRM32ER71H225KA88L
1	C4	4.7 $\mu$ F	Ceramic Capacitor, 50V, X7R	1210	Murata	GRM32ER71H475KA88L
1	C5	NC		1210		
1	C6	22 $\mu$ F	Electrolytic Capacitor, 100V			
6	C7,C8, C11~C14	NC		0603		
1	C9	0.47 $\mu$ F	Ceramic Capacitor, 50V, X7R	0603	Murata	GRM1885C1H474JA01D
1	C10	470nF	Ceramic Capacitor, 50V, X7R	0603	Murata	GRM188R71H474KA93D
1	D1		Diode Schottky, 60V, 3A	SMA	Diodes Inc	B360
1	F1	0 $\Omega$	Fuse, 2A, 63V	1206	Cooper	3216FF2-R
1	L1	33 $\mu$ H	Inductor, 3.5A	SMD		
1	M1	22 $\mu$ H	Inductor, 3.5A	SMD		
			N- channel MOSFET	SO8		AM4490N
1	R1	NC		0603		
1	R2	357k $\Omega$	Resistor, 1%	0603	Yageo	RC0603FR-07357KL
1	R3	10 $\Omega$	Resistor, 1%	0603	Yageo	RC0603FR-0710RL
1	R4	10k $\Omega$	Resistor, 1%	0603	Yageo	RC0603FR-0710KL
6	R5,R9, R12,R13, R15,R19	0 $\Omega$	Resistor, 1%	0603	Yageo	
1	R6	0.05 $\Omega$	Current Resistor, 1%	1206		
1	R7	270 $\Omega$	Resistor, 1%	0603	Yageo	RC0603FR07270RL
2	R8, R16	2k $\Omega$	Resistor, 1%	0603	Yageo	RC0603FR-072KL
1	R10	330k $\Omega$	Resistor, 1%	0603	Yageo	RC0603FR-07330KL
2	R11, R18	20k $\Omega$	Resistor, 1%	0603	Yageo	RC0603FR-0720KL
1	R14	100k $\Omega$	Resistor, 1%	0603	Yageo	RC0603FR-07100KL
1	R17	7.68k $\Omega$	Resistor, 1%	0603	Yageo	RC0603FR-077K68L
1	U1		LED Driver IC	TSSOP16	MPS	MP3394EF

**PRINTED CIRCUIT BOARD LAYOUT**



**Figure 1—Top Layer**



**Figure 2—Bottom Layer**

## QUICK START GUIDE

1. Connect the positive and negative terminals of the load panel (12 white LEDs in series, 4 strings) to the LED+ and LED1-4 pins on the EV board, respectively.
2. Connect the positive and negative terminals of the power supply (8V-28V) to the VIN and GND pins on the EV board, respectively.
3. Drive EN pin high (5V) to enable the MP3394.
4. For PWM dimming, apply a PWM rectangular waveform with a minimum voltage less than 0.5V and a maximum greater than 1.2V on DIM pin. The frequency of the PWM signal is recommended between 100Hz to 20kHz.

**NOTICE:** The information in this document is subject to change without notice. Users warrant and guarantee that third party Intellectual Property rights are not infringed upon when integrating MPS products into any application. MPS will not assume any legal responsibility for any said applications.