



The Future of Analog IC Technology®

EV26029-Q-00A

Evaluation Board of 1A Linear Charger for SingleCell Li-Ion Battery

DESCRIPTION

The EV26029-Q-00A is an evaluation board for the MP26029GQ, a highly-integrated single-cell Li-Ion/Li-Polymer battery charger with thermal regulation. It takes input from either AC adapter or USB port to charge the battery. The charger section features pre charge, high-accuracy constant current (CC, up to 1A) and constant voltage (CV) regulation, charge termination and auto-recharge.

ELECTRICAL SPECIFICATION

Parameter	Symbol	Value	Units
Input Voltage	V _{IN}	4.35 – 5.50	V
Charge Current	I _{CC}	30 - 1000	mA
Battery Voltage	V _{BATT}	4.2	V

FEATURES

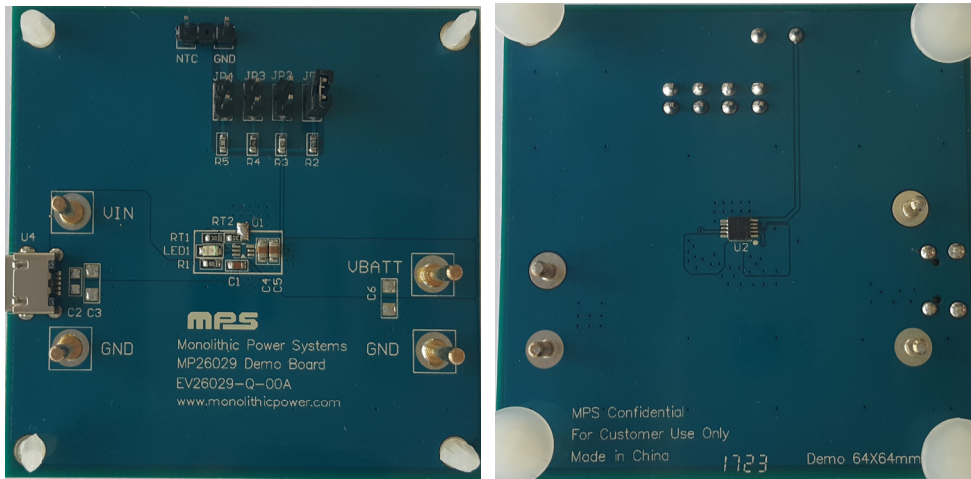
- Fully Autonomous Charger for Single-Cell Li-ion/Polymer Batteries
- Programmable Charge Current: **30mA** to 1A
- 0.5% Charging Voltage Accuracy
- 13V Maximum Voltage for the Input Source
- Fully Integrated Power Switches and No External Blocking Diode Required
- Built-in Robust Charging Protection Including Battery Temperature Monitor and Safety Timer
- Thermal Limiting Regulation on Chip

APPLICATIONS

- Smart Handheld Devices
- Digital Cameras, Bluetooth
- Toys

All MPS parts are lead-free, halogen free, and adhere to the RoHS directive. For MPS green status, please visit MPS website under Quality Assurance. "MPS" and "The Future of Analog IC Technology" are Registered Trademarks of Monolithic Power Systems, Inc.

EV26029-Q-00A EVALUATION BOARD

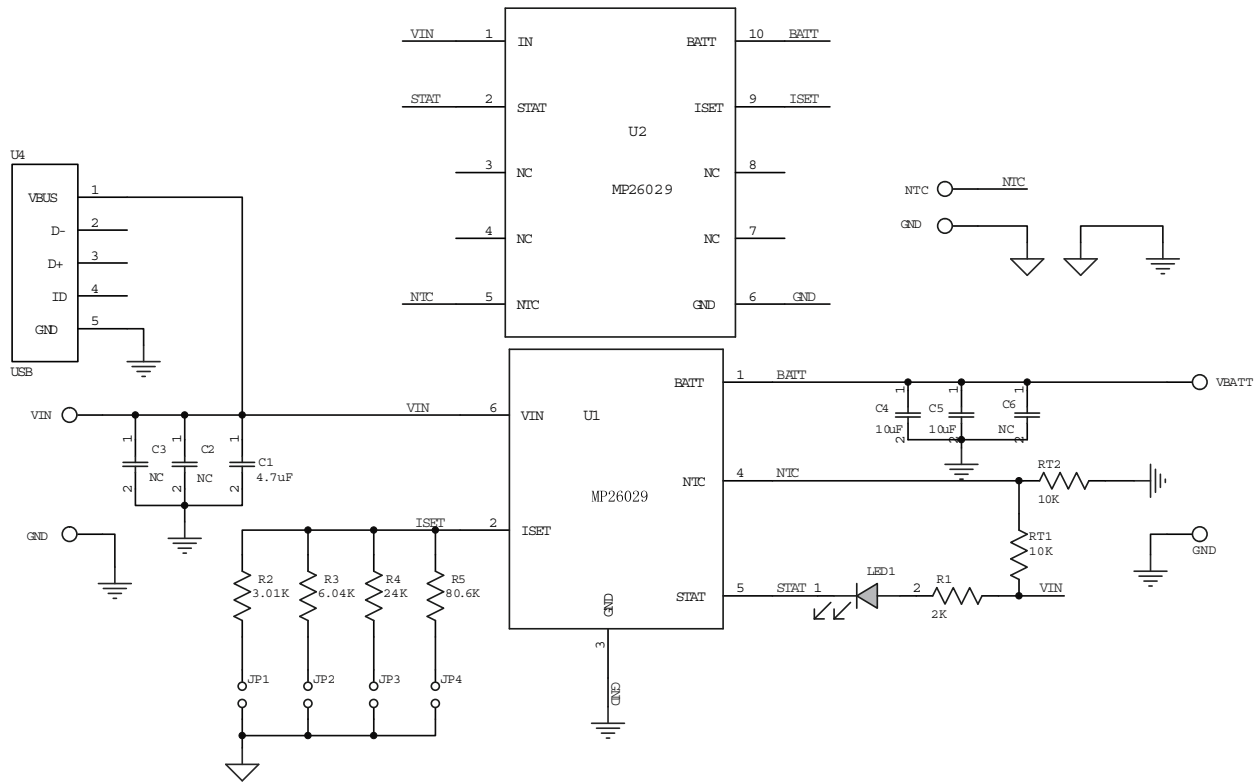


(L x W x H) 2.5" x2.5"x 0.063"
(6.35cm x 6.35cm x 0.16cm)

Board Number	MPS IC Number
EV26029-Q-00A	MP26029GQ-xxxx*

*: "xxxx" is the register setting option. The factory default is "0000". For customer options, please contact an MPS FAE to obtain a "XXXX" value.

EVALUATION BOARD SCHEMATIC



EV26029-Q-00A BILL OF MATERIALS

Qty	Ref	Value	Description	Package	Manufacturer P/N
1	C1	4.7µF	Ceramic Capacitor;25V;X6S;0603;	0603	GRM188C81E475KE11D
1	C2	NC	Ceramic Capacitor;25V;X7R;0805;	0805	GRM21BR71E225KA73L
2	C3, C6	NC	Ceramic Capacitor;25V;X7R;1206	1206	GRM31CR71E475KA88L
2	C4, C5	10µF	Ceramic Capacitor;10V;X7R;0805;	0805	GRM21BR71A106ME51L
1	LED1	BL-HUF35A-TRB	LED;RED;	0805	BL-HUF35A-TRB
1	R1	2k	Film Resistor;1%;	0603	RC0603FR-072KL
1	R2	3.01k	Film Resistor;1%;	0603	RC0603FR-073K01L
1	R3	6.04k	Film Resistor;1%	0603	RC0603FR-076K04L
1	R4	24k	Film Resistor;1%;	0603	RC0603FR-0724KL
1	R5	80.6k	Film Resistor;1%;	0603	RC0603FR-0780K6L
2	RT1, RT2	10k	Film Resistor;1%;	0603	RC0603FR-0710KL
1	U1	NC	MP26029GTF-xxxx	SOT563	MP26029GTF-xxxx
1	U2		MP26029GQ-xxxx	QFN10/3X3	MP26029GQ-xxxx
1	U4		Micro-B USB connector;		

PRINTED CIRCUIT BOARD LAYOUT

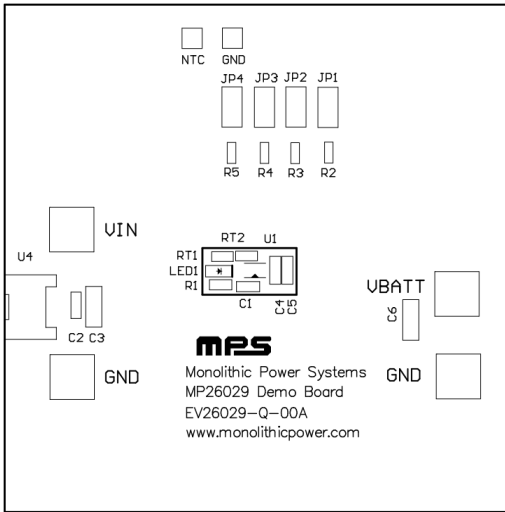


Figure 1—Top Silk Layer

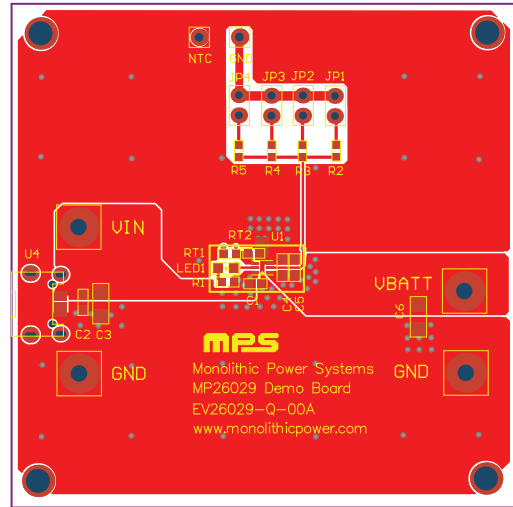


Figure 2—Top Layer

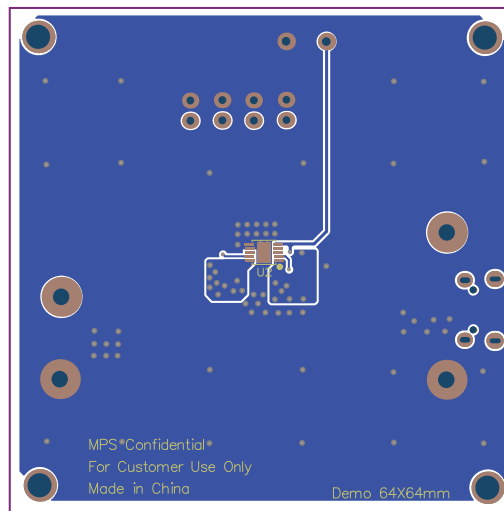


Figure 3—Bottom Layer

QUICK START GUIDE

This board is designed for MP26029 which is a standalone 1A linear Li-Ion battery charger with thermal regulation. The BATT output voltage on this board is preset to 4.2V for 1 cell Li-Ion battery. The board layout accommodates most commonly used capacitors.

The LED is a fault and charge indicator. The status of STAT pin in different cases is shown in below table:

Charging State	STAT
In Charging	LOW
Charging complete	HIGH
Charging Suspend ,fault	Blinking at 1Hz

Set the charge current I_{CC} using the jumpers JP1, JP2, JP3 and JP4 per the following table:

JP	JP1	JP2	JP3	JP4
I_{CC}	1006mA	484mA	114mA	32mA

1. Attach the positive and negative ends of the battery to the BATT and GND pins, respectively.
2. Attach the input voltage ($V_{IN}=5V$) and the input ground to the VIN and GND pins, respectively.

❖Notes❖

1. For the other detailed description on the operation of this part, please contact local FAE to apply the latest datasheet

NOTICE: The information in this document is subject to change without notice. Please contact MPS for current specifications. Users should warrant and guarantee that third party Intellectual Property rights are not infringed upon when integrating MPS products into any application. MPS will not assume any legal responsibility for any said applications.