

## DESCRIPTION

The EV2259DJ-00B is the evaluation board for the MP2259, a monolithic non-synchronous step-down switch mode converter with an integrated power MOSFET.

The MP2259 achieves 1.0A continuous output current over a wide input supply range with excellent load and line regulation.

Current mode operation provides fast transient response and eases loop stabilization.

Fault condition protection includes cycle-by-cycle current limiting and thermal shutdown.

The MP2259 is available in TSOT23-6 and SOT23-6 packages.

## ELECTRICAL SPECIFICATIONS

Parameter	Symbol	Value	Units
Input Voltage	$V_{IN}$	4.5 – 16	V
Output Voltage	$V_{OUT}$	3.3	V
Output Current	$I_{OUT}$	1	A

## FEATURES

- 1.0A Output Current
- Wide 4.5V to 16V Operating Input Range
- Output Adjustable from 0.8V to 14V
- Fully Assembled and Tested

## APPLICATIONS

- Cable Set-Top Box/Digital Video Recorders
- xDSL Modems/Routers
- Pre-Regulator for Linear Regulators

"MPS" and "The Future of Analog IC Technology", are Trademarks of Monolithic Power Systems, Inc.

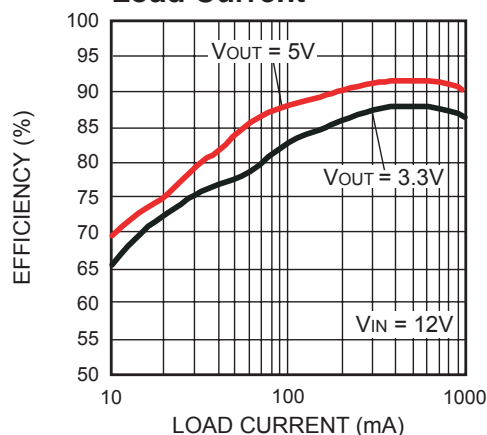
## EV2259DJ-00B EVALUATION BOARD



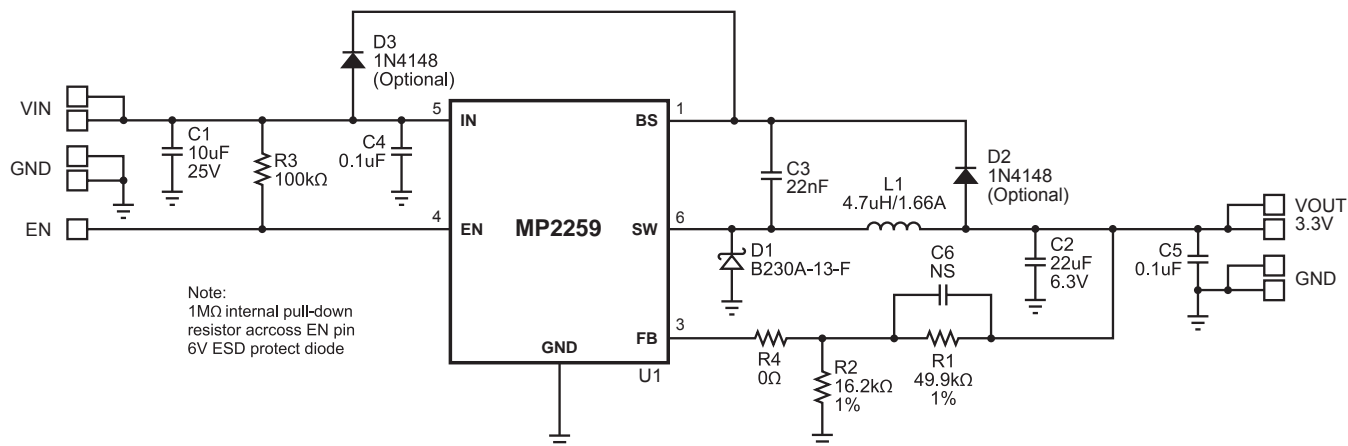
(L x W x H) 2.1" x 1.9" x 0.4"  
(5.3cm x 4.8cm x 1.0cm)

Board Number	MPS IC Number
EV2259DJ-00B	MP2259DJ

**Efficiency vs Load Current**



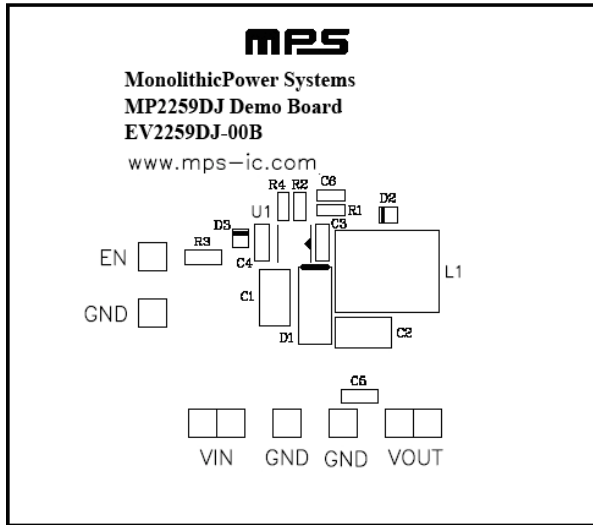
## EVALUATION BOARD SCHEMATIC



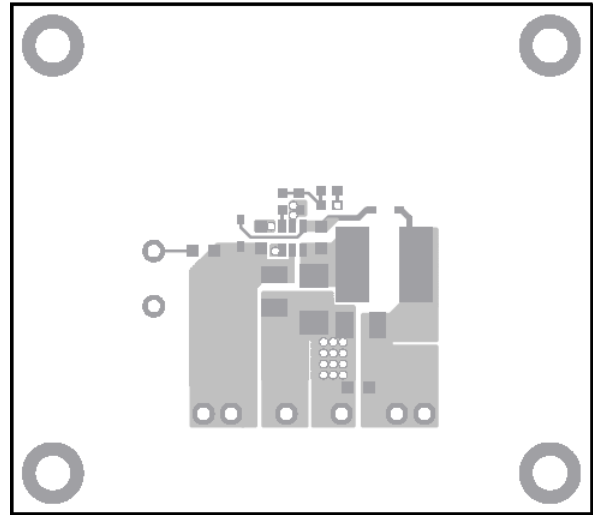
## EV2259DJ-00B BILL OF MATERIALS

Qty	Ref	Value	Description	Package	Manufacturer	Manufacturer P/N
2	C4, C5	0.1µF	Ceramic Capacitor, 50V, X7R	0603	TDK	C1608X7R1H104K
1	C1	10µF	Ceramic Capacitor, 25V, X5R	1206	Murata	GRM31CR61E106KA12L
1	C3	22nF	Ceramic Capacitor, 50V, X7R	0603	TDK	C1608X7R1H223K
1	C2	22µF	Ceramic Capacitor, 6.3V, X5R	1206	TDK	C3216X5R0J226M
0	C6		Not Stuffed, Optional			
1	D1		Diode Schottky, 40V, 1A	SOD-123	Diodes Inc.	1N5819HW-7
			Diode Schottky, 30V, 2A	SMA	Diodes Inc.	B230A-13-F
0	D2, D3		Not Stuffed, Optional			
1	L1	4.7µH	Inductor, 1.66A, D63LCB	SMD	Toko	A921CY-4R7M
1	R1	49.9kΩ	Resistor, 1%	0603	Panasonic	ERJ-3EKF4992V
1	R2	16.2kΩ	Resistor, 1%	0603	Panasonic	ERJ-3EKF1622V
1	R3	100kΩ	Resistor, 5%	0603	Panasonic	ERJ-3GEYJ104V
1	R4	0Ω	Resistor, 5%	0603	Panasonic	ERJ-3GEY0R00V
1	U1		DC/DC Converter	TSOT23-6	MPS	MP2259DJ

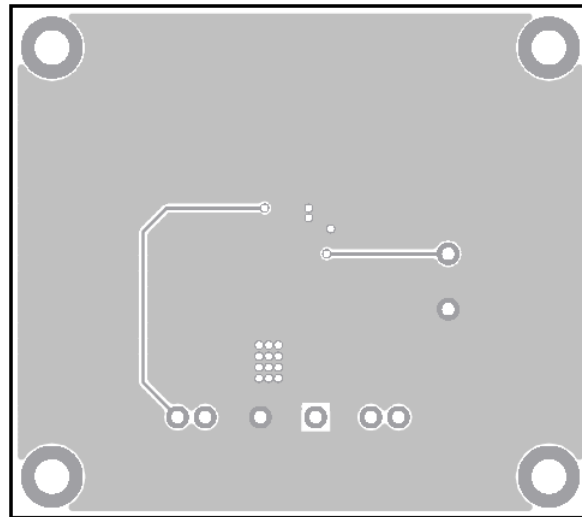
**PRINTED CIRCUIT BOARD LAYOUT**



**Figure 1—Top Silk Layer**



**Figure 2—Top Layer**



**Figure 3—Bottom Layer**

## QUICK START GUIDE

1. Connect the positive terminal of the load to VOUT pin, and the negative terminal of the load to GND pin.
2. Preset the power supply output to 4.5V – 16V and turn off the power supply.
3. Connect the positive terminal of the power supply output to the VIN pin and the negative terminal of the power supply output to the GND pin.
4. Turn the power supply on. The board will automatically startup.
5. To use the Enable function, apply a digital input to EN pin. Drive EN higher than 1.2V to turn on the regulator, drive EN less than 0.4V to turn it off.

**NOTICE:** The information in this document is subject to change without notice. Please contact MPS for current specifications. Users should warrant and guarantee that third party Intellectual Property rights are not infringed upon when integrating MPS products into any application. MPS will not assume any legal responsibility for any said applications.