

DESCRIPTION

The EV20041DGT-GJ-00A evaluation board demonstrates the performance of MP20041, a dual-channel, ultra low noise, low dropout and high PSRR linear regulator. It operates from a 2.8V to 6V input voltage and regulates the output voltage to 1.8V for output channel 1 and 2.5V for output channel 2.

Each output channel can supply up to 300mA of load current. The EN1 and EN2 pins control each output respectively. The EV20041DGT-GJ-00A features current limiting and over temperature protection, stability with ultra low ESR ceramic capacitors, and very fast transient response.

EV20041DGT-GJ-00A can also be used to evaluate the other version MP20041 with different output voltage by replacing the chip on the evaluation board.

ELECTRICAL SPECIFICATIONS

Parameter	Symbol	Value	Units
Input Voltage	V_{IN}	2.8 – 6.0	V
Output Voltage	V_{OUT1}	1.8	V
	V_{OUT2}	2.5	V
Operating Temperature		-40 to +85	°C

FEATURES

- Wide Operating Voltage Ranges: 2.8V to 6V
- Up to 300mA Output Current (Per Channel)
- Dual Enable Pins Control Each Output
- 72dB PSRR at 10kHz
- 11 μ V_{RMS} Low Noise Output with No Noise Bypass Capacitor Required
- 220mV and 180mV Dropout at 300mA Load for Channel 1 and Channel 2 Respectively
- Very Fast Transient Responses
- Current Limit and Thermal Protection

APPLICATIONS

- Cellular Phones
- Battery-powered Equipment
- Laptop, Notebook, and Palmtop Computers
- Hand-held Equipment
- Wireless LAN

MPS[®] and "The Future of Analog IC Technology" are Registered Trademarks of Monolithic Power Systems, Inc.

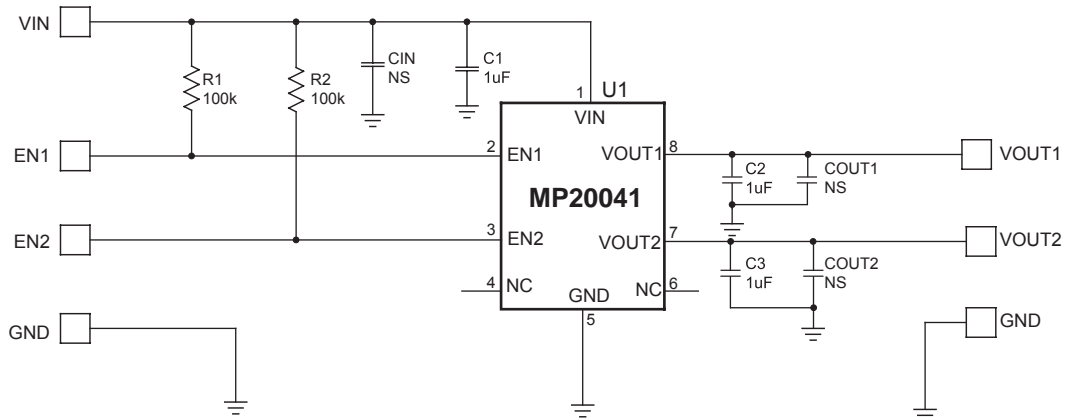
EV20041DGT-GJ-00A EVALUATION BOARD



(L x W x H) 2.5" x 2.5" x 0.4"
(6.35cm x 6.35cm x 1.1cm)

Board Number	MPS IC Number
EV20041DGT-GJ-00A	MP20041DGT-GJ

EVALUATION BOARD SCHEMATIC



EV20041DGT-GJ-00A BILL OF MATERIALS

Qty	Ref	Value	Description	Package	Manufacturer	Part Number
3	C1, C2, C3	1uF	Ceramic Capacitor, X7R, 10V	0805	TDK	C2012X7R1A105K
2	R1, R2	100K	Film Res, 5%	0805	Yageo	RC0805JR-07100KL
1	CIN	NS				
2	COUT1, COUT2	NS				
1	U1		LDO Regulator	TQFN8 (2x2)	MPS	MP20041DGT-GJ

PRINTED CIRCUIT BOARD LAYOUT

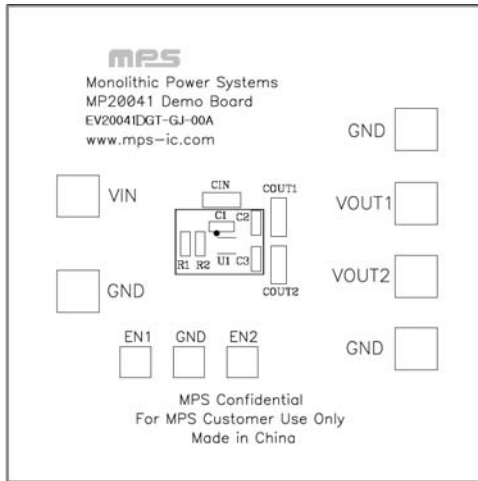


Figure 1—Top Silk Layer

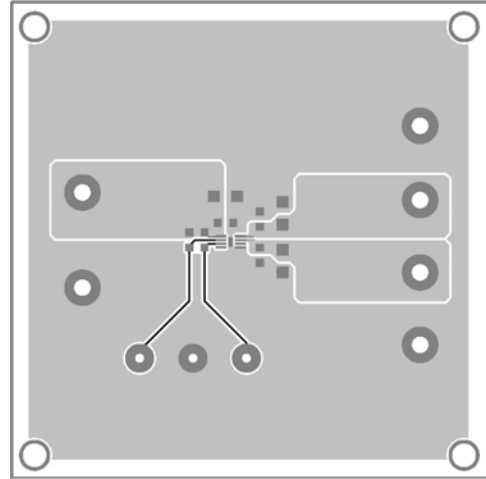


Figure 2—Top Layer

QUICK START GUIDE

The output voltage of this board is set to 1.8V for channel 1 and 2.5V for channel 2. The EN pin is connected to V_{IN} with a 100k Ω resistor for automatic startup. You can connect EN to GND to disable the MP20041.

1. Attach the positive and negative ends of the load to the VOUT and GND pins, respectively.
2. Attach the input voltage ($2.8V \leq V_{IN} \leq 6V$) and input ground to the V_{IN} and GND pins, respectively.

To evaluate the other version MP20041 with different output voltage, carefully remove the IC(U1) and replace it with the corresponding chip. Please refer to the datasheet for the detailed information of the different output voltage option of MP20041.

NOTICE: The information in this document is subject to change without notice. Please contact MPS for current specifications. Users should warrant and guarantee that third party Intellectual Property rights are not infringed upon when integrating MPS products into any application. MPS will not assume any legal responsibility for any said applications.