

DESCRIPTION

The EV173-S-00A evaluation board is designed to demonstrate the capabilities of MP173. The MP173 is a primary-side constant voltage regulator providing accurate constant voltage (CV) regulation without Opto-coupler. It supports Buck, Buck-Boost, Boost and Flyback topologies.

The EV173-S-00A evaluation board is designed as buck application. EV173-S-00A typically drives a 3W with a 12V/250mA load from 85VAC to 265VAC, at 60/50Hz.

The EV173-S-00A has an excellent efficiency and meets IEC61000-4-5 surge immunity and EN55022 conducted EMI requirements. MP173 features various protections, including thermal shutdown (TSD), VCC under-voltage lockout (UVLO), over-load protection (OLP), short-circuit protection (SCP), and open loop protection.

MP173 is available in small TSOT23-5 package and SOIC8 package.

ELECTRICAL SPECIFICATION

| Parameter | Symbol | Value | Units |
|----------------|-----------|-----------|-------|
| Input Voltage | V_{IN} | 85 to 265 | VAC |
| Output Voltage | V_{OUT} | 12 | V |
| Output Current | I_{OUT} | 0.25 | A |
| Output Power | P_{OUT} | 3 | W |

FEATURES

- Primary-Side Non-Isolated Constant Voltage (CV) Control
- Integrated 700V MOSFET with Internal High Voltage Current Source
- < 100mW No-Load Power Consumption
- Up to 3W Output Power
- Peak-Current Control with Peak Current Compression
- Internally Biased VCC
- Low VCC Operating Current
- Limited Maximum Frequency
- Frequency Foldback
- Multiple Protections: SCP, OLP, OTP, VCC UVLO and Open-Loop Protection
- Low Cost and Simple External Circuit

APPLICATIONS

- Home Appliance, White Goods and Consumer Electronics
- Industrial Controls
- Standby Power

All MPS parts are lead-free, halogen-free and adhere to the RoHS directive. For MPS green status, please visit MPS website under Quality Assurance. "MPS" and "The Future of Analog IC Technology", are Registered Trademarks of Monolithic Power Systems, Inc.

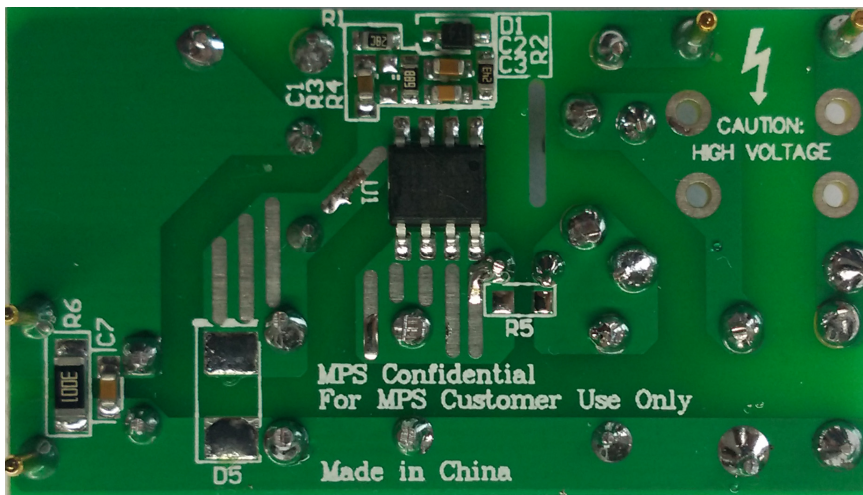


Warning: Although this board is designed to satisfy safety requirements, the engineering prototype has not been agency approved. Therefore, all testing should be performed using an isolation transformer to provide the AC input to the prototype board.

EV173-S-00A EVALUATION BOARD



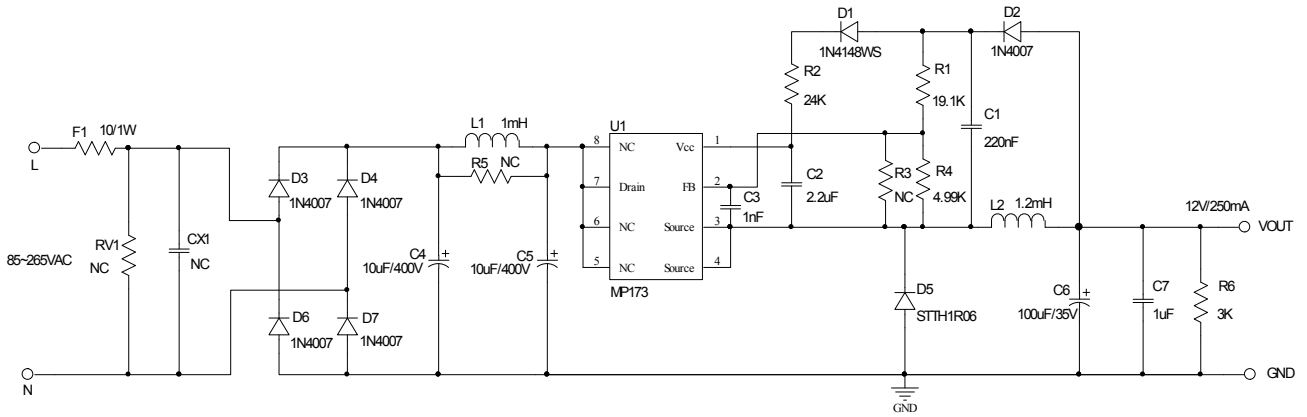
TOP VIEW



BOTTOM VIEW

(L x W x H) 45mm x 25mm x 17mm

| Board Number | MPS IC Number |
|--------------|---------------|
| EV173-S-00A | MP173GS |

EVALUATION BOARD SCHEMATIC

Figure 1—Schematic

PCB LAYOUT (SINGLE-SIDED)

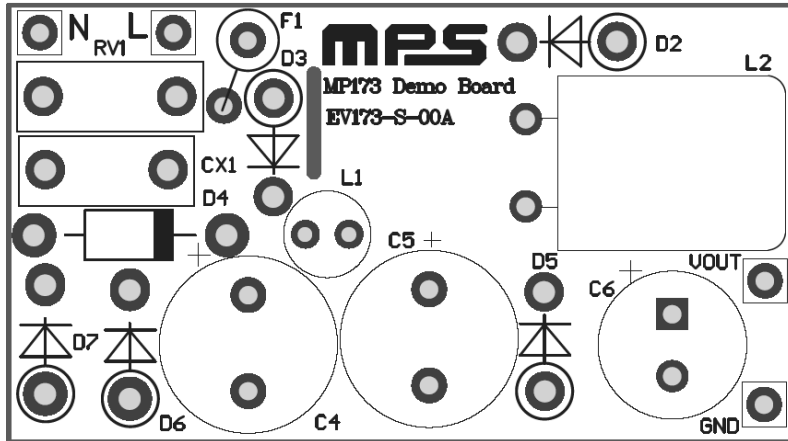


Figure 2—Top Layer

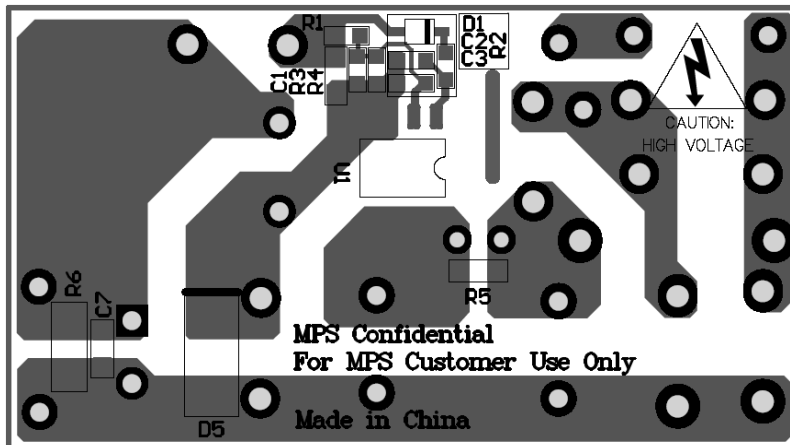


Figure 3—Bottom Layer

EV173-S-00A BILL OF MATERIALS

| Qty | Ref | Value | Description | Package | Manufacture | Manufacture_PN |
|-----|--------------------|----------|---------------------------------|---------|-------------|--------------------|
| 1 | C1 | 220nF | Ceramic Capacitor;16V;X7R | 0603 | muRata | GRM188R71C224KA01D |
| 1 | C2 | 2.2uF | Ceramic Capacitor;10V;X7R | 0603 | muRata | GRM188R71A225KE15D |
| 1 | C3 | 470pF | Ceramic Capacitor;50V;X7R | 0603 | muRata | GRM188R71H471KA01D |
| 2 | C4, C5 | 10uF | Electrolytic Capacitor;400V;20% | DIP | Any | Any |
| 1 | C6 | 100uF | Electrolytic Capacitor;35V | DIP | Jianghai | CD287-35V100 |
| 1 | C7 | 1uF | Ceramic Capacitor;16V;X7R | 0603 | muRata | GRM188R71C105KA12D |
| 1 | D1 | 1N4148WS | Diode;75V;0.15A; | SOD-323 | Diodes | 1N4148WS-7-F |
| 5 | D2, D3, D4, D6, D7 | 1N4007 | Diode;1000V;1A | DO-41 | Diodes | 1N4007 |
| 1 | D5 | STTH1R06 | Diode;600V;1A | DO-41 | ST | STTH1R06 |
| 1 | F1 | 10Ω | Resistor;5%;1W | DIP | Yageo | FKN1WSJT-52-10R |
| 1 | L1 | 1mH | Inductor;1000uH;8Ω;0.1A | DIP | Any | Any |
| 1 | L2 | 1.2mH | Inductor;1.2mH;1.8;400mA | DIP | Emei | DR9X12P2M1.2-00 |
| 1 | R1 | 19.1kΩ | Film Resistor;1% | 0603 | Yageo | RC0603FR-0719K1L |
| 1 | R2 | 24kΩ | Film Resistor;1% | 0603 | Yageo | RC0603FR-0724KL |
| 1 | R4 | 4.99kΩ | Film Resistor;1% | 0603 | Yageo | RC0603FR-074K99L |
| 1 | R6 | 3kΩ | Film Resistor;1% | 1206 | Yageo | RC1206FR-073KL |
| 1 | U1 | MP173 | Primary side regulator | SOIC8 | MPS | MP173GS |

CIRCUIT DESCRIPTION

The EV173-S-00A is configured to a buck topology, it uses primary-side-control which can mostly simplify the schematic and get a cost effective BOM. It can also achieve accurate constant voltage and acceptable cross regulation.

F1 is used to protect circuit from component failure or some excessive short events; also it can restrain the inrush current.

C4, L1 and C5 compose π filter to guarantee the conducted EMI meet standard EN55022. C2 and C3 are also used for energy storage and protecting against line surge.

R2, C2, and D1 are used as VCC power supply. Though MP173 is equipped with an internal high voltage current source, using this circuit can achieve better efficiency.

C1 is the sample-hold capacitor, used for reflecting output voltage. R1 and R4 are resistor divider for detecting output voltage by sampling voltage on C1.

D5 is the freewheeling diode. For universal voltage applications, use a diode with a 600V reverse block voltage. Ultra-fast recovery diode is recommended for better efficiency.

C6 and C7 are output capacitors for 12V output. C6 should be low ESR electrolytic capacitor for better output ripple. C7 is ceramic capacitor to reduce high frequency voltage ripple. R6 is dummy load to lower the output voltage of 12V rail at no load condition.

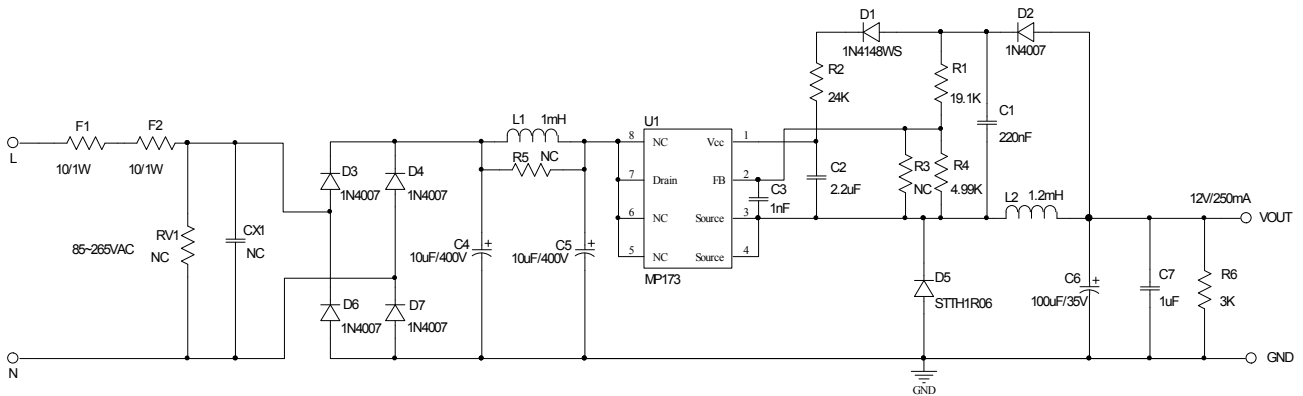
SURGE PERFORMANCE

Line to Line 1kV surge tested according to IEC61000-4-5.

Input voltage was set at 230VAC/50Hz. Output was loaded at full load and operation was verified following each surge event.

| Surge Level (V) | Input Voltage (VAC) | Injection Location | Injection Phase (°) | Test Result (Pass/Fail) |
|-----------------|---------------------|--------------------|---------------------|-------------------------|
| 1000 | 230 | L to N | 0 | Pass |
| 1000 | 230 | L to N | 90 | Pass |
| 1000 | 230 | L to N | 180 | Pass |
| 1000 | 230 | L to N | 270 | Pass |
| -1000 | 230 | L to N | 0 | Pass |
| -1000 | 230 | L to N | 90 | Pass |
| -1000 | 230 | L to N | 180 | Pass |
| -1000 | 230 | L to N | 270 | Pass |

The board can pass 2kV surge test by simple using two 10ohm/1W fuse resistor, as the circuit shown below.



QUICK START GUIDE

1. Preset power supply to $85\text{VAC} \leq V_{\text{IN}} \leq 265\text{VAC}$.
2. Turn power supply off.
3. Connect the Line and Neutral terminals of the power supply output to L and N port.
4. Connect load positive and negative terminals to corresponding + and - outputs.
5. Turn power supply on after making connections.

NOTICE: The information in this document is subject to change without notice. Please contact MPS for current specifications. Users should warrant and guarantee that third party Intellectual Property rights are not infringed upon when integrating MPS products into any application. MPS will not assume any legal responsibility for any said applications.