



EV02W0303A-2-Y-00B

0.2W, Regulated, 1.5kV_{DC}
Isolated DC/DC Converter
Evaluation Board

DESCRIPTION

The EV02W0303A-2-Y-00B is an evaluation board designed to demonstrate the capabilities of the MID02W0303AGY-2R, a regulated, isolated DC/DC converter module.

The MID02W0303AGY-2R integrates a power MOSFET, transformer, and feedback circuit all in one chip, supporting a 1.5kV_{DC} isolation

voltage. This converter provides a small size and higher reliability operation compared to traditional isolated power modules.

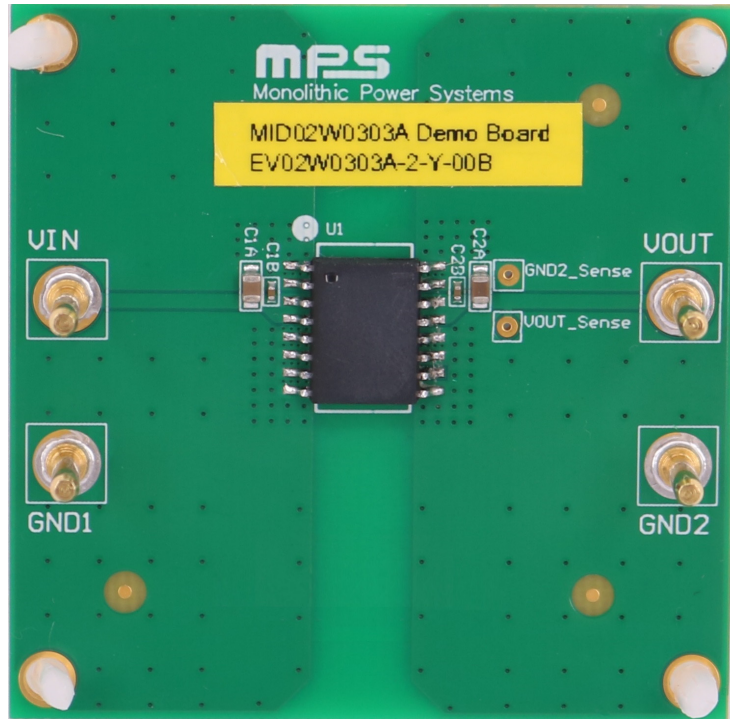
It is recommended to read the datasheet for the MID02W0303A prior to making any changes to the EV02W0303A-2-Y-00B.

PERFORMANCE SUMMARY

Specifications are at T_A = 25°C, unless otherwise noted.

Parameters	Conditions	Value
Input voltage (V _{IN}) range		3V to 3.6V
Output voltage (V _{OUT})	V _{IN} = 3V to 3.6V, I _{OUT} = 0mA to 75mA	3.3V
Maximum output current (I _{OUT})	V _{IN} = 3V to 3.6V	75mA

EVALUATION BOARD



LxWxH (5.1cmx5.1cmx0.3cm)
2 Layers, 1oz/1oz

Board Number	MPS IC Number
EV02W0303A-2-Y-00B	MID02W0303AGY-2R

QUICK START GUIDE

1. Preset the power supply (V_{IN}) between 3V and 3.6V, then turn off the power supply.
2. Connect the power supply terminals to:
 - a. Positive (+): V_{IN}
 - b. Negative (-): GND1
3. Connect the load terminals to:
 - a. Positive (+): V_{OUT}
 - b. Negative (-): GND2
4. After making the connections, turn on the power supply. The board should start up automatically.

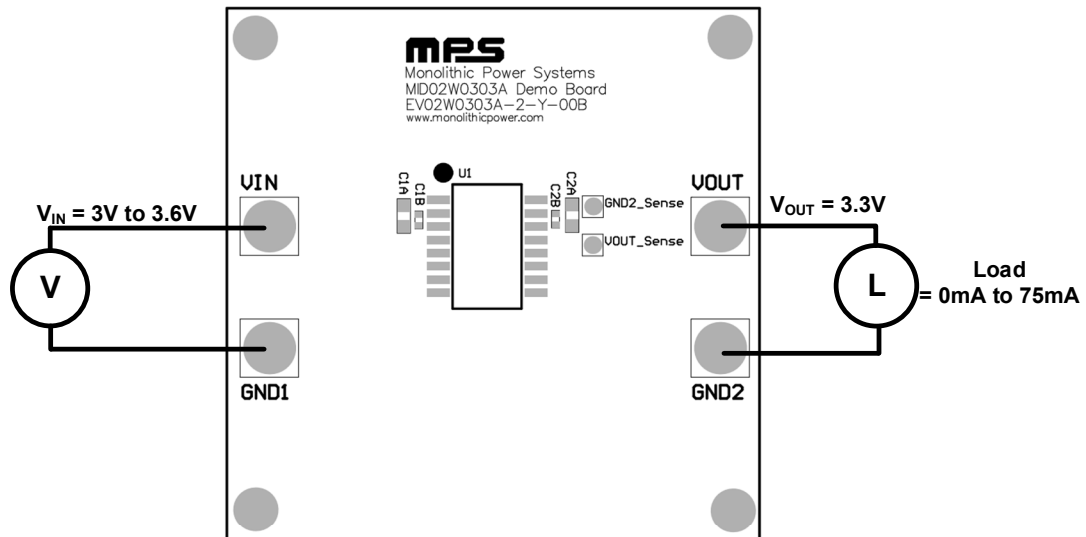


Figure 1: Measurement Equipment Set-Up

EVALUATION BOARD SCHEMATIC

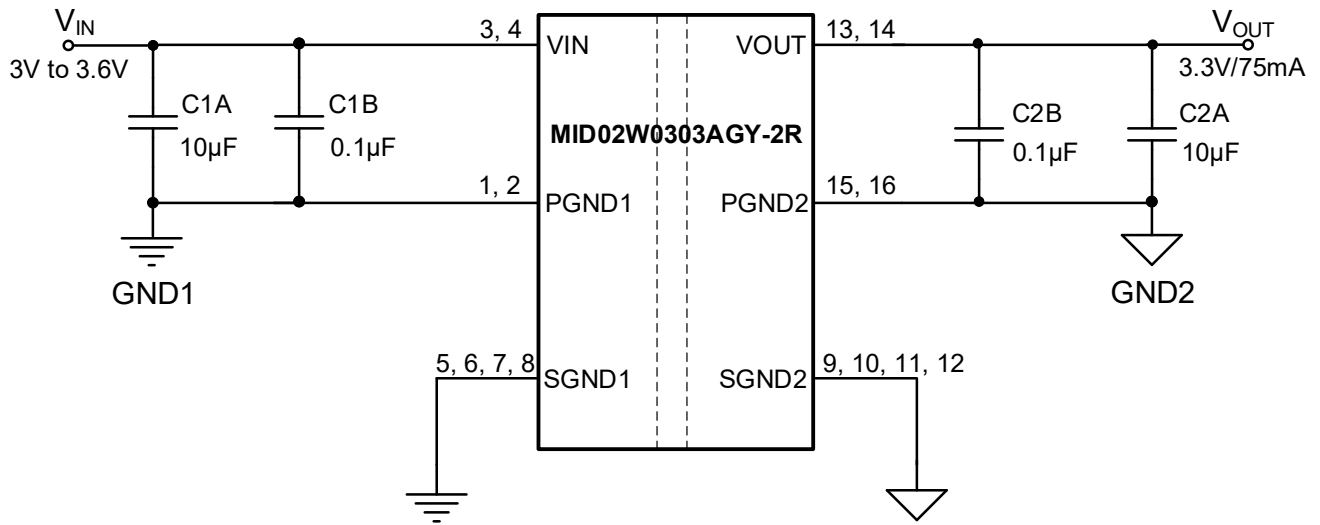


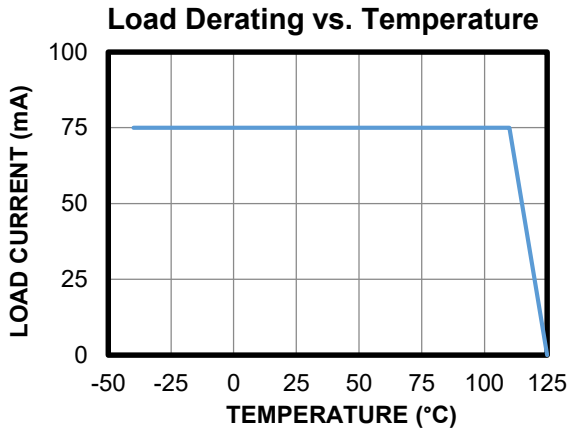
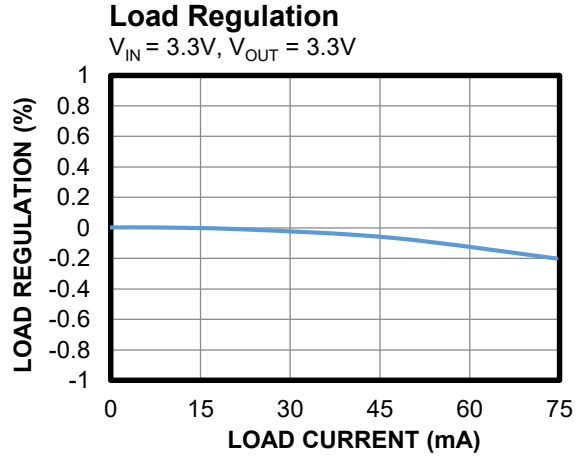
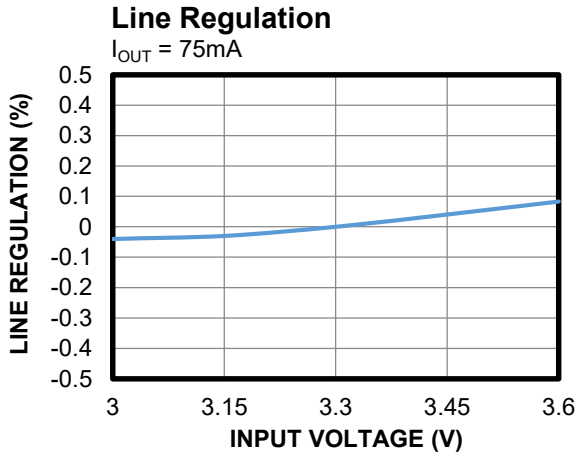
Figure 2: Evaluation Board Schematic

EV02W0303A-2-Y-00B BILL OF MATERIALS

Qty	Ref	Value	Description	Package	Manufacturer	Manufacturer PN
2	C1A, C2A	10 μ F	Ceramic capacitor, 10V, X5R	0805	TDK	C2012X5R1A106KT000E
2	C2A, C2B	100nF	Ceramic capacitor, 16V, X7R	0402	Samsung	CL05B104KO5NNNC
1	U1	MID02W0303A	0.2W, 1.5kV _{DC} isolated DC/DC converter module	SOIC-16 WB	MPS	MID02W0303AGY-2R-Z

EVB TEST RESULTS

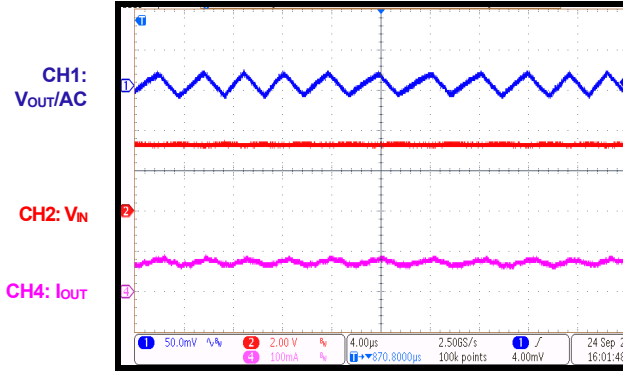
Performance curves and waveforms are tested on the evaluation board. $V_{IN} = 3.3V$, $V_{OUT} = 3.3V$, $T_A = 25^\circ C$, $I_{OUT} = 0mA$ to $75mA$, $C_{IN} = C_{OUT} = 0.1\mu F + 10\mu F$, unless otherwise noted.



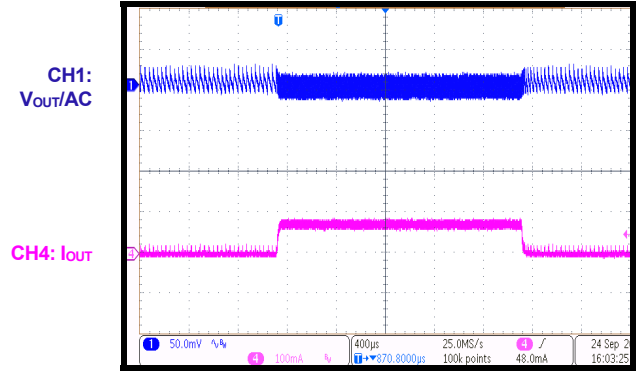
EVB TEST RESULTS *(continued)*

Performance curves and waveforms are tested on the evaluation board. $V_{IN} = 3.3V$, $V_{OUT} = 3.3V$, $T_A = 25^{\circ}C$, $I_{OUT} = 0mA$ to $75mA$, $C_{IN} = C_{OUT} = 0.1\mu F + 10\mu F$, unless otherwise noted.

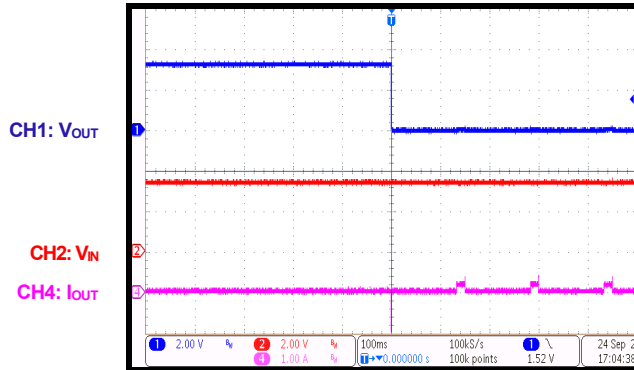
Ripple
 $I_{OUT} = 75mA$



Load Transient
 $I_{OUT} = 0A$ to $75mA$



SCP Entry



PCB LAYOUT

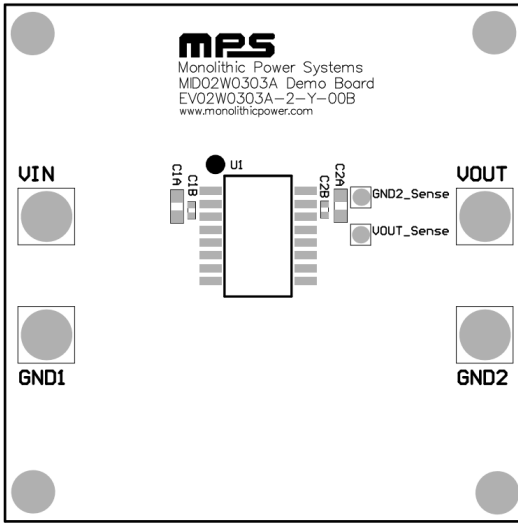


Figure 1: Top Silk

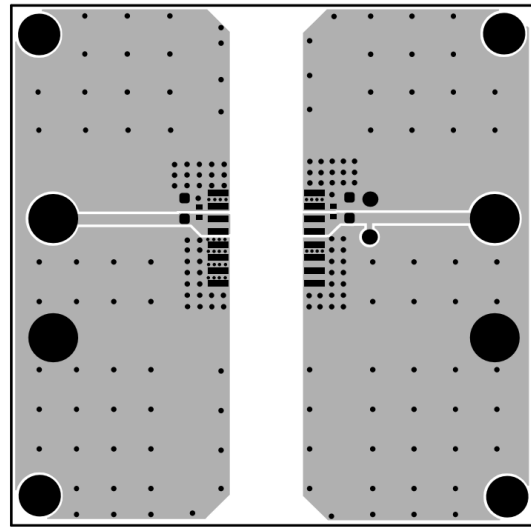


Figure 2: Top Layer

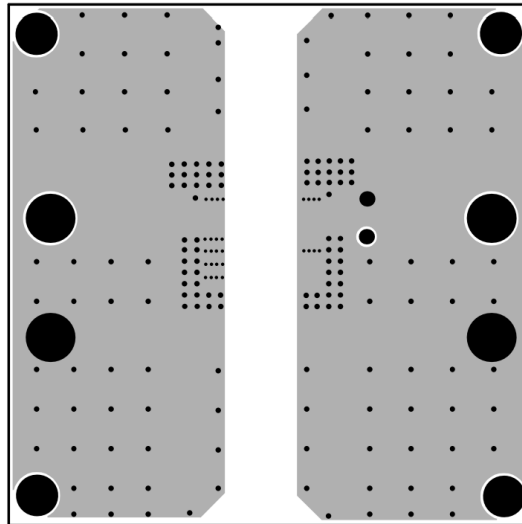


Figure 3: Bottom Layer



REVISION HISTORY

Revision #	Revision Date	Description	Pages Updated
1.0	6/4/2024	Initial Release	-

Notice: The information in this document is subject to change without notice. Please contact MPS for current specifications. Users should warrant and guarantee that third-party Intellectual Property rights are not infringed upon when integrating MPS products into any application. MPS will not assume any legal responsibility for any said applications.