

### DESCRIPTION

The MPM3695-10 is an ultra-thin, scalable, 10A, fully integrated power module with PMBus interface. It offers a full power solution that achieves up to 10A of output current with excellent load and line regulation over a wide input supply range. The MPM3695-10's 1.6mm height enables it to be placed on the back side of the PCB to save board space. The MPM3695-10 operates at a high efficiency over a wide output current load range. The MPM3695-10 can be paralleled with any phase.

The MPM3695-10 adopts MPS's proprietary multi-phase constant-on-time (MCOT) control, which provides fast transient response and eases loop stabilization. The MPM3695-10 also provides redundancy to protect the load. The PMBus interface provides module configurations and the monitoring of key parameters.

Fully integrated protection features include over-current protection (OCP), over-voltage protection (OVP), under-voltage protection (UVP), and over-temperature protection (OTP).

The MPM3695-10 requires a minimal number of readily available, standard, external components and is available in a QFN-45 (8mmx8mmx1.6mm) package.

Please email "[mpm3695-10info@monolithicpower.com](mailto:mpm3695-10info@monolithicpower.com)" for more information.

### FEATURES

- 4V to 16V Input Voltage Range
- 0.5V to 5.5V Output Voltage Range
- 10A Output Current, Parallel up to 250A
- Auto Interleaving for Paralleling Operation
- Auto Compensation with Adaptive COT for Ultrafast Transient Response
- 0.5% Reference Voltage Over 0°C to +70°C Junction Temperature Range
- Output Voltage True Remote Sense
- PMBus 1.3 Compliant
- Output Voltage/Current, Temperature, and Faults Reporting
- Programmable via PMBus
  - Current Limit
  - Pulse-Skip or CCM
  - Soft-Start Time
  - Switching Frequency
  - Selection of Hiccup or Latch-Off for OCP, OVP, and OTP
- Available in a QFN-45 (8mmx8mmx1.6mm) Package

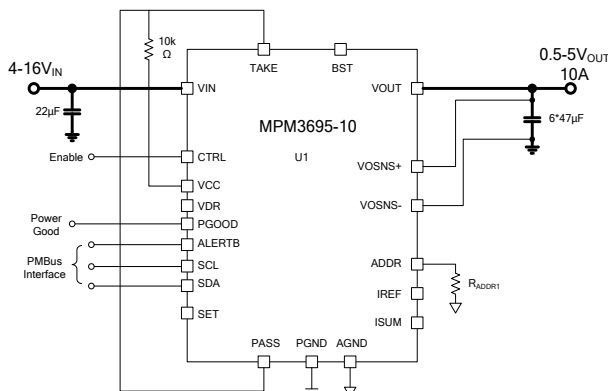
### APPLICATIONS

- Telecom and Networking Systems
- Industrial Equipment
- Servers and Computing

All MPS parts are lead-free, halogen-free, and adhere to the RoHS directive. For MPS green status, please visit the MPS website under Quality Assurance. "MPS" and "The Future of Analog IC Technology" are registered trademarks of Monolithic Power Systems, Inc.

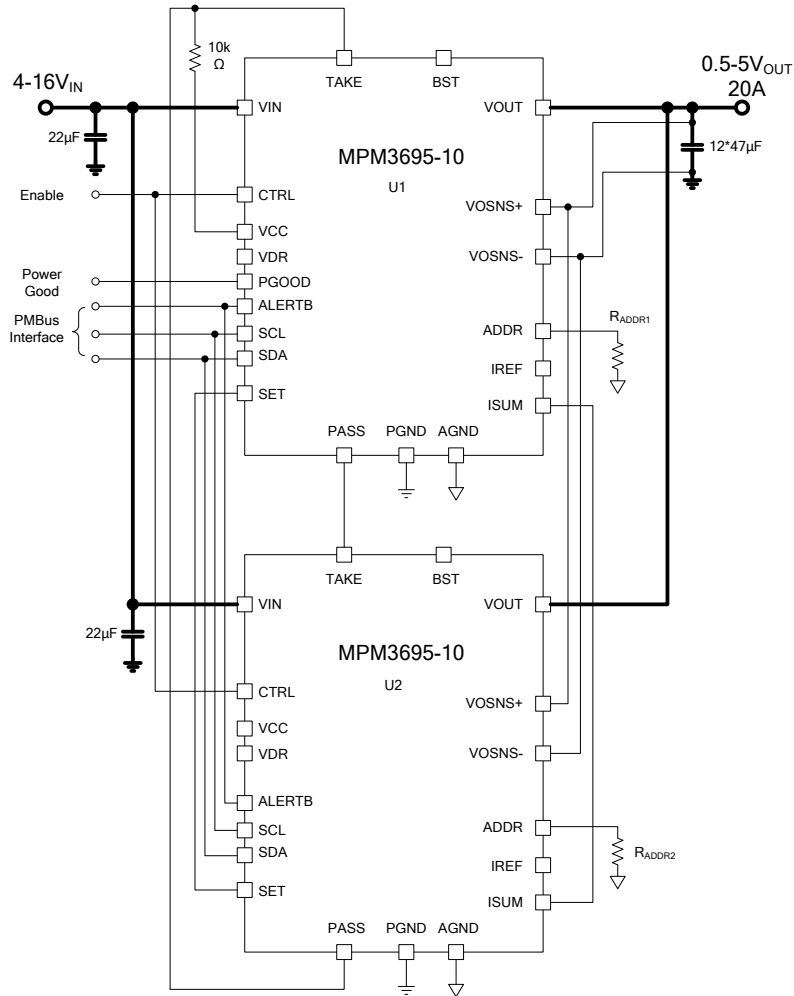
## TYPICAL APPLICATION

### Single-Phase Operation



## TYPICAL APPLICATION (continued)

### Two-Phase Operation



**NOTICE:** The information in this document is subject to change without notice. Please contact MPS for current specifications. Users should warrant and guarantee that third party Intellectual Property rights are not infringed upon when integrating MPS products into any application. MPS will not assume any legal responsibility for any said applications.