



# MP1922

## 100V, 3A, Single-Channel, Half-Bridge Pre-Driver IC

### DESCRIPTION

The MP1922 is a 100V, single-channel, integrated circuit (IC), half-bridge gate driver designed for motor driver applications and other power control applications. The two N-channel power MOSFETs are set up in a half H-bridge configuration, and operate on power supplies up to 100V.

The MP1922 combines a bootstrap (BST) capacitor and an internal charge pump to generate a supply voltage of the high-side MOSFET (HS-FET) driver. The device's HS-FET driver generates a voltage above the power supply, which in many cases indefinitely maintains a high output at 100% duty cycle operation.

The half-bridge pre-driver features configurable slew rate control, FET desaturation protection, adjustable dead-time control, under-voltage lockout (UVLO), and thermal shutdown.

The MP1922 is available in a QFN-22 (4mmx5mm) package with an exposed thermal pad.

### FEATURES

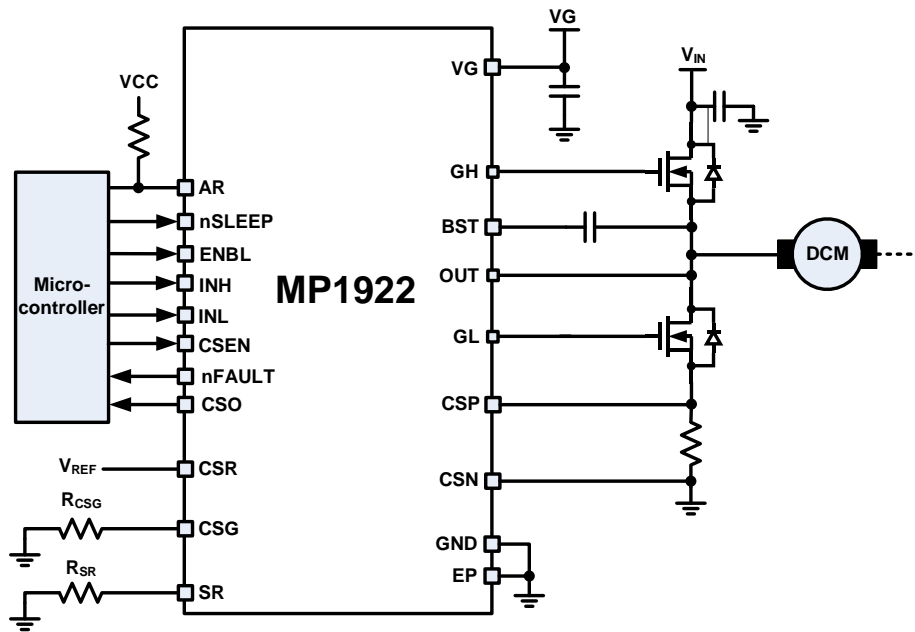
- Supports 100V Supply Operation
- 3A Source, 4A Sink Gate Drive Current
- Internal Charge Pump and Auto-Refresh for High-Side (HS) Gate Drive
- Integrated Current-Sense Amplifier
- Low-Power Sleep Mode
- Programmable Controlled Slew Rate
- Desaturation Protection of External MOSFETs
- Thermal Shutdown
- Under-Voltage Lockout (UVLO)
- Fault Indication Output
- Thermally Enhanced Surface-Mount Package
- Available in a QFN-22 (4mmx5mm) Package

### APPLICATIONS

- Brushless DC (BLDC) Motors and Permanent Magnet Synchronous Motor (PMSM) Drives
- High-Current Brushed DC Motor Drives
- Automotive Pumps, Fans, Superchargers, and Actuators
- Power Drills
- E-Bikes

All MPS parts are lead-free, halogen free, and adhere to the RoHS directive. For MPS green status, please visit the MPS website under Quality Assurance. "MPS," the MPS logo, and "Simple, Easy Solutions" are trademarks of Monolithic Power Systems, Inc. or its subsidiaries.

TYPICAL APPLICATION



### ORDERING INFORMATION

Part Number*	Package	Top Marking	MSL Rating
MP1922GV	QFN-22 (4mmx5mm)	See Below	2

\* For Tape & Reel, add suffix -Z (e.g. MP1922GV-Z).

### TOP MARKING

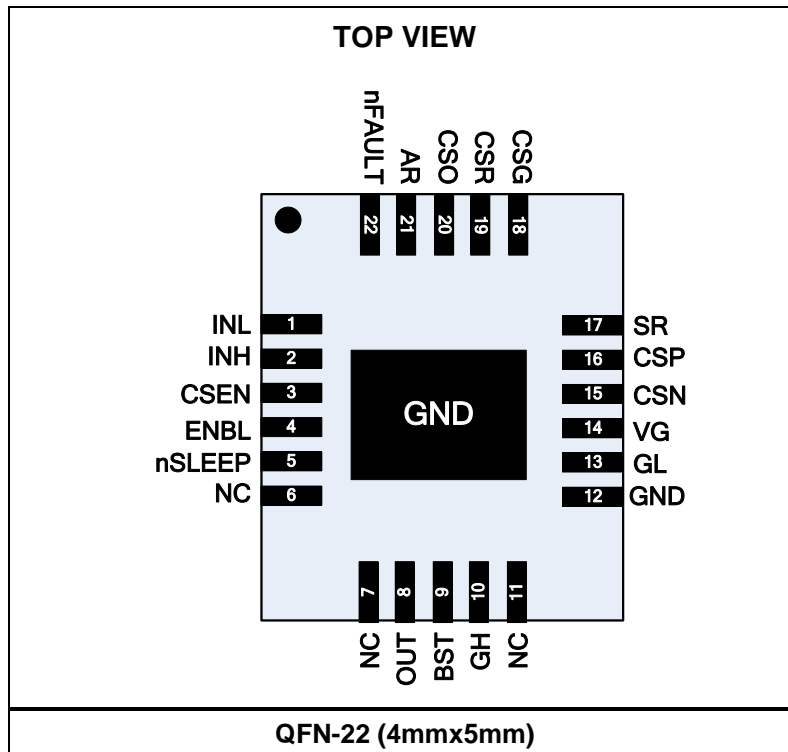
MPSYWW

MP1922

LLLLLL

MPS: MPS prefix  
 Y: Year code  
 WW: Week code  
 MP1922: Part number  
 LLLLLL: Lot number

### PACKAGE REFERENCE



**PIN FUNCTIONS**

Pin #	Name	Description
1	INL	<b>Low-side (LS) control signal input.</b> Pull this pin logic high to turn on the low-side MOSFET (LS-FET). This pin has an internal pull-down resistor.
2	INH	<b>High-side (HS) control signal input.</b> Pull this pin logic high to turn on the high-side MOSFET (HS-FET). This pin has an internal pull-down resistor.
3	CSEN	<b>Current-sense output enable pin.</b> Pull this pin logic high to enable current-sense output. This pin has an internal pull-down resistor.
4	ENBL	<b>Enable input.</b> Pull this pin high to enable the part; pull it low to turn off the FETs.
5	nSLEEP	<b>Sleep input.</b> Pull this pin logic low to enter sleep mode; pull it high for normal operation. This pin has an internal pull-down resistor.
6	NC	<b>Not connected.</b>
7	NC	<b>Not connected.</b>
8	OUT	<b>Half-bridge output (HS source/LS drain).</b>
9	BST	<b>Bootstrap (BST) capacitor.</b> Connect a ceramic capacitor between BST and OUT.
10	GH	<b>HS gate drive output.</b>
11	NC	<b>Not connected.</b>
12, exposed pad	GND	<b>Ground.</b>
13	GL	<b>LS gate drive output.</b>
14	VG	<b>Gate drive supply voltage.</b>
15	CSN	<b>Current-sense amplifier negative input.</b>
16	CSP	<b>Current-sense amplifier positive input.</b>
17	SR	<b>Slew rate adjustment pin.</b> Connect a resistor to ground to set the output slew rate.
18	CSG	<b>Current-sense amplifier gain adjustment pin.</b> Connect a resistor to ground to set the current-sense amplifier gain.
19	CSR	<b>Current-sense amplifier reference input.</b> Connect CSR to the reference voltage for a zero-current output.
20	CSO	<b>Current-sense output.</b>
21	AR	<b>Auto-refresh programming and status pin.</b>
22	nFAULT	<b>Fault output.</b> This pin is an open drain (active low), and requires an external pull-up resistor.

**ABSOLUTE MAXIMUM RATINGS** <sup>(1)</sup>

Input voltage ( $V_G$ )	-0.3V to +16V
BST capacitor	-0.3V to +115V
GH (DC)	-5V to +115V
GH (<2 $\mu$ s transient)	-25V to +115V
GL (DC)	-0.3V to +16V
GL (<2 $\mu$ s transient)	-2V to +16V
OUT (DC)	-5V to +100V
OUT (<2 $\mu$ s transient)	-25V to +100V
nSLEEP	-0.3V to +5.5V
All other pins to GND	-0.3V to +6.5V
Continuous power dissipation ( $T_A = 25^\circ\text{C}$ ) <sup>(2)</sup>	
QFN-22 (4mmx5mm)	3.1W
Storage temperature	-55 $^\circ\text{C}$ to +175 $^\circ\text{C}$
Junction temperature	175 $^\circ\text{C}$
Lead temperature (solder)	260 $^\circ\text{C}$

**Recommended Operating Conditions** <sup>(3)</sup>

Input voltage ( $V_{IN}$ )	0V to 100V
Input voltage ( $V_G$ )	5V to 15V
Operating junction temp ( $T_J$ )	-40 $^\circ\text{C}$ to +165 $^\circ\text{C}$

**Thermal Resistance** <sup>(4)</sup>      $\theta_{JA}$       $\theta_{JC}$ 

QFN-22 (4mmx5mm)	40	9	$^\circ\text{C/W}$
------------------	----	---	--------------------

**Notes:**

- Exceeding these ratings may damage the device.
- The maximum allowable power dissipation is a function of the maximum junction temperature  $T_J$  (MAX), the junction-to-ambient thermal resistance  $\theta_{JA}$ , and the ambient temperature  $T_A$ . The maximum allowable continuous power dissipation at any ambient temperature is calculated by  $P_D$  (MAX) =  $(T_J$  (MAX) -  $T_A$ ) /  $\theta_{JA}$ . Exceeding the maximum allowable power dissipation can cause excessive die temperature, and the regulator may go into thermal shutdown. Internal thermal shutdown circuitry protects the device from permanent damage.
- The device is not guaranteed to function outside of its operating conditions.
- Measured on JESD51-7, 4-layer PCB.

## ELECTRICAL CHARACTERISTICS

$V_G = 12V$ ,  $T_A = -40^{\circ}C$  to  $+125^{\circ}C$ , unless otherwise noted.

Parameter	Symbol	Condition	Min	Typ	Max	Units
<b>Power Supply</b>						
Gate drive supply voltage	$V_G$		5		15	V
VG quiescent current	$I_{GQ}$	nSLEEP = 1, not switching		800		$\mu A$
	$I_{G\_SLEEP}$	nSLEEP = 0		0.1		$\mu A$
<b>Control Logic</b>						
Low input logic threshold	$V_{IL}$	INH, INL, CSEN, nSLEEP			0.8	V
High input logic threshold	$V_{IH}$	INH, INL, CSEN, nSLEEP	2.2			V
ENBL rising threshold	$V_{ENBL(H)}$			1.2		V
ENBL falling threshold	$V_{ENBL(L)}$			1.0		V
Logic input current	$I_{IN(H)}$	$V_{IH} = 5V$	-20		+20	$\mu A$
	$I_{IN(L)}$	$V_{IL} = 0.8V$	-20		+20	$\mu A$
Internal pull-down resistance	$R_{PD}$	All logic inputs		350		k $\Omega$
<b>nFAULT Output (Open-Drain Output)</b>						
Low output voltage	$V_{OL}$	$I_{OUT} = 5mA$			0.5	V
High output leakage current	$I_{OH}$	$V_{OUT} = 3.3V$			1	$\mu A$
<b>Protection Circuits</b>						
VG UVLO rising threshold	$V_{UVLO}$			3.1		V
VG UVLO hysteresis	$\Delta V_{UVLO}$			250		mV
$V_{BST}$ UVLO threshold	$V_{BSTUV}$	To initiate auto-refresh		$V_G \times 0.65$		V
Low-side (LS) desaturation threshold voltage	$V_{DSTHL}$			1.9		V
High-side (HS) desaturation threshold voltage	$V_{DSTHH}$			$V_G - 1.2$		V
Desaturation deglitch time	$t_{DSDEG}$			2		$\mu s$
SLEEP wakeup time	$t_{WAKE}$			0.8		ms
Thermal shutdown	$T_{TSD}$			190		$^{\circ}C$
<b>Gate Driver Outputs</b>						
Gate driver pull-up resistance	$R_{PU}$	$R_{SR} = 0\Omega, V_G = 12V$		1.8		$\Omega$
		$R_{SR} = 10k\Omega, V_G = 12V$		8		
		$R_{SR} = 30k\Omega, V_G = 12V$		25		
		$R_{SR} = 100k\Omega, V_G = 12V$		100		
Gate driver pull-down resistance	$R_{PD}$	$R_{SR} = 0\Omega, V_G = 12V$		1.4		$\Omega$
		$R_{SR} = 10k\Omega, V_G = 12V$		3.7		
		$R_{SR} = 30k\Omega, V_G = 12V$		14		
		$R_{SR} = 100k\Omega, V_G = 12V$		42		
Propagation delay	$t_{PD-LH}^{(5)}$			100		ns
	$t_{PD-HL}^{(5)}$			300		

**ELECTRICAL CHARACTERISTICS (continued)**
 $V_G = 12V$ ,  $T_A = -40^\circ C$  to  $+125^\circ C$ , unless otherwise noted.

Parameter	Symbol	Condition	Min	Typ	Max	Units
<b>Current-Sense Amplifier</b>						
Amplifier gain	$A_{CS}$	$R_{CSG} = 0\Omega$	158	210	265	V/V
		$R_{CSG} = 10k\Omega$	81	105	131	
		$R_{CSG} = 30k\Omega$	39	52.5	65	
		$R_{CSG} = 100k\Omega$	18	21	24	
Amplifier input offset	$V_{OFS}$	$V_{CSP} = V_{CSN} = 0V$ , $V_{CSR} = 2V$ , $R_{CSG} = 10k\Omega$	-2.2	0	+2.8	mV
Input voltage range	$V_{CSP}$ , $V_{CSN}$		-0.6		+2	V
Input common mode rejection	CMRR <sup>(5)</sup>	$V_{CSP} = V_{CSN} = 0V$ , $f = DC$		135		dB
Settling time	BW	$A_{CS} = 20$ , 50pF load on the CSO pin, 50mV step		2		$\mu s$

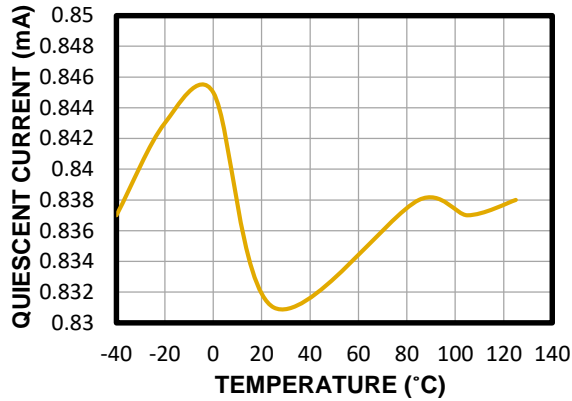
**Notes:**

5) Not tested in production.

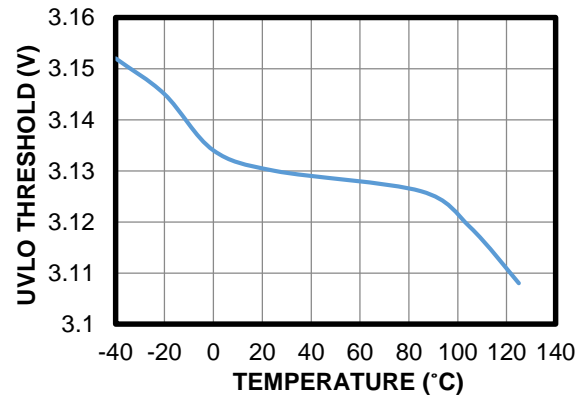
## TYPICAL CHARACTERISTICS

**VG Quiescent Current vs. Temperature**

$V_G = 12V$ , nSLEEP = 5V, not switching

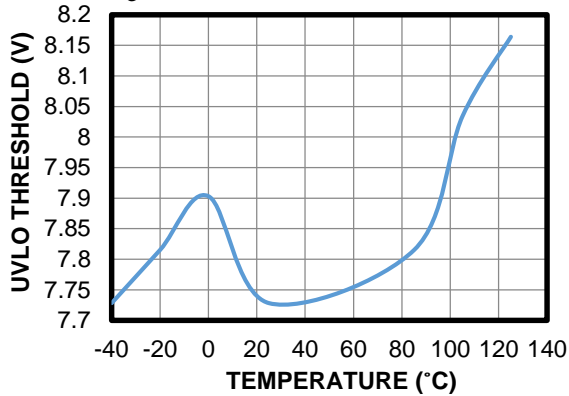


**VG UVLO Threshold vs. Temperature**



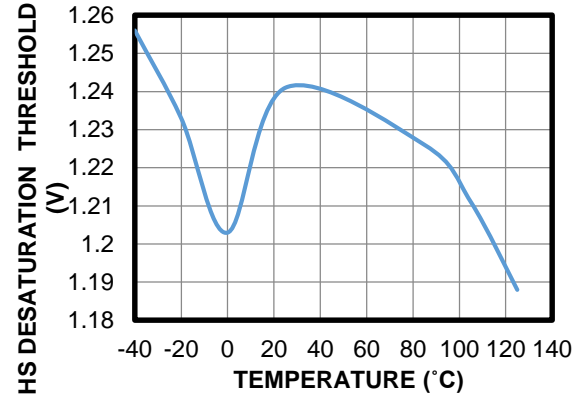
**V<sub>BST</sub> UVLO Threshold vs. Temperature**

$V_G = 12V$

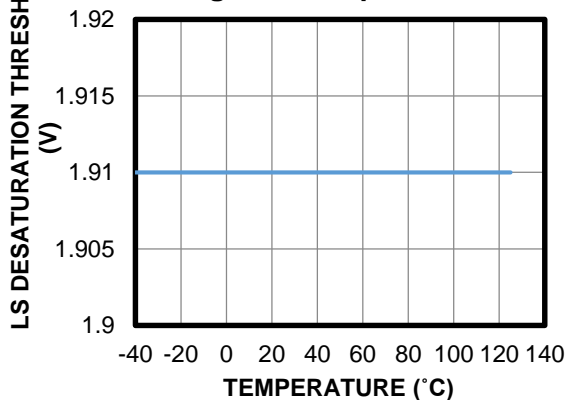


**HS Desaturation Threshold Voltage vs. Temperature**

$V_G = 12V$

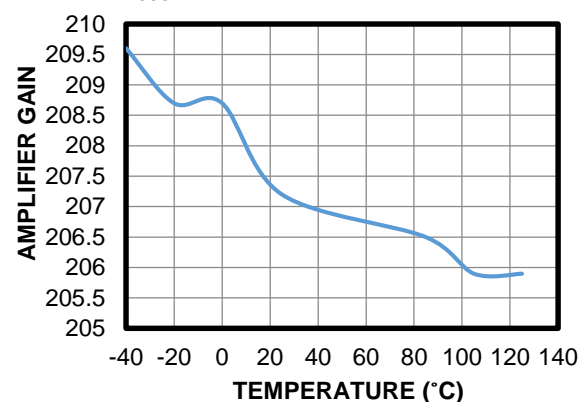


**LS Desaturation Threshold Voltage vs. Temperature**

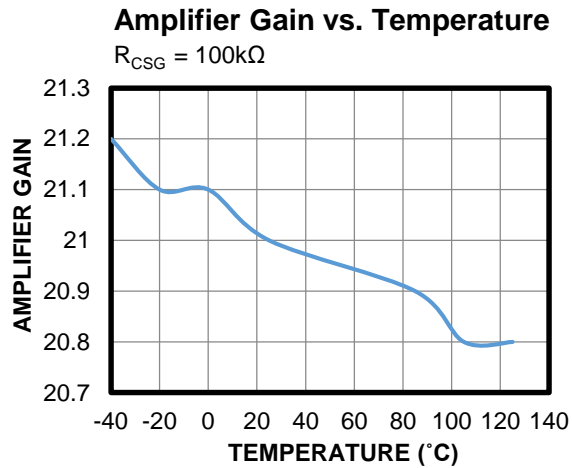
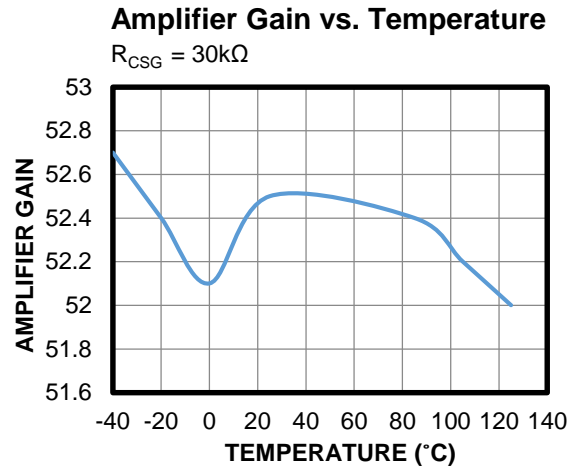
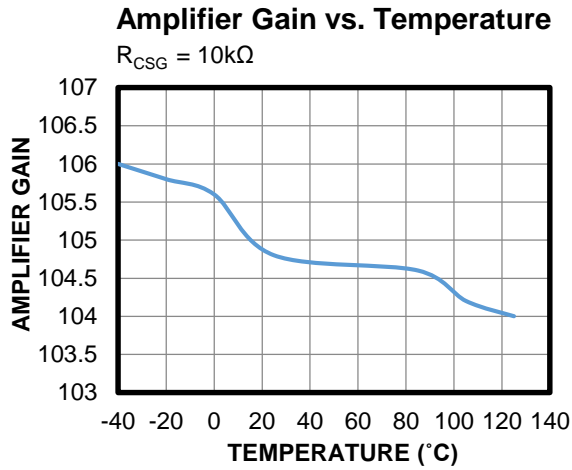


**Amplifier Gain vs. Temperature**

$R_{CSG} = 0\Omega$



TYPICAL CHARACTERISTICS (continued)



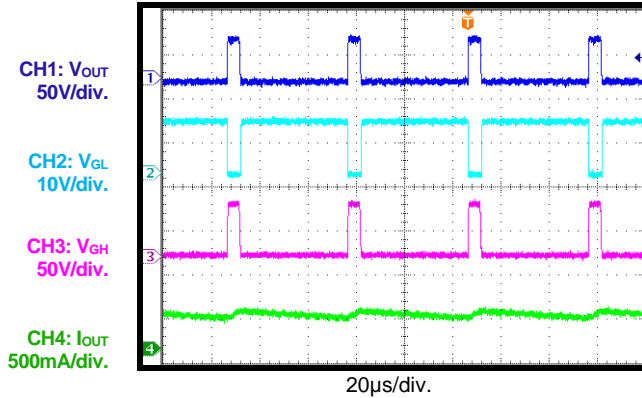


## TYPICAL PERFORMANCE CHARACTERISTICS

$V_G = 12V$ ,  $V_{IN} = 48V$ ,  $SR = CSG = 10k\Omega$ ,  $PWM = 20kHz$ ,  $T_A = 25^\circ C$ , resistor + inductor load:  $10\Omega + 2mH$  to GND, unless otherwise noted.

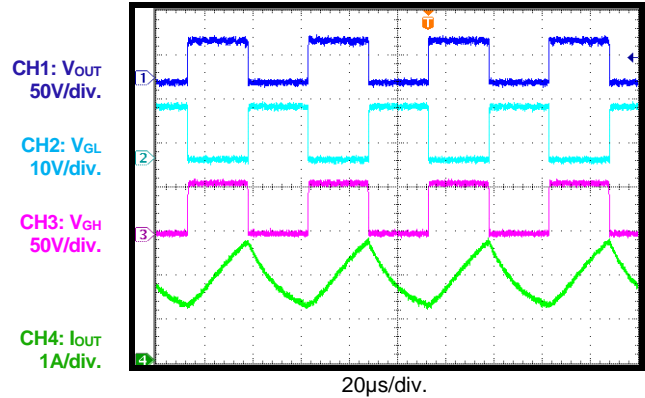
### Steady State

Duty = 10%



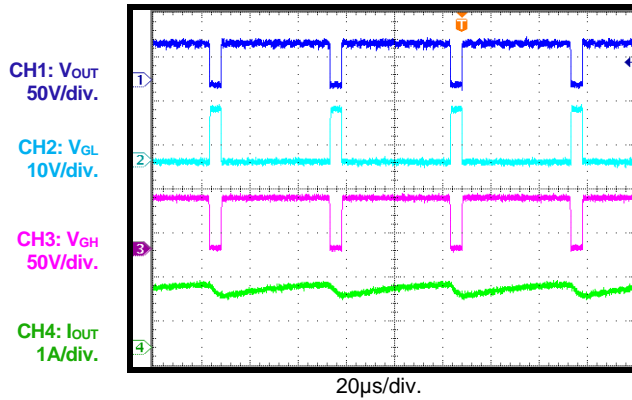
### Steady State

Duty = 50%



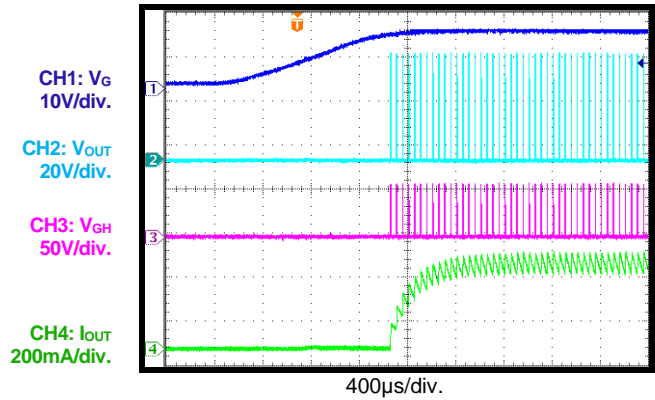
### Steady State

Duty = 90%, 30Ω + 2mH load



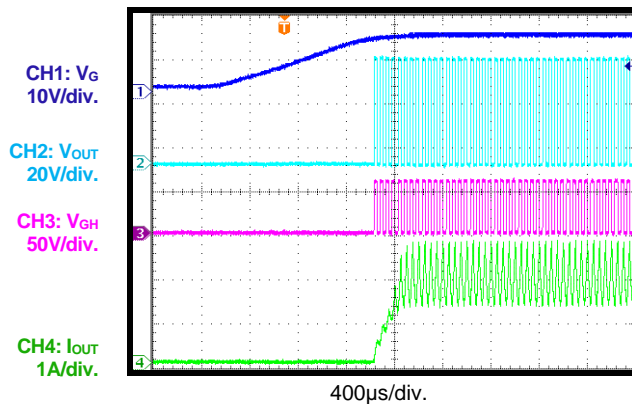
### VG Power Ramping Up

Duty = 10%



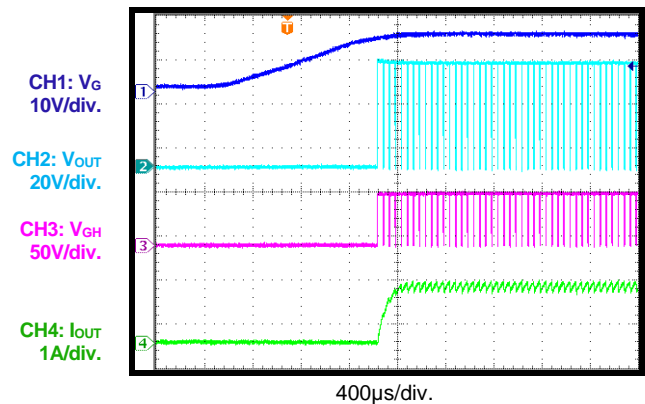
### VG Power Ramping Up

Duty = 50%



### VG Power Ramping Up

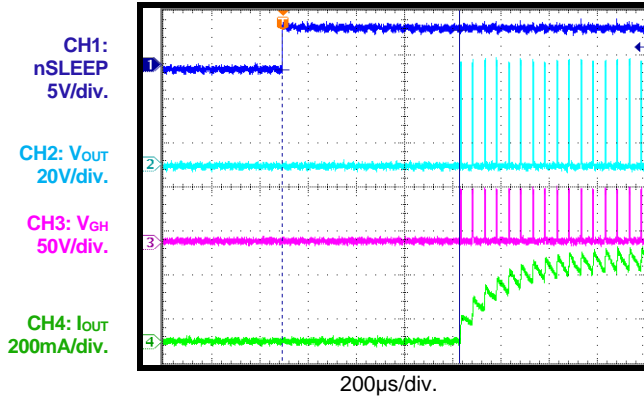
Duty = 90%, 30Ω + 2mH load



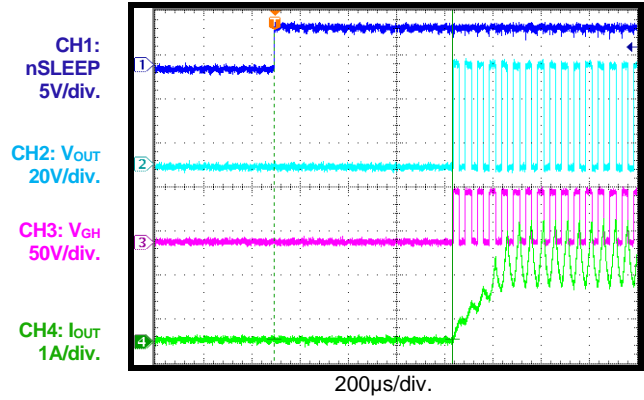
### TYPICAL PERFORMANCE CHARACTERISTICS *(continued)*

$V_G = 12V$ ,  $V_{IN} = 48V$ ,  $SR = CSG = 10k\Omega$ ,  $PWM = 20kHz$ ,  $T_A = 25^\circ C$ , resistor + inductor load:  $10\Omega + 2mH$  to GND, unless otherwise noted.

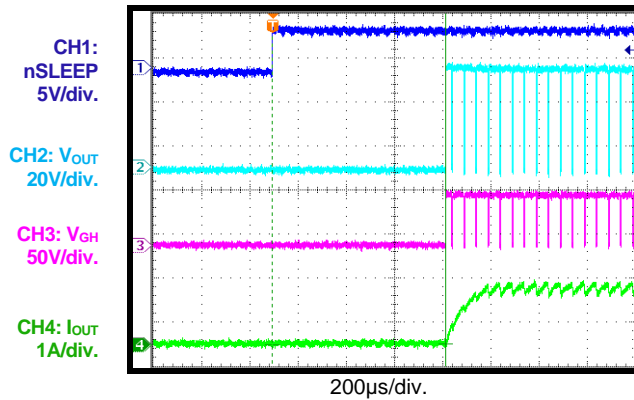
**Sleep Mode Recovery**  
Duty = 10%



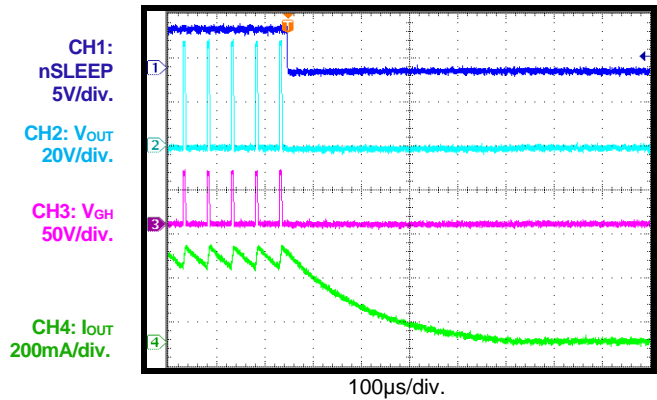
**Sleep Mode Recovery**  
Duty = 50%



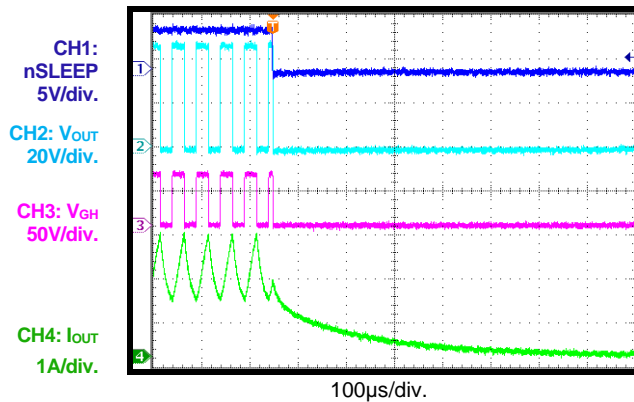
**Sleep Mode Recovery**  
Duty = 90%,  $30\Omega + 2mH$  load



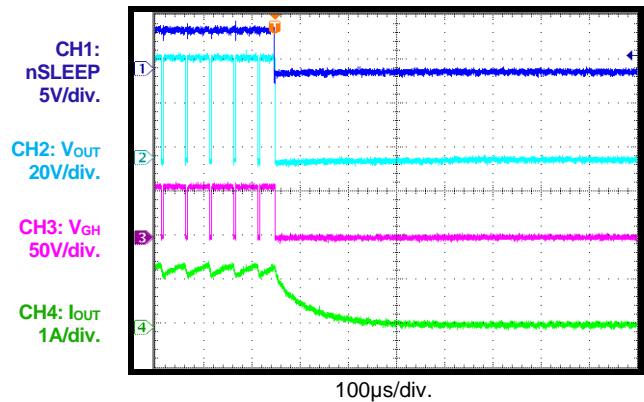
**Sleep Mode Entry**  
Duty = 10%



**Sleep Mode Entry**  
Duty = 50%



**Sleep Mode Entry**  
Duty = 90%,  $30\Omega + 2mH$  load



## FUNCTIONAL BLOCK DIAGRAM

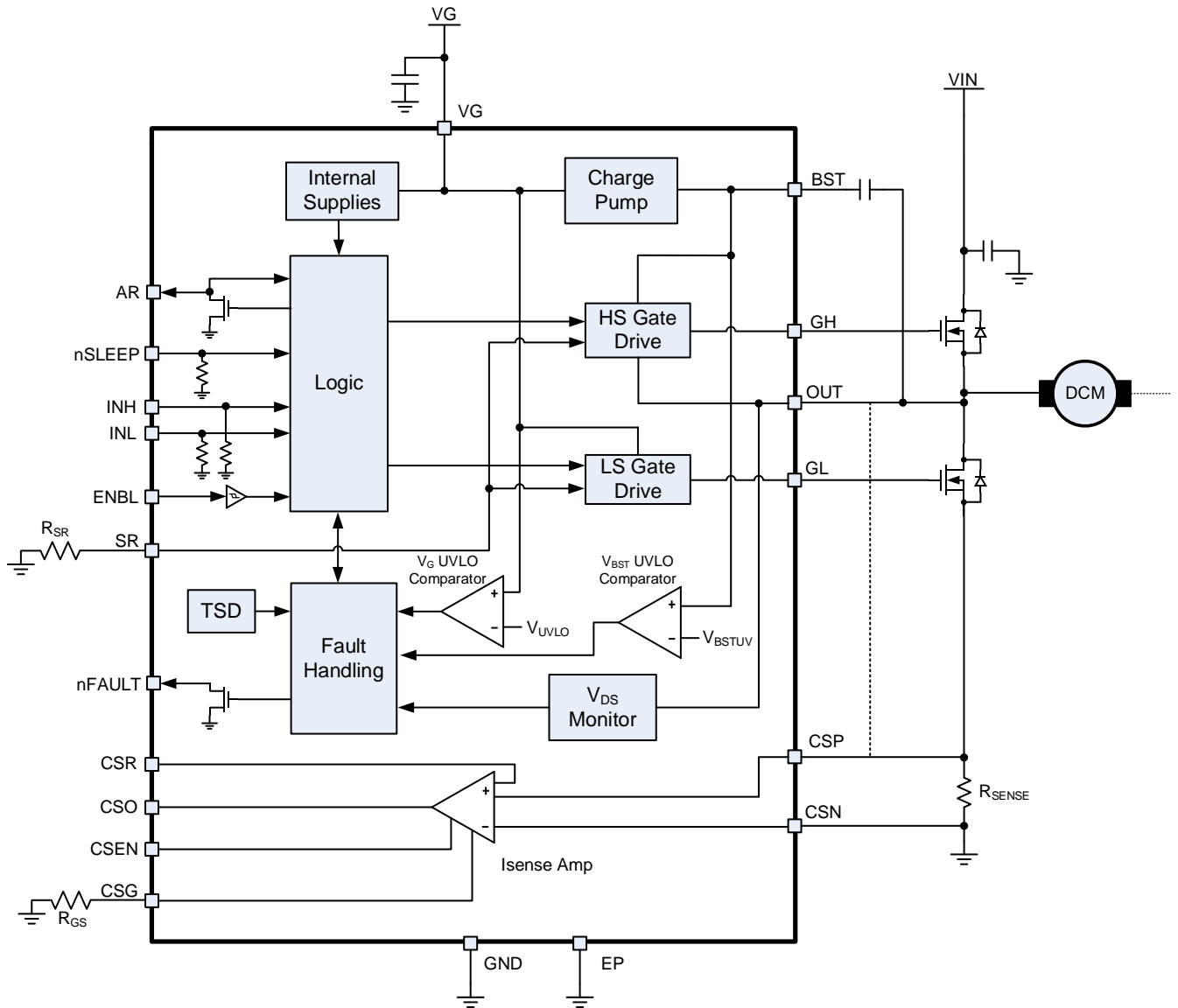


Figure 1: Functional Block Diagram

## OPERATION

The MP1922 is a 100V, single-channel, integrated circuit (IC) half-bridge pre-driver for driving two N-channel power MOSFETs with up to 3A source and 4A sink current capability. The device also supports output supply voltages up to 100V.

The MP1922 features low-power sleep mode, which disables the device and draws a very low supply current. It also provides flexible functions such as configurable output slew rate, adjustable dead-time control, and output desaturation detection, which allow the device to be used in many applications.

### Start-Up

Start-up is initiated by the application of voltage to the VG pin.

To initiate start-up, the VG voltage ( $V_G$ ), which is the power supply voltage for the MP1922, must exceed the  $V_{UVLO}$  threshold (about 3.1V). After  $V_G$  exceeds this threshold, the MP1922 turns on the internal circuitry, including the high-side gate drive charge pump.

If auto-refresh is enabled at start-up and the AR pin is grounded, then the MP1922 initiates a bootstrap (BST) charge cycle by briefly turning off the high-side MOSFET (HS-FET) and turning on the low-side MOSFET (LS-FET) during start-up.

If the output is commanded high (INH = H, INL = L) before the BST charge process is complete, then a fault may be triggered due to insufficient gate drive voltage for fully turning on the HS-FET. If auto-refresh is not enabled, then the LS-FET should be turned on for at least a few microseconds to quickly charge the BST capacitor ( $C_{BST}$ ). Relying on the internal charge pump to initially charge  $C_{BST}$  is not recommended due to limited current capability and the time required to provide sufficient charge to the capacitor.

The start-up process takes between 1ms and 2ms.

### Sleep Operation

By driving nSLEEP low, the device enters a low-power sleep state, in which all internal circuits are disabled and all inputs are ignored. To wake up from sleep mode, about 1ms must pass for the circuits to initialize and for the gate drive charge pump to start up before the device drives the FETs.

### Input Logic

The INH input pin is used to control the HS-FET gate drive. The INL pin controls the LS-FET gate drive. Positive dead time is enforced by the device. If both INH and INL are driven high, then neither FET is driven (see Table 1).

**Table 1: Input Logic**

INL	INH	OUT
H	H	High impedance
H	L	GND
L	H	VIN
L	L	High impedance

The ENBL pin enables the outputs. When ENBL is low, both the high-side (HS) and low-side (LS) gate drive outputs are pulled to ground, disabling both output FETs. The ENBL input can be used for fast protection circuits.

### nFAULT

The nFAULT pin reports to the system when a fault condition, such as output FET desaturation or over-temperature (OT), is detected. nFAULT is an open-drain output, and is pulled low when a fault occurs. If the fault condition is reset by de-asserting ENBL, removing  $V_G$ , or activating nSLEEP, then the nFAULT pin is pulled high by the external pull-up resistor.

The nFAULT pin can be connected to the ENBL input pin and a pull-up resistor to make the MP1922 automatically restart after a fault. When a fault occurs, the nFAULT pin pulls the ENBL pin low, which resets the fault condition. After this reset, the pull-up resistor pulls ENBL high again.

Adding a capacitor in parallel with the pull-up resistor introduces a delay in re-enabling the MP1922 and extends the retry cycle. The RC time constant sets the retry delay.

The state of the nFAULT pin is sampled at start-up. If nFAULT is low, then the desaturation detection feature is disabled.

### Current-Sense Amplifier

An integrated current-sense amplifier magnifies the voltage difference between the CSP input pin and CSN input pin, which is outputted to the CSO pin.

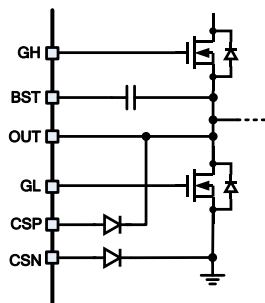
The current-sense amplifier gain is programmed to one of four settings by an external resistor connected between the CSG pin and ground. Table 2 shows the current-sense gain.

**Table 2: Current-Sense Gain**

R <sub>CSG</sub>	Gain
0Ω	210
10kΩ	105
30kΩ	52.5
100kΩ	21

The CSR pin creates a bias in the output toward a positive reference voltage corresponding to zero current. With this method, current can be measured in both positive and negative directions.

The current-sense amplifier is typically used to measure the voltage drop across an LS shunt resistor. In some special applications, the amplifier also measures the voltage drop across the LS-FET by connecting the CSP input to the drain of the LS-FET, and connecting CSN to ground through blocking diodes (see Figure 2).



**Figure 2: Measure LS-FET Voltage Drop**

CSEN is an output enable pin that disables the current-sense amplifier's output. The CSEN pin therefore allows multiple MP1922 devices to be connected to a single analog-to-digital converter (ADC) input, with one CSO output enabled at a time to perform measurements.

To guarantee stability, the CSO pin should not be loaded with capacitance above 100pF. The CSO pin can drive about 500μA of output current (I<sub>OUT</sub>).

### Desaturation Detection

The voltage across both the HS-FET and LS-FET is monitored by a circuit that compares the voltage drop across the FET when it turns on to a reference voltage.

Whenever a FET is turned on, there is a blanking period, and then the voltage across the FET is compared to the reference voltage. If the FET voltage drop exceeds the reference, then the outputs are disabled and the nFAULT pin is driven active low.

The outputs remain disabled until the device is disabled by de-asserting ENBL, removing V<sub>G</sub>, or activating nSLEEP.

### High-Side (HS) Gate Drive Generation

The HS gate drive voltage is typically generated from C<sub>BST</sub> (connected between the OUT pin and BST pin). Each time the LS-FET is turned on, C<sub>BST</sub> is charged.

If the output is held high for a long period of time (typically several seconds), then C<sub>BST</sub> slowly discharges. This discharge eventually results in the loss of the HS-FET gate drive.

To offset this leakage, an internal charge pump generates a small current to maintain the C<sub>BST</sub> charge. In some cases, especially at high temperatures, this trickle current is not sufficient to maintain the voltage on C<sub>BST</sub>.

The BST voltage (V<sub>BST</sub>) is monitored by an under-voltage detection circuit. If the bootstrap voltage falls below the V<sub>BST</sub> under-voltage lockout (UVLO) threshold, then the MP1922 initiates a BST refresh cycle by briefly turning off the HS-FET and turning on the LS-FET.

The auto-refresh behavior is controlled and reported by the AR pin. The state of the AR pin is sampled during start-up. If AR is connected directly to ground, auto-refresh is enabled. If AR is pulled up to a logic supply, then when V<sub>BST</sub> falls below its UVLO threshold, the HS-FET is disabled and the AR pin is pulled low. The system must consequently take action to charge C<sub>BST</sub> by turning on the LS-FET or initiating a new start-up cycle.

### Thermal Shutdown

If the die temperature exceeds safe limits, the MP1922 latches off and the nFAULT pin is pulled low. The device remains disabled until it is reset, either through nSLEEP or removal of  $V_G$ , and re-enabled.

### Slew Rate Control

To quickly reduce electromagnetic interference (EMI) generated by the output switching action, configurable slew rate control is integrated into the MP1922. Slew rate control eliminates the need for series resistors or resistor/diode networks between the IC gate driver and MOSFET gates.

The slew rate is controlled by changing the pull-up and pull-down resistance of the MOSFET gates, which is set by the resistance between the SR pin and ground (see Table 3).

**Table 3: Slew Rate Adjustment**

$R_{SR}$	Pull-Up Resistance	Pull-Down Resistance	Adaptive Dead Time
0 $\Omega$	1.8 $\Omega$	1.4 $\Omega$	No
10k $\Omega$	8 $\Omega$	3.7 $\Omega$	Yes
30k $\Omega$	25 $\Omega$	14 $\Omega$	Yes
100k $\Omega$	100 $\Omega$	42 $\Omega$	Yes

Note that the slew rate can only be set to the four selections shown in Table 3.

During one FET's on period, a strong Miller clamp is applied to the other FET's gate to prevent accidental turn-on due to the parasitics.

### Shoot-Through Protection

The MP1922 does not allow both the HS-FET and the LS-FET to be on at the same time due

to the risk of shoot-through. Shoot-through occurs when any overlap in conduction between the MOSFETs causes a short circuit between the power supply and ground, which creates large transient currents and can destroy the MOSFETs.

To prevent shoot-through in the output FETs, a dead time ( $t_{DEAD}$ ) is inserted between the HS-FET turning off and LS-FET turning on, and vice versa.

When set to limit the output slew rate ( $R_{SR} = 10k\Omega$  to  $100k\Omega$ ), the MP1922 generates an adaptive dead time by monitoring the gate drive output voltage to ensure that a MOSFET gate has been fully discharged before turning on the other MOSFET. Longer dead times can be generated by adding a delay between the INH and INL input signals.

If external series gate resistance is added, then the adaptive shoot-through function may not work correctly, unless a diode parallel to the resistor is added to discharge the gate capacitance.

When the slew rate adjustment is set to full drive strength ( $R_{SR} = 0\Omega$ ), adaptive dead time is disabled. While the simultaneous start-up of the HS-FET and the LS-FET is prevented, no additional dead time is generated. In this case, inserting some delay between the INH and INL input signals is recommended to enforce the dead time requirements and ensure safe operation.



## APPLICATION INFORMATION

### Selecting the MOSFETs

Selecting the correct power MOSFETs to drive a motor is crucial to designing a successful motor drive.

The MOSFET's VDS breakdown voltage must exceed the supply voltage ( $V_{IN}$ ). Adding a margin of at least 10V to 15V is recommended to prevent MOSFET damage from transient voltages caused by parasitic inductances in the PCB layout and wiring. For example, in 24V power supply applications, MOSFETs with a minimum breakdown voltage of 40V to 60V are recommended. A larger margin is ideal in high-current applications, as the transients caused by parasitic inductances may be larger. Conditions such as regenerative braking inject current back into the power supply. Care must be taken to ensure such conditions do not cause a large enough increase in the power supply voltage to damage components.

The MOSFETs must be able to safely pass the current required to run the motor. The highest current condition, which is typically when the motor is first started or stalled (called the stall current of the motor), must be supported.

The MOSFET's on resistance ( $R_{DS(ON)}$ ) is related to its current capability. The MOSFET dissipates power proportional to  $R_{DS(ON)}$  and the motor current:  $P = I^2R$ .  $R_{DS(ON)}$  must be able to safely dissipate heat generated in the desired motor current. In some cases,  $R_{DS(ON)}$  selection may require special PCB design considerations or external heatsinks for the MOSFETs.

Some consideration should be made for the safe operating area of the MOSFETs in the event of fault conditions, such as a short circuit. The IC responds quickly in the event of a short, but there is still a brief period of time (about 1 $\mu$ s to 2 $\mu$ s) during which large currents are able to flow in the MOSFETs while the protection circuits recognize the fault and disable the outputs.

### Selecting the External Capacitor

The MP1922 has an internal charge pump to keep the HS gate drive supply charged. However, the primary source of the HS gate drive voltage is provided by  $C_{BST}$ .

$C_{BST}$  supplies the large peak currents required to turn on the HS-FET. When the output is driven low,  $C_{BST}$  is charged and is then used to enable the MOSFET at high outputs.

The value of  $C_{BST}$  is selected based on the HS-FET's total gate charge. When the MOSFET is on, the charge stored in  $C_{BST}$  is transferred to the MOSFET gate. Estimate the minimum BST capacitance with Equation (1):

$$C_{BOOT} > 8 \times Q_G \quad (1)$$

Where  $Q_G$  is the total gate charge of the MOSFET (in nC), and  $C_{BOOT}$  is the boot capacitance (in nF).

$C_{BST}$  should not exceed 1 $\mu$ F or it may lead to improper operation at start-up.

For most applications, a  $C_{BST}$  between 100nF and 1 $\mu$ F, rated for 25V minimum is recommended. Capacitors should be X5R or X7R ceramic.

The VG power supply input pin requires a bypass capacitor connected to ground. The peak current flowing in VG can be as high as several amps for a short period of time. For an X7R or X5R ceramic capacitor with a 25V minimum rating, a minimum 100nF bypass capacitor placed immediately adjacent to the VG pin is recommended. More capacitance may be required depending on the distance from the power source and any bulk capacitors present on the power rail.

### Dead Time

Since motors are inductive by nature, once current is flowing in the motor, it cannot stop immediately, even if the MOSFETs are turned off. This recirculation current continues to flow in the original direction until the magnetic field decays.

When the MOSFETs are turned off, this current flows through the body diode in the MOSFET device.

MOSFET body diodes have a much larger voltage drop than the MOSFET during conduction, so there is more power dissipated during body diode conduction than when the MOSFET is on. Because of this, it is desirable to minimize the dead time. However, the dead time must be made large enough to guarantee that the HS-FET and the LS-FET are never on at the same time.

Dead time is typically inserted by the microcontroller. The MP1922 prevents shoot-through by prohibiting the HS-FET and LS-FET from being turned on at the same time, but no additional dead time is inserted. If slew rate control is used, then an adaptive dead time function monitors the gate voltage to ensure that there is no shoot-through, regardless of whether a very slow slew rate is selected, or no dead time is inserted by the microcontroller.

### Setting the Slew Rate

The MP1922 has four drive strength settings to control the output MOSFETs' slew rate.

The selected MOSFETs' gate characteristics affect how fast they are switched on and off. At slower slew rate settings, a higher source resistance drives the MOSFET gates, which results in slower turn-on and turn-off transitions on the output.

Setting the ideal slew rate is a compromise. For minimum switching losses, the slew rate must be as fast as possible. High slew rates, however, result in increased radiated and conducted EMI.

The pulse-width modulation (PWM) frequency ( $f_{\text{PWM}}$ ) also impacts the slew rate selection. For very low PWM frequencies (e.g. 8kHz), the slew rate can be very low, as it would still be a small fraction of the overall PWM cycle. For high PWM frequencies (above 50kHz to 75kHz), the slew rate must be fast to prevent it from occupying an inordinate amount of the PWM cycle.

For most applications, it is not necessary to add any external components between the MP1922 and the MOSFET gates. However, in some cases, adding external components (e.g. resistors and diodes) to modify the MOSFET turn-on and turn-off characteristics may be advantageous.

If external components such as resistors and diodes are used in the gate signals, the slew rate must be set to the fastest setting, with the SR pin grounded. For slower slew rate settings, the MP1922's adaptive dead time function monitors the gate voltage to ensure a MOSFET is fully turned off before the other MOSFET is enabled. Placing external components in the gate leads prevents the IC from seeing the real gate voltage, so there is a risk of shoot-through.

If external components are used to slow the transition times, an appropriate dead time must be inserted by the microcontroller to prevent shoot-through.



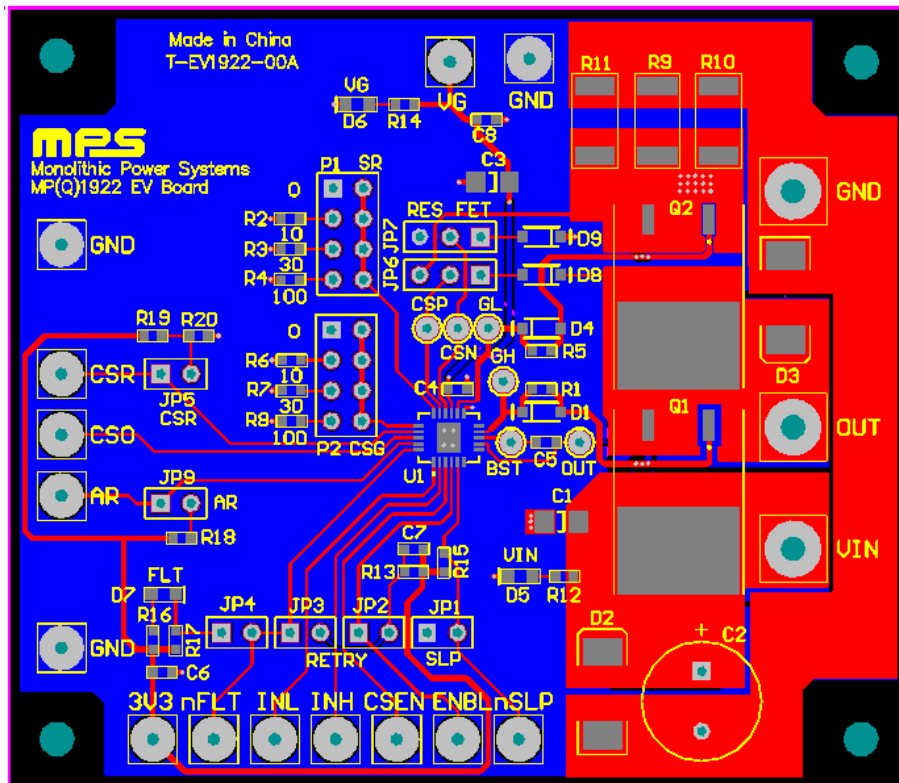
### PCB Layout Guidelines

Proper PCB layout is critical to the performance of MOSFET gate drivers. The MP1922 is designed to accommodate negative undershoot. However, if the undershoot is excessive, unpredictable operation or damage to the IC may result. For the best results, refer to Figure 3 and follow the guidelines below:

1. Make the connection between the HS source and the LS drain must be as direct as possible to avoid negative undershoot on the phase node due to parasitic inductances.
2. Use the surface-mount N-channel MOSFETs to make very short connections between the MOSFETs.
3. Use wide copper areas to connect the LS sense resistor, which is composed of three

parallel resistors (R9, R10, and R11), to both the input supply ground and LS-FET source terminals. All of the high-current paths also utilize wide copper areas.

4. Place the  $C_{BST}$  (C5) and supply bypass capacitor (C4) as close as possible to the IC.
5. Place an additional bulk capacitor (C3) on the  $V_G$  line.
6. Use four vias to connect the ground side of these capacitors (which is connected to a solid ground plane) to both the MP1922's ground pin and exposed pad.
7. Keep the high-current ground path between the input supply, input bulk capacitor (C2), and the MOSFETs away from the IC.



**Figure 3: Recommended PCB Layout**

### TYPICAL APPLICATION CIRCUIT

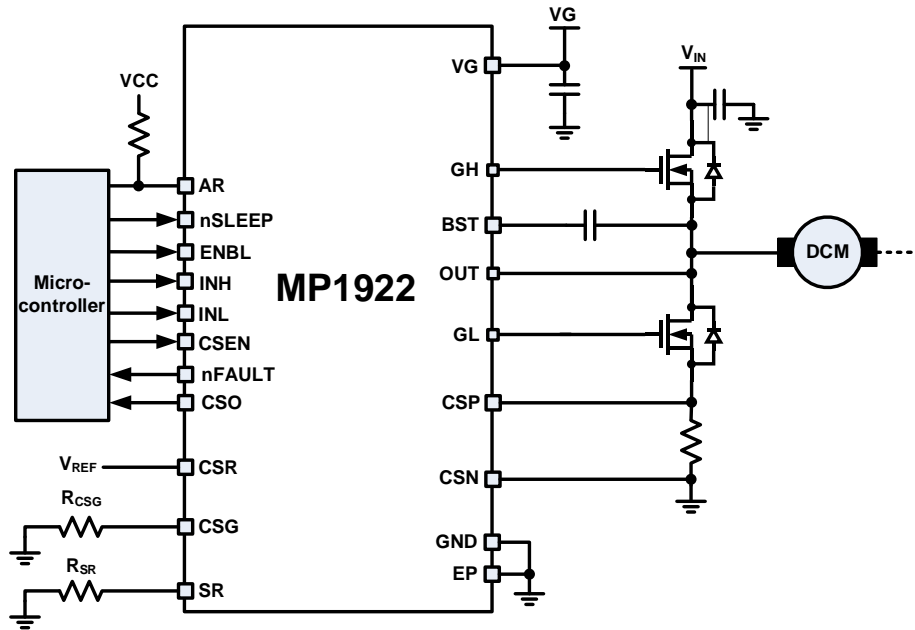
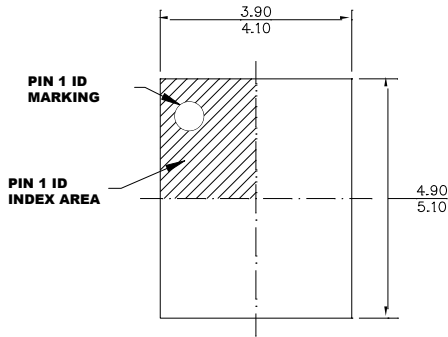


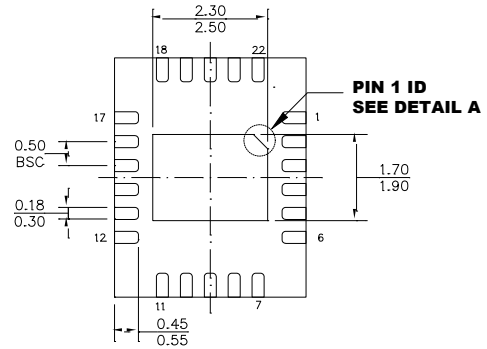
Figure 4: Typical Application Circuit

**PACKAGE INFORMATION**

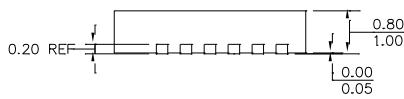
**QFN-22 (4mmx5mm)**



**TOP VIEW**

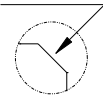


**BOTTOM VIEW**

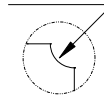


**SIDE VIEW**

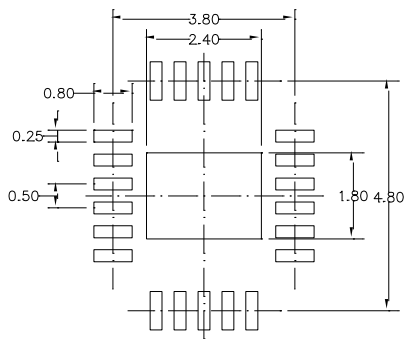
**PIN 1 ID OPTION A  
0.30x45° TYP.**



**PIN 1 ID OPTION B  
R0.25 TYP.**



**DETAIL A**

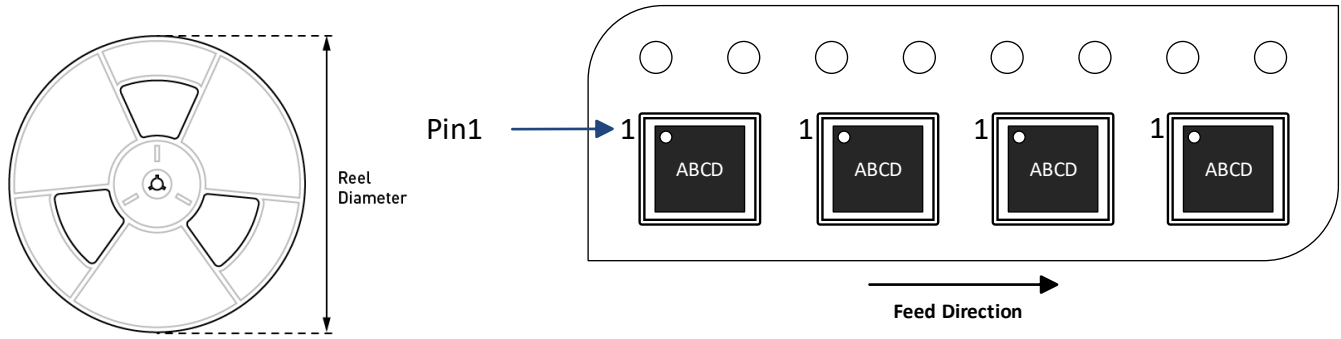


**RECOMMENDED LAND PATTERN**

**NOTE:**

- 1) ALL DIMENSIONS ARE IN MILLIMETERS.
- 2) EXPOSED PADDLE SIZE DOES NOT INCLUDE MOLD FLASH.
- 3) LEAD COPLANARITY SHALL BE 0.08 MILLIMETERS MAX.
- 4) JEDEC REFERENCE IS MO-220.
- 5) DRAWING IS NOT TO SCALE.

### CARRIER INFORMATION



Part Number	Package Description	Quantity/ Reel	Quantity/ Tube	Reel Diameter	Carrier Tape Width	Carrier Tape Pitch
MP1922GV-Z	QFN-22 (4mmx5mm)	5000	N/A	13in	12mm	8mm

## REVISION HISTORY

Revision #	Revision Date	Description	Pages Updated
1.0	09/10/2021	Initial Release	-

**Notice:** The information in this document is subject to change without notice. Please contact MPS for current specifications. Users should warrant and guarantee that third-party Intellectual Property rights are not infringed upon when integrating MPS products into any application. MPS will not assume any legal responsibility for any said applications.