



EV6507-Q-00A

500mA, 15V, Bipolar Stepper Motor Driver Evaluation Board

DESCRIPTION

The EV6507-Q-00A is an evaluation board for the MP6507GQ, a bipolar stepper motor driver with dual, built-in full bridges consisting of N-channel power MOSFETs.

The MP6507 operates from a 2.7V to 15V supply voltage range, and can deliver output currents up to 700mA per channel. The safety features include sink and source current limits implemented with external sensors, under-voltage lockout (UVLO), and thermal shutdown. An over-temperature output flag is available to indicate thermal shutdown.

The EV6507-Q-00A is a fully assembled and tested PCB. The input control signals for the MP6507 are applied through the connector, or generated on the board. The board can drive a bipolar stepper motor in both full-step and half-step mode. It also can drive two independent DC motors.

ELECTRICAL SPECIFICATIONS

Parameter	Symbol	Value	Units
Input voltage	V_{IN}	2.7 to 15	V
Output current	I_{OUT}	500	mA

FEATURES

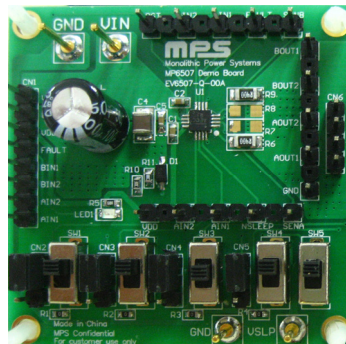
- Wide 2.7V to 15V Input Voltage Range
- Over-Temperature Indication
- Alternative Input Control Signals (External or Generated on Board)

APPLICATIONS

- POS Printers
- Video Security Cameras
- Battery-Powered Devices
- USB-Powered Devices

All MPS parts are lead-free, halogen-free, and adhere to the RoHS directive. For MPS green status, please visit the MPS website under Quality Assurance. "MPS", the MPS logo, and "Simple, Easy Solutions" are trademarks of Monolithic Power Systems, Inc. or its subsidiaries.

EV6507-Q-00A EVALUATION BOARD



(LxWxH) 5cmx5cmx1cm

Board Number	MPS IC Number
EV6507-Q-00A	MP6507GQ

QUICK START GUIDE

1. The power and control signals for the MP6507 are applied through connector CN1. Each pin in the connector is labeled on the EVB. The control signals for AIN1, AIN2, BIN1, and BIN2 can be generated on the board (see step 5 for more details). CN1 also outputs the FAULT signal and VDD (5V) from the IC.
2. Preset the power supply (2.7V to 15V) between the VIN and GND pins on CN1, or the external VIN and GND terminals.
3. Connector CN6 should be connected to the motor winding terminals. Each pin in the connector is labeled on the EVB as AOUT1, AOUT2, BOUT1, or BOUT2. The polarity of these connections affects the direction of the DC motor. For a stepper motor, one winding should be connected to AOUT1 and AOUT2, while the other should be connected to BOUT1 and BOUT2.
4. If SW5 is switched to the VIN position (top side), the SLEEP pin is pulled up to V_{IN} by a resistor divider. This ensures that the part does not enter sleep mode. If sleep mode is controlled externally through a controller, switch SW5 to the VSLP position (bottom side) and connect the SLEEP control signal from the external controller directly to the VSLP terminal.
5. Jumpers (CN2, CN3, CN4, and CN5) select the source of the control signals (AIN1, AIN2, BIN2, and BIN1, respectively).

By placing a shunt between positions 1 and 2, the source of the control signals is routed to connector CN1. This connection allows the user to control these signals through an external controller.

If the shunt is placed between positions 2 and 3, then the source of the control signals is routed to the switches (SW1, SW2, SW3, and SW4). These switches can be used to control the state of the input control signals. Refer to the MP6507 datasheet for more details on the state of the motor outputs for various input combinations.

6. Diode LED1 indicates the FAULT pin status. If over-temperature protection (OTP) occurs, the FAULT pin is pulled low, and the LED lights up.
7. R6 and R7, as well as R8 and R9, are the current-sense resistors directly connected to SENA and SENB, respectively. The other sides of these resistors are connected to GND. These resistors control the current through the MP6507, which is set to 500mA per channel. To change the output current, the resistor values must be changed as well. The relationship between the output current limit and R6 and R7, or R8 and R9, can be calculated with Equation (1) or Equation (2), respectively:

$$I_{LIMIT-A} = \frac{185mV}{R6 // R7} \quad (1)$$

$$I_{LIMIT-B} = \frac{185mV}{R8 // R9} \quad (2)$$

EVALUATION BOARD SCHEMATIC

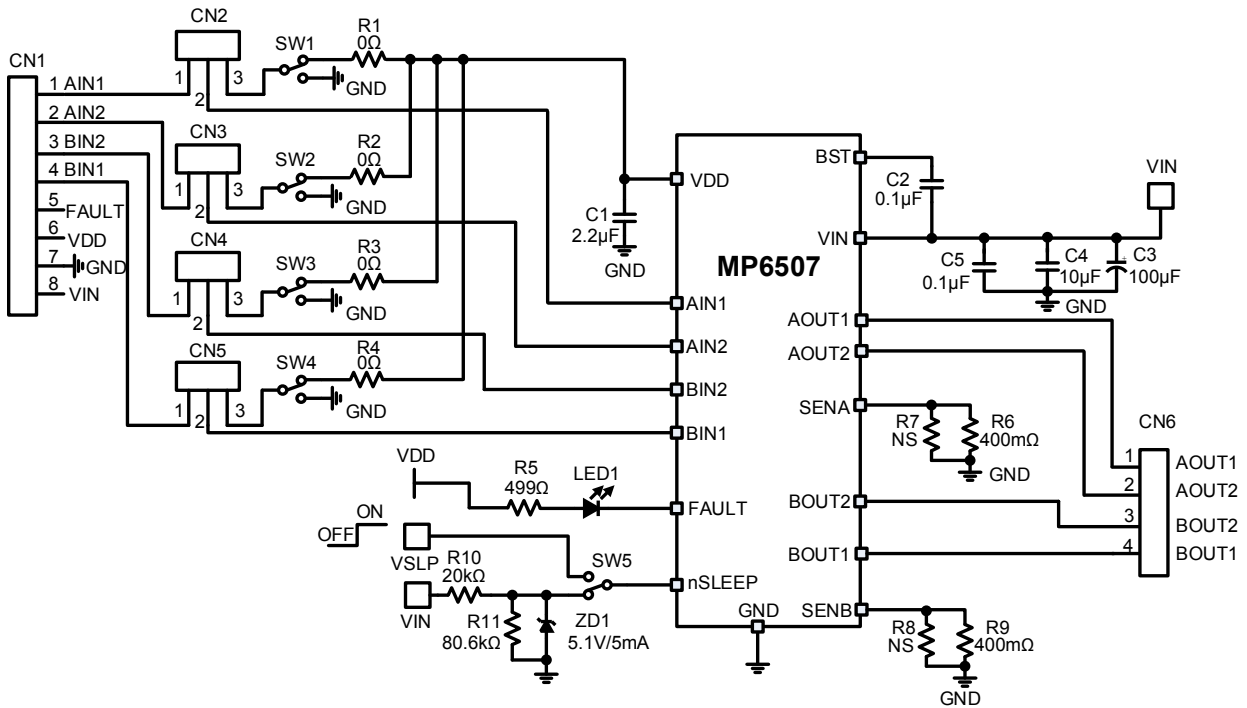


Figure 1: Evaluation Board Schematic

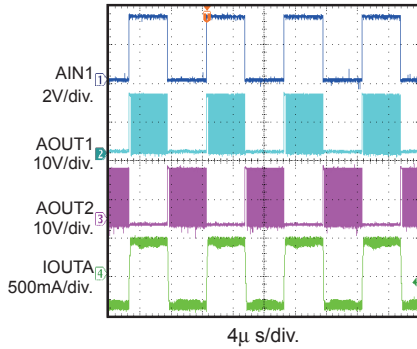
EV6507-Q-00A BILL OF MATERIALS

Qty	Ref	Value	Description	Package	Manufacturer	Part Number
1	C1	2.2 μ F	Ceramic capacitor, 10V, X7R	0603	Murata	GRM188R71A225KE15D
2	C2, C5	0.1 μ F	Ceramic capacitor, 25V, X7R	0603	Murata	GRM188R71E104KA01D
1	C3	100 μ F	Electrolytic capacitor, 50V, X5R	DIP	Jianghai	CD287-50V100
1	C4	10 μ F	Ceramic capacitor. 50V, X7R	1206	Murata	GRM32ER71H106KA12L
4	R1, R2 R3, R4	0 Ω	Film resistor, 5%	0603	Royal Ohm	0603J0000T5E
1	R5	499 Ω	Film resistor, 1%	0603	Yageo	RC0603FR-07499RL
2	R6, R9	400m Ω	Film resistor, 1%	1206	Yageo	RL1206FR-070R4L
2	R7, R8	NS				
1	R10	20k Ω	Film resistor, 1%	0603	Yageo	RC0603FR-0720KL
1	R11	80.6k Ω	Film resistor, 1%	0603	Yageo	RC0603FR-0780K6L
1	ZD1	5.1V, 5mA	Zener diode	SOD-123	Diodes	BZT52C5V1
1	LED1	Red	LED	0805	Bright LED	BL-HUF35A-TRB
5	SW1, SW2, SW3, SW4, SW5	SPDT	Button	DIP	Any	
1	CN1	8-bits/ 2.54mm	Connector	DIP	Any	
4	CN2, CN3, CN4, CN5	3-bits/ 2.54mm	Connector	DIP	Any	
4	CN2, CN3, CN4, CN5	2.54mm	Short jumper	DIP	Any	
1	CN6	4-bits/ 2.54mm	Connector	DIP	Any	
4	VIN, VSLP, GND, GND	$\Phi = 1\text{mm}$	Connector	DIP	Any	
1	U1	15V, 0.7A	Stepper motor driver	QFN-16 (3mmx3mm)	MPS	MP6507GQ

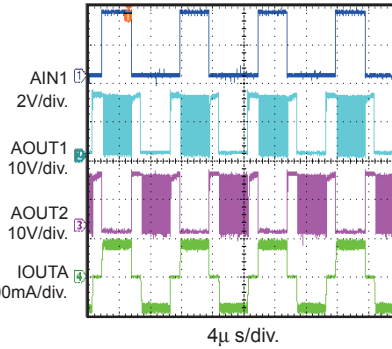
EVB TEST RESULTS

Performance waveforms are tested on the evaluation board. $I_{OUT} = 500\text{mA}$, $F_{step} = 100\text{Hz}$. Stepper Motor: $L = 2\text{mH}$, $R = 10\Omega$, $T_A = 25^\circ\text{C}$, unless otherwise noted.

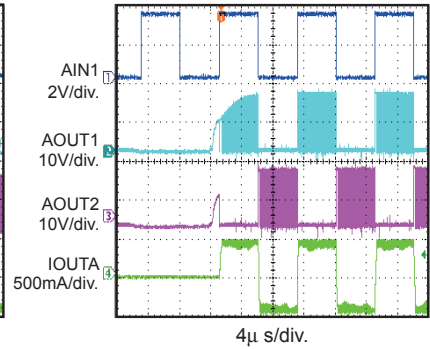
Steady State (Full Step)
 $V_{IN} = 15\text{V}$



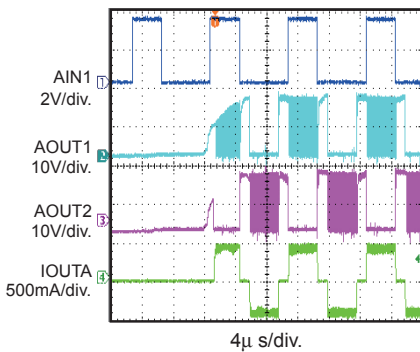
Steady State (Half-Step)
 $V_{IN} = 15\text{V}$



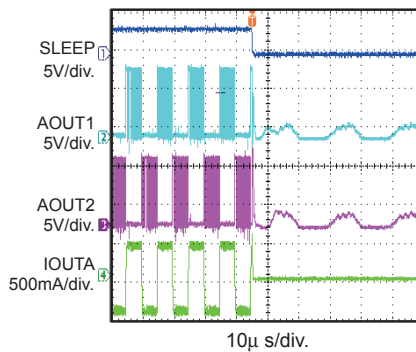
Power Ramp Up (Full Step)
 $V_{IN} = 15\text{V}$



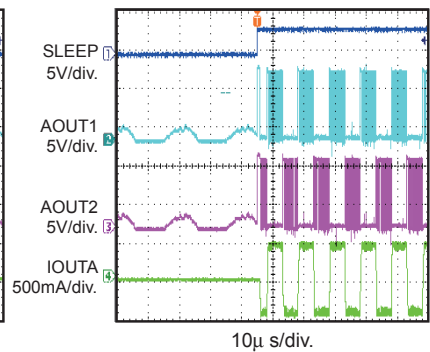
Power Ramp Up (Half-Step)
 $V_{IN} = 15\text{V}$



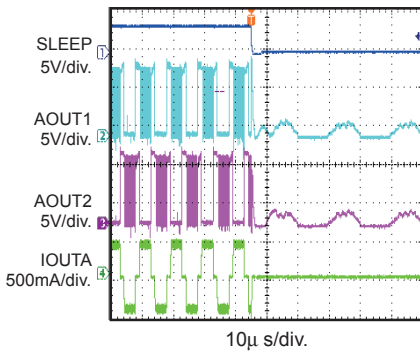
Sleep Entry (Full Step)
 $V_{IN} = 9\text{V}$



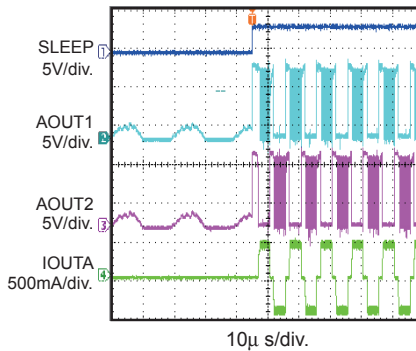
Sleep Recovery (Full Step)
 $V_{IN} = 9\text{V}$



Sleep Entry (Half-Step)
 $V_{IN} = 9\text{V}$



Sleep Recovery (Half-Step)
 $V_{IN} = 9\text{V}$



PCB LAYOUT

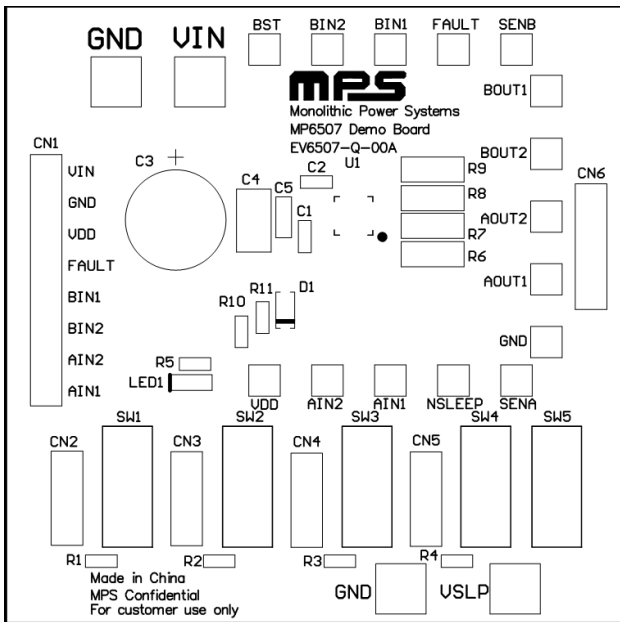


Figure 2: Top Silk Layer

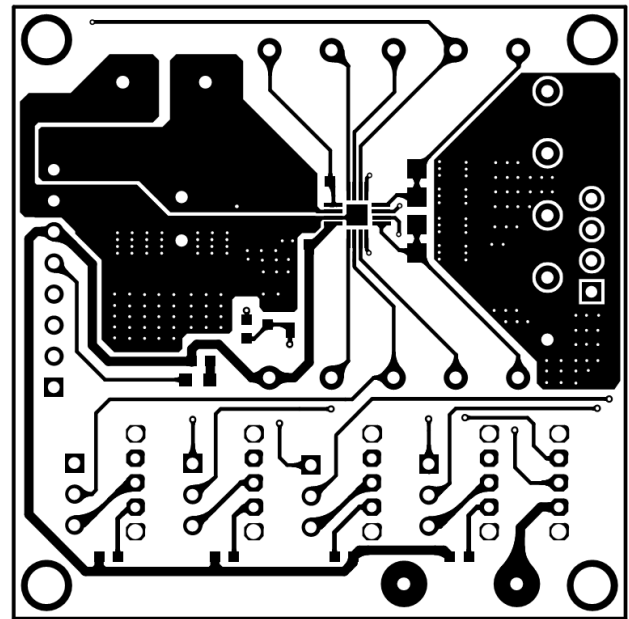


Figure 3: Top Layer

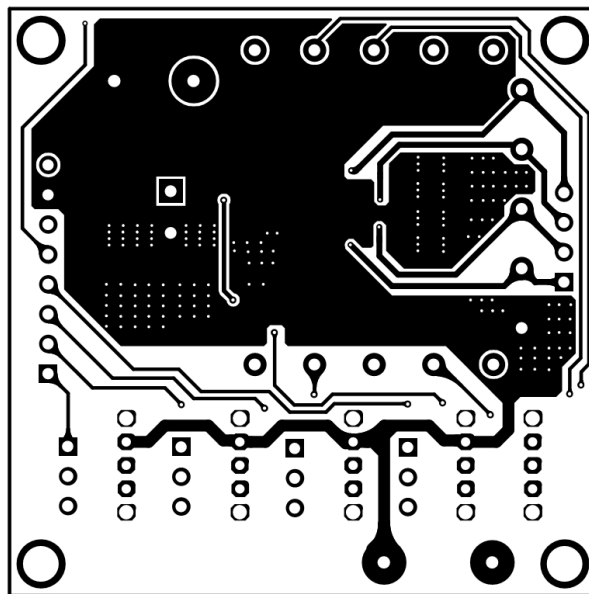


Figure 4: Bottom Layer

Notice: The information in this document is subject to change without notice. Please contact MPS for current specifications. Users should warrant and guarantee that third-party Intellectual Property rights are not infringed upon when integrating MPS products into any application. MPS will not assume any legal responsibility for any said applications.