

DESCRIPTION

The EV158-S-00A Evaluation Board is designed to demonstrate the capabilities of MP158. The MP158 is a primary-side constant voltage regulator providing accurate constant voltage (CV) regulation without Opto-coupler. It supports Buck, Buck-Boost, Boost and Flyback topologies.

The EV158-S-00A Evaluation Board is designed as Buck application. EV158-S-00A typically drives 5V/50mA load from 85VAC to 265VAC, at 60/50Hz.

The EV158-S-00A has an excellent efficiency and meets 1kV IEC61000-4-5 surge immunity and EN55022 conducted EMI requirements. MP158 features various protections, including thermal shutdown (TSD), VCC under-voltage lockout (UVLO), over-load protection (OLP), short-circuit protection (SCP), and open loop protection.

MP158 is available in TSOT23-5 and SOIC8 package.

ELECTRICAL SPECIFICATION

Parameter	Symbol	Value	Units
Input Voltage	V_{IN}	85 to 265	VAC
Output Voltage	V_{OUT}	5	V
Output Current	I_{OUT}	50	mA

FEATURES

- Primary-Side non-isolated Constant Voltage (CV) control
- Integrated 500V/20Ω MOSFET
- <100mW no-load power consumption
- Peak-Current control with peak current compression
- Low VCC operating current
- Limited maximum frequency
- Frequency foldback
- Multiple protections: SCP, OLP, open-loop protection, TSD, and VCC UVLO
- Low cost and simple external circuit
- Internally biased VCC

APPLICATIONS

- Home appliance, and consumer electronics
- Home automation
- Standby power

All MPS parts are lead-free, halogen free, and adhere to the RoHS directive. For MPS green status, please visit MPS website under Quality Assurance. "MPS" and "The Future of Analog IC Technology" are Registered Trademarks of Monolithic Power Systems, Inc.



Warning: Although this board is designed to satisfy safety requirements, the engineering prototype has not been agency approved. Therefore, all testing should be performed using an isolation transformer to provide the AC input to the prototype board.

EV158-S-00A EVALUATION BOARD



(L x W x H) 17mm x 22mm x 17mm

Board Number	MPS IC Number
EV158-S-00A	MP158GS

EVALUATION BOARD SCHEMATIC

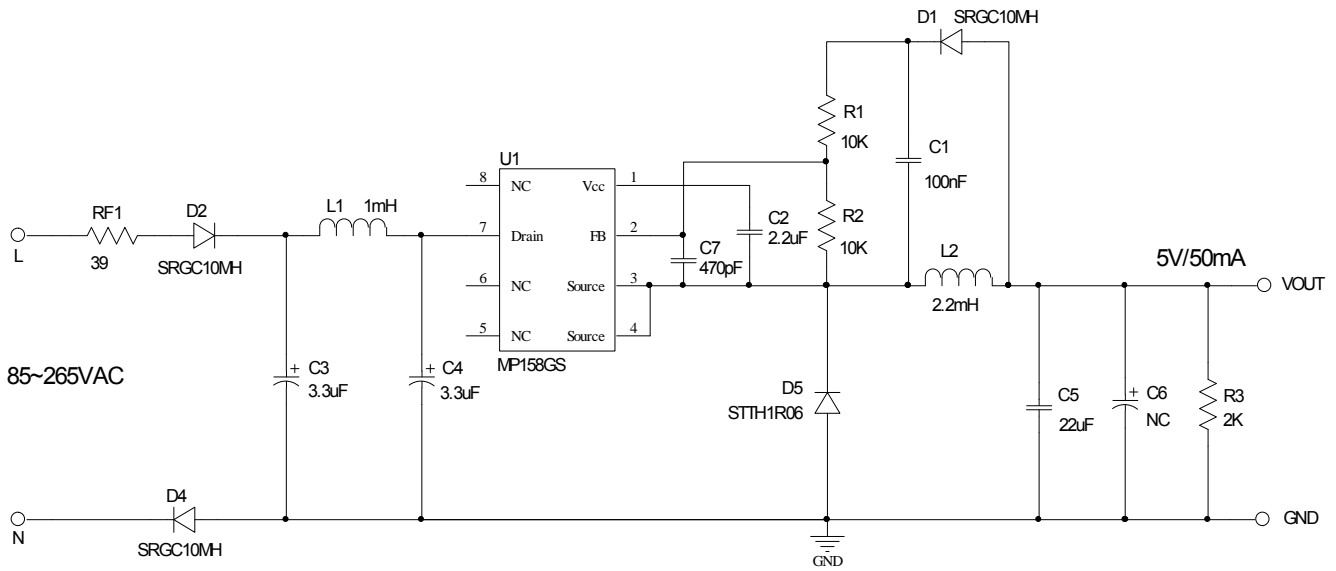


Figure 1—Schematic

BILL OF MATERIALS

Qty	Ref	Value	Description	Package	Manufacturer	Part Number
1	C1	100nF	Ceramic Capacitor;25V;X7R	0603	muRata	GRM188R71E104KA01D
1	C2	2.2 μ F	Ceramic Capacitor;10V;X7R	0603	muRata	GRM188R71A225KE15D
2	C3, C4	3.3 μ F	Electrolytic Capacitor;400V	DIP	Rubycon	400LLE3R3MEFC8X11.5
1	C5	22 μ F	Ceramic Capacitor;25V;X5R	1206	muRata	GRM31CR61E226KE15
1	C7	470pF	Ceramic Capacitor;50V;X7R	0603	TDK	C1608X7R1H471K
3	D1,D2,D4	SRGC10MH	Diode;1000V;1A	1206	ZOWIE	SRGC10MH
1	D3	STTH1R06	Diode;600V;1A	DO-41	ST	STTH1R06
1	L1	1mH	Inductor; 17.4Ohm; 100mA	DIP	Any	CKL0410-102
1	L2	2.2mH	Inductor;60hm;180mA	DIP	Any	Any
2	R1, R2	10k	Film Resistor;1%	0603	Yageo	RC0603FR-0710KL
1	R3	2k	Film Resistor;5%	0603	Yageo	RC0603JR-072KL
1	RF1	39	Fuse Resistor;5%;1W	DIP	Yageo	FKN1WSJT-50-39R
1	U1	MP158	Buck Regulator	SOIC8	MPS	MP158GS

PCB LAYOUT (SINGLE-SIDED)

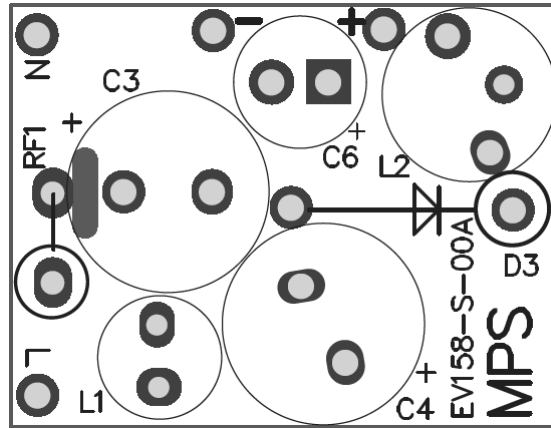


Figure 2—Top Layer

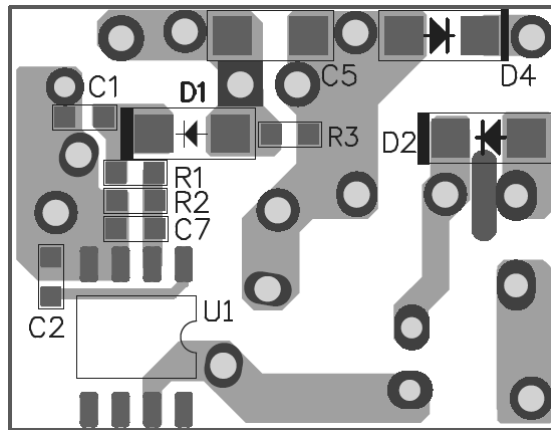


Figure 3—Bottom Layer

CIRCUIT DESCRIPTION

The EV158-S-00A is configured in a buck topology to demonstrate the performance of MP158. MP158 is a primary side controller which provides accurate constant voltage. It simplifies the schematic and minimizes the BOM cost.

FR1 is used to protect circuit from component failure or some excessive short events; also it can restrain the inrush current.

C3, L1 and C4 compose CLC filter to meet the conducted EMI standard EN55022. C3 is also used for energy storage and protecting against line surge.

With FR1, C3 and C4 used, EV158-S-00A meets 1kV IEC61000-4-5 surge immunity standard.

C1 is the sample-hold capacitor used for reflecting output voltage. R1 and R2 are resistor divider for detecting output voltage by sampling voltage on C1.

D3 is the freewheeling diode. For universal voltage applications, use a diode with a 600V reverse block voltage. Fast recovery diode or ultra fast diode is recommended for better efficiency and reliable operation.

C5 is the output capacitors for 5V output. R3 is dummy load to lower the output voltage of 5V rail at no load condition.

QUICK START GUIDE

1. Preset power supply to $85\text{VAC} \leq V_{\text{IN}} \leq 265\text{VAC}$.
2. Turn power supply off.
3. Connect the Line and Neutral terminals of the power supply output to L and N port.
4. Connect load positive and negative terminals to corresponding + and - outputs.
5. Turn power supply on after making connections.

NOTICE: The information in this document is subject to change without notice. Please contact MPS for current specifications. Users should warrant and guarantee that third party Intellectual Property rights are not infringed upon when integrating MPS products into any application. MPS will not assume any legal responsibility for any said applications.