

## DESCRIPTION

The MP6513L is an H-bridge motor driver used for driving reversible motors, which can drive one DC motor, one winding of a stepper motor, or other loads. The H-bridge consists of four N-channel power MOSFETs. An internal charge pump generates the necessary gate-drive voltages.

The MP6513L operates on a motor power supply voltage from 2.5V to 5.5V, which can supply an output current of up to 0.6A according to the logic control.

The MP6513L is controlled by two input pins. The two on/off inputs determine the output mode: forward, reverse, coast, or brake. Brake is applied when stopping the motor (when inputs 1 and 2 are both at a high level). Very low standby circuit current can be achieved when inputs 1 and 2 are both at a low level.

Full protection features include over-current protection (OCP), short-circuit protection (SCP), under-voltage lockout (UVLO), and over-temperature protection (OTP).

The MP6513L requires a minimum number of readily available, standard, external components and is available in a TSOT23-6 package.

## FEATURES

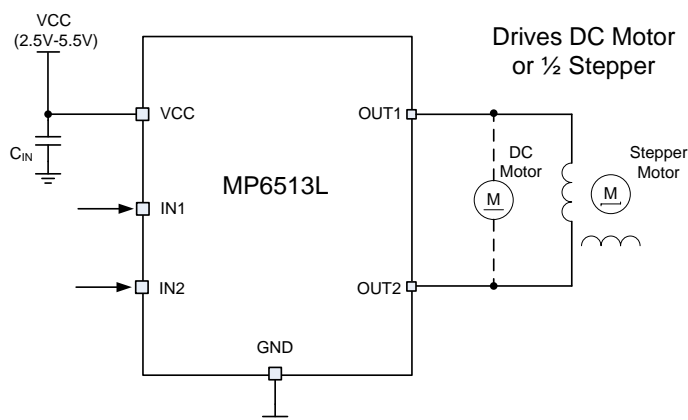
- Wide 2.5V to 5.5V Operating Input Range
- 0.6A Maximum Output Current
- Low MOSFET On Resistance (HS: 500mΩ; LS: 500mΩ)
- Forward, Reverse, Coast, or Brake Output Modes
- Low Standby Circuit Current when Inputs 1 and 2 are Both Low
- Thermal Shutdown
- Internal Charge Pump
- Cycle-by-Cycle Over-Current Protection (OCP)
- Short-Circuit Protection (SCP)
- Available in a TSOT23-6 Package

## APPLICATIONS

- Cameras
- Toys
- Consumer Products
- Medical Devices

All MPS parts are lead-free, halogen-free, and adhere to the RoHS directive. For MPS green status, please visit the MPS website under Quality Assurance. "MPS" and "The Future of Analog IC Technology" are registered trademarks of Monolithic Power Systems, Inc.

## TYPICAL APPLICATION



### ORDERING INFORMATION

| Part Number* | Package  | Top Marking |
|--------------|----------|-------------|
| MP6513LGJ    | TSOT23-6 | See Below   |

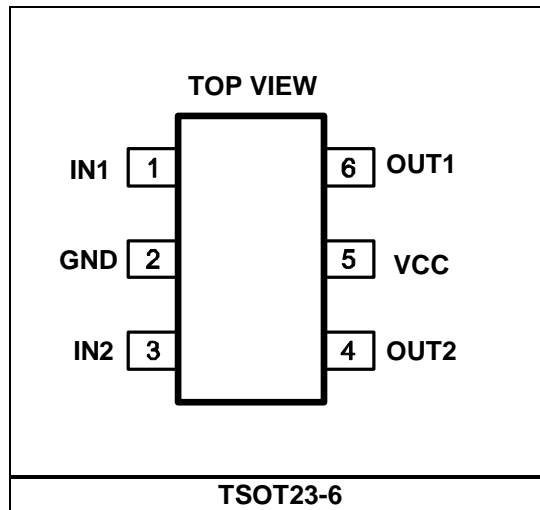
\* For Tape & Reel, add suffix -Z (e.g. MP6513LGJ-Z)

### TOP MARKING

|ATVY

ATV: Product code of MP6513LGJ  
Y: Year code

### PACKAGE REFERENCE



**ABSOLUTE MAXIMUM RATINGS** <sup>(1)</sup>

|  |                                 |
|--|---------------------------------|
| Supply voltage (V <sub>CC</sub> ) .....                              | -0.3V to +6.5V                  |
| V <sub>OUTX</sub> .....  | -0.3V to V <sub>CC</sub> + 0.3V |
| All other pins .....   | -0.3V to +6 V                   |
| Continuous power dissipation (T <sub>A</sub> = +25°C) <sup>(2)</sup> | 1.14W                           |
| Junction temperature .....   | 150°C                           |
| Lead temperature .....   | 260°C                           |
| Storage temperature .....  | -60°C to +150°C                 |

**Recommended Operating Conditions** <sup>(3)</sup>

|  |                 |
|--|-----------------|
| Supply voltage (V <sub>CC</sub> ) .....        | 2.5V to 5.5V    |
| Operating junction temp. (T <sub>J</sub> ) ... | -40°C to +125°C |

|  |                       |                       |      |
|--|-----------------------|-----------------------|------|
| <b>Thermal Resistance</b> <sup>(4)</sup> | <b>θ<sub>JA</sub></b> | <b>θ<sub>JC</sub></b> |      |
| TSOT23-6.....                            | 110.....              | 55.....               | °C/W |

**NOTES:**

- 1) Exceeding these ratings may damage the device.
- 2) The maximum allowable power dissipation is a function of the maximum junction temperature T<sub>J</sub> (MAX), the junction-to-ambient thermal resistance θ<sub>JA</sub>, and the ambient temperature T<sub>A</sub>. The maximum allowable continuous power dissipation at any ambient temperature is calculated by P<sub>D</sub> (MAX) = (T<sub>J</sub> (MAX)-T<sub>A</sub>)/θ<sub>JA</sub>. Exceeding the maximum allowable power dissipation produces an excessive die temperature, causing the regulator to go into thermal shutdown. Internal thermal shutdown circuitry protects the device from permanent damage.
- 3) The device is not guaranteed to function outside of its operating conditions.
- 4) Measured on JESD51-7, 4-layer PCB.

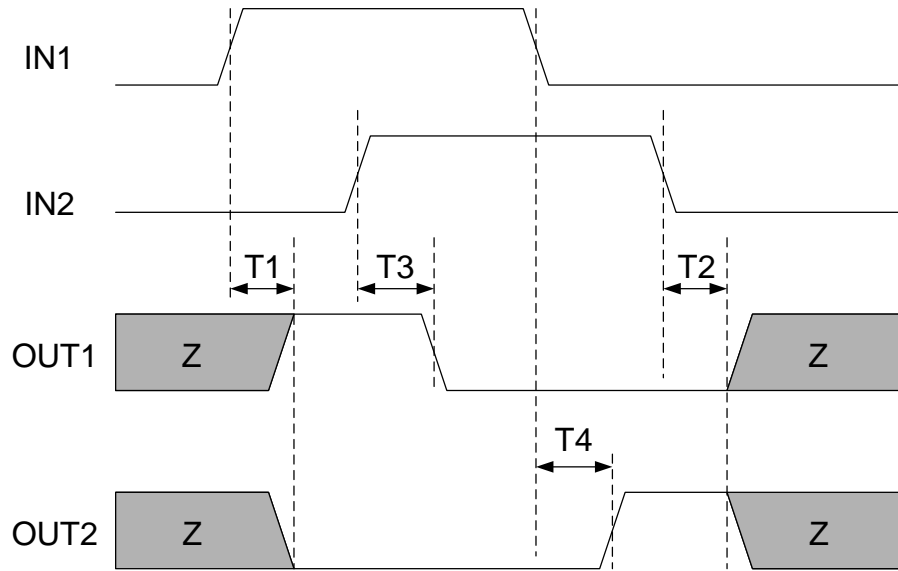
## ELECTRICAL CHARACTERISTICS

$V_{CC} = 5V$ ,  $T_J = -40^{\circ}C$  to  $125^{\circ}C$ , unless otherwise noted.

| Parameters                                 | Symbol       | Condition                            | Min  | Typ  | Max  | Units       |
|--|--------------|--------------------------------------|------|------|------|-------------|
| Operating supply current                   |              |                                      |      | 0.82 | 1.2  | mA          |
| Sleep mode supply current                  | $I_Q$        | IN1 = 0V, IN2 = 0V                   |      | 200  |      | nA          |
| Under-voltage lockout threshold rising     |              |                                      |      | 2.2  | 2.45 | V           |
| Under-voltage lockout threshold hysteresis |              |                                      |      | 200  |      | mV          |
| Input high voltage                         | $V_{IH}$     |                                      | 1.75 |      |      | V           |
| Input low voltage                          | $V_{IL}$     |                                      |      |      | 0.4  | V           |
| Input high current                         | $I_{IH}$     | VIN = 3.3V                           |      |      | 50   | $\mu A$     |
| Input low current                          | $I_{IL}$     | VIN = 0V                             | -5   |      | 5    | $\mu A$     |
| Input pull-down resistance                 | $R_{PD}$     |                                      |      | 100  |      | k $\Omega$  |
| HS switch on resistance                    | $R_{DS(ON)}$ | IO = 100mA,<br>$T_A = 25^{\circ}C$ , |      | 0.5  | 0.6  | $\Omega$    |
| LS switch on resistance                    | $R_{DS(ON)}$ | IO = 100mA,<br>$T_A = 25^{\circ}C$ , |      | 0.5  | 0.6  | $\Omega$    |
| Current limit                              | $I_{OCP}$    |                                      | 1    |      | 2    | A           |
| OCP retry time                             | $T_{OCR}$    |                                      |      | 0.85 |      | ms          |
| Sleep entry time                           |              | IN1 = 0V, IN2 = 0V<br>for 2ms        |      | 2    | 5    | ms          |
| Sleep recovery time                        |              | IN1 or IN2 or both =<br>high level   |      |      | 27   | $\mu s$     |
| Output enable time                         | $T1^{(6)}$   |                                      |      |      | 200  | ns          |
| Output disable time                        | $T2^{(6)}$   |                                      |      |      | 260  | ns          |
| Delay time                                 | $T3^{(6)}$   | INx high to OUTx<br>high             |      |      | 270  | ns          |
|  | $T4^{(6)}$   | INx low to OUTx low                  |      |      | 350  | ns          |
| Output rise time                           |              |                                      | 30   |      | 220  | ns          |
| Output fall time                           |              |                                      | 30   |      | 170  | ns          |
| Dead time                                  |              |                                      |      | 100  |      | ns          |
| Thermal shutdown threshold <sup>(5)</sup>  | $T_{TSD}$    |                                      |      | 160  |      | $^{\circ}C$ |
| Thermal shutdown hysteresis <sup>(5)</sup> |              |                                      |      | 25   |      | $^{\circ}C$ |

### NOTES:

- 5) Guaranteed by design.  
6) See Figure 1.

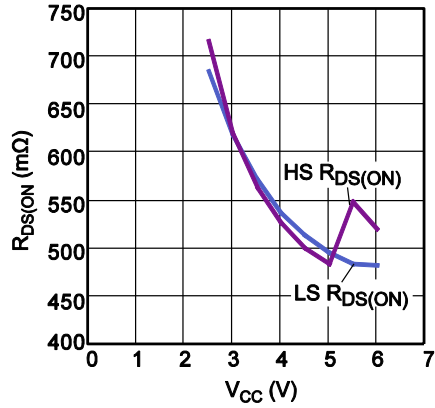


**Figure 1: Input/Output Timing**

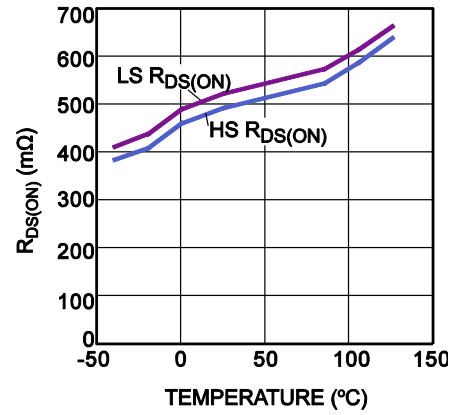
## TYPICAL PERFORMANCE CHARACTERISTICS

$V_{CC} = 5V$ ,  $T_A = 25^\circ C$ , unless otherwise noted.

**$R_{DS(ON)}$  vs.  $V_{CC}$**



**$R_{DS(ON)}$  vs. Temperature**

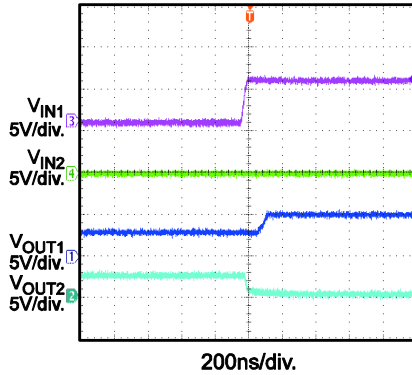


## TYPICAL PERFORMANCE CHARACTERISTICS (CONTINUED)

$V_{CC} = 5V$ ,  $T_A = 25^\circ C$ , unless otherwise noted.

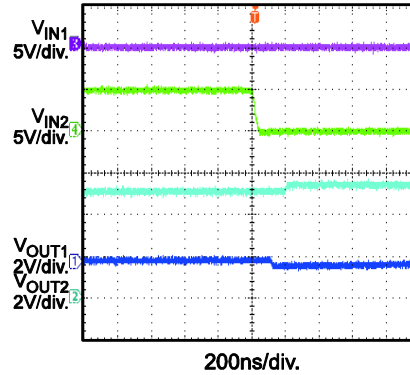
### Output Enable Time (T1)

$V_{DD} = 5V$ , No Load



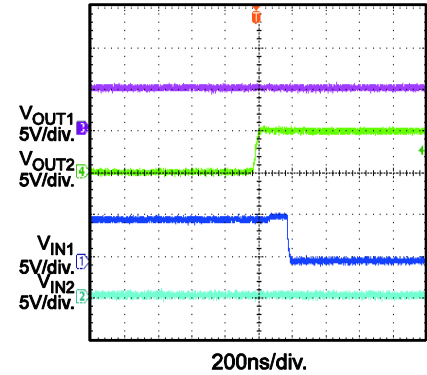
### Output Disable Time (T2)

$V_{CC} = 5V$ , No Load



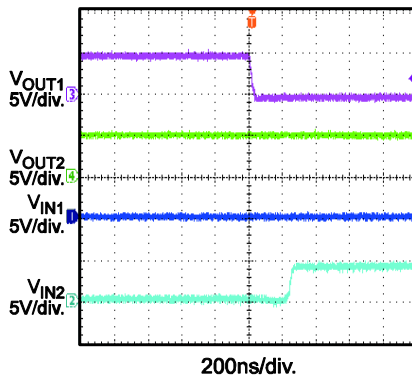
### Propagation Delay (T3)

$V_{CC} = 5V$ ,  $21\Omega + 0.2mH$



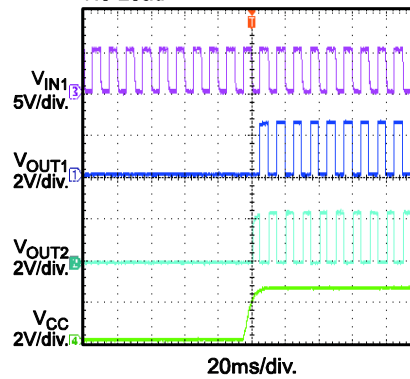
### Propagation Delay (T4)

$V_{CC} = 5V$ ,  $21\Omega + 0.2mH$



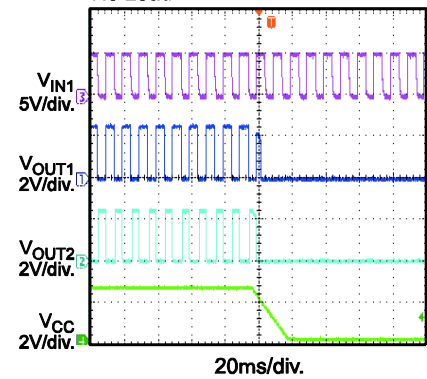
### Power Start-Up

$V_{DD} = 2.5V$ , PWM = 100Hz,  
No Load



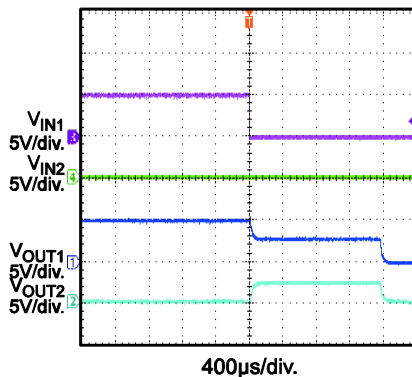
### Power Shutdown

$V_{CC} = 2.5V$ , PWM = 100Hz,  
No Load



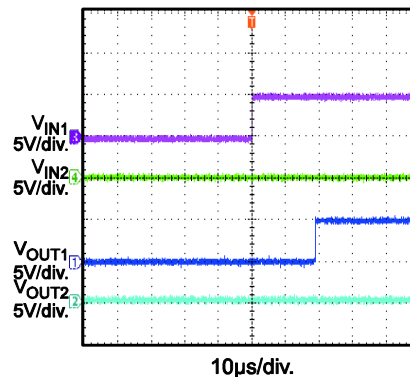
### Sleep Mode Entry

$V_{DD} = 5V$ , No Load



### Sleep Mode Recovery

$V_{CC} = 12V$ ,  $IN1 = IN2 = H \rightarrow IN1 = H$ ,  
No Load.

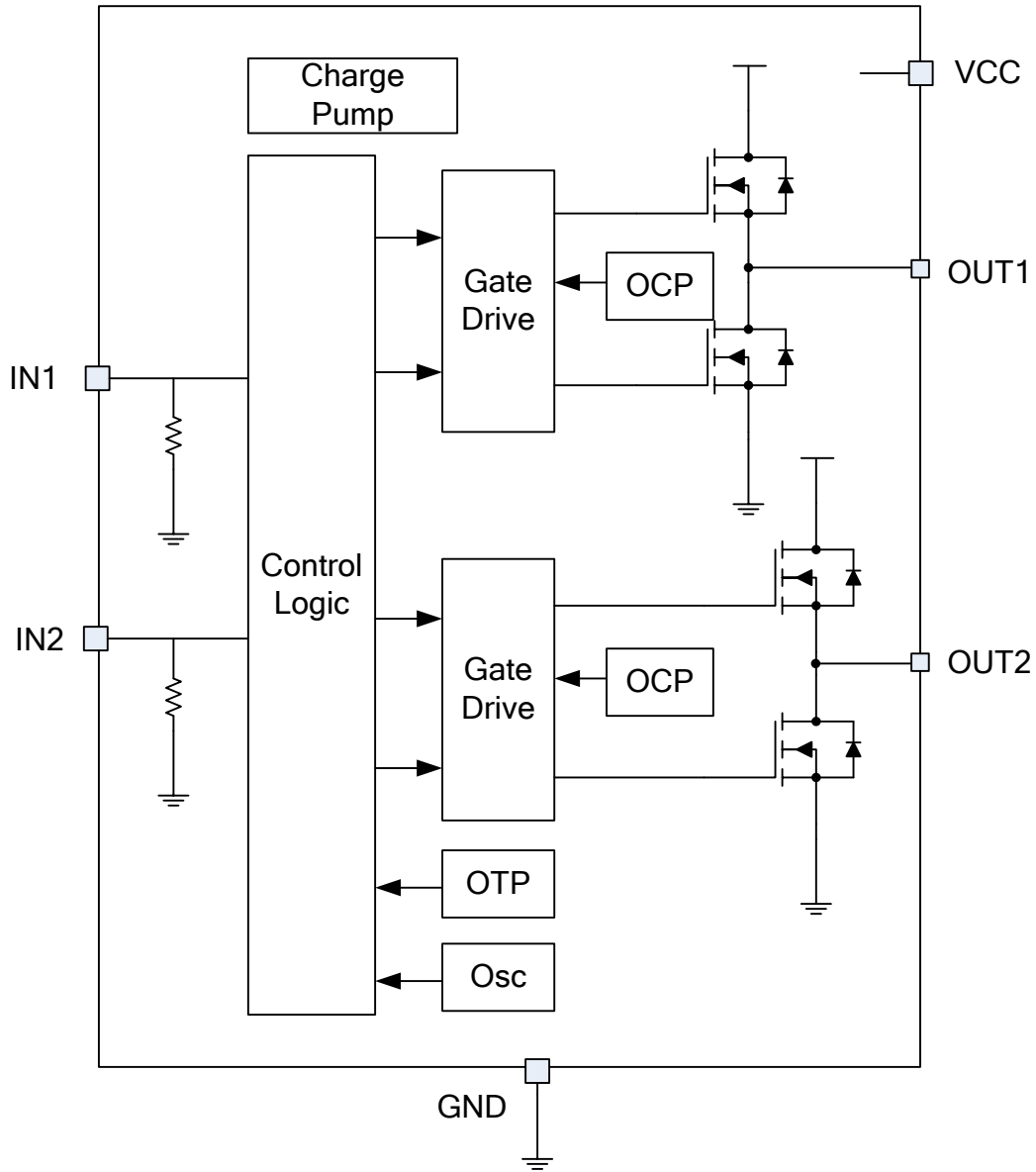


## PIN FUNCTIONS

| Pin # | Name | Description  |
|-------|------|--|
| 1     | IN1  | <b>Input 1.</b> Internal pull-down resistor.   |
| 2     | GND  | <b>Ground.</b>   |
| 3     | IN2  | <b>Input 2.</b> Internal pull-down resistor.   |
| 4     | OUT2 | <b>Switch output 2.</b> Connect OUT2 to the motor winding.   |
| 5     | VCC  | <b>Supply voltage.</b> An input capacitor is needed to prevent large voltage spikes from appearing at the input. |
| 6     | OUT1 | <b>Switch output 1.</b> Connect OUT1 to the motor winding.   |



**BLOCK DIAGRAM**



**Figure 2: Functional Block Diagram**

## OPERATION

The MP6513L is an H-bridge motor driver used for driving reversible motors, which can drive one DC motor, one winding of a stepper motor, or other loads. The H-bridge consists of four N-channel power MOSFETs. An internal charge pump generates the necessary gate-drive voltages.

### Input Logic

The MP6513L is controlled by two input pins. The two on/off inputs control the output mode: forward, reverse, coast, or brake. Table 1 shows the logic for the MP6513L.

**Table 1: Input Logic Truth Table**

| IN1 | IN2 | OUT1 | OUT2 | Function (DC Motor) |
|-----|-----|------|------|---------------------|
| L   | L   | Z    | Z    | Coast               |
| L   | H   | L    | H    | Reverse             |
| H   | L   | H    | L    | Forward             |
| H   | H   | L    | L    | Brake               |

### Sleep Mode

If the input pins (IN1 and IN2) both remain at a low level within a certain time, the part enters a low-power sleep mode. In this state, all unnecessary internal circuitries are powered down.

### Over Current Protection (OCP)

The MP6513L has internal overload and short-circuit protection. The currents in both the high-side and low-side MOSFETs are measured. If the current exceeds the current limit, all MOSFETs in the H-bridge are turned off. The bridge is re-enabled after approximately 1ms automatically.

### Thermal Shutdown (TSD)

Thermal monitoring is integrated into the MP6513L. If the die temperature rises above 160°C, all switches are turned off. Once the die temperature has fallen back to a safe level, operation resumes automatically.

### Under Voltage Lockout (UVLO)

If at any time the voltage on VCC falls below the under-voltage lockout (UVLO) threshold voltage, all circuitries in the device are disabled, and the internal logic is reset. Operation resumes when VCC rises above the UVLO threshold.

### Power Dissipation and Recommended Temperature

The recommended maximum junction temperature is 125°C under normal operating conditions. To ensure that the junction temperature is within this limit, calculate the maximum allowable dissipation ( $P_{D(MAX)}$ ) with Equation (1):

$$P_{D(MAX)} = (T_{JMAX} - T_A) / \theta_{JA} \quad (1)$$

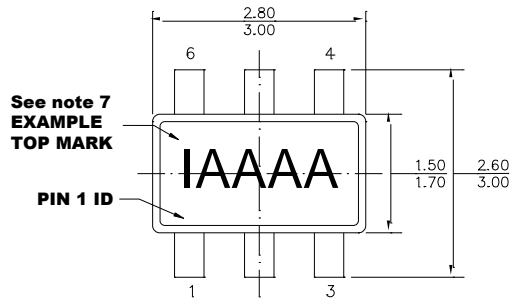
Where  $T_{JMAX}$  is the maximum recommended operation junction temperature (125°C),  $\theta_{JA}$  is the junction-to-ambient thermal resistance, and  $T_A$  is the ambient temperature (see Table 2).

**Table 2: Dissipation Ratings Table**

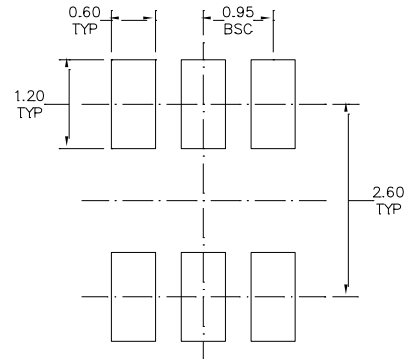
| Package  | $\theta_{JA}$<br>(°C/W) | Dissipation Power Rating |                          |                          |
|----------|-------------------------|--------------------------|--------------------------|--------------------------|
|          |                         | $T_A = 25^\circ\text{C}$ | $T_A = 50^\circ\text{C}$ | $T_A = 85^\circ\text{C}$ |
| TSOT23-6 | 110                     | 0.9W                     | 0.65W                    | 0.35W                    |

## PACKAGE INFORMATION

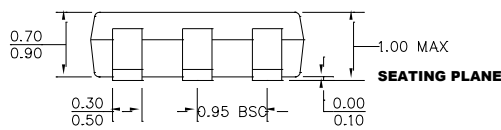
### TSOT23-6



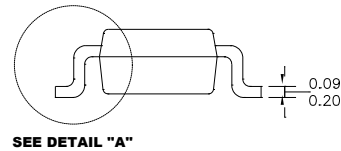
**TOP VIEW**



**RECOMMENDED LAND PATTERN**



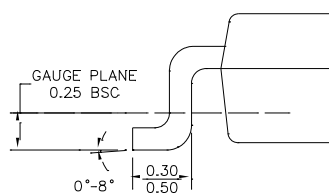
**FRONT VIEW**



**SIDE VIEW**

### NOTE:

- 1) ALL DIMENSIONS ARE IN MILLIMETERS.
- 2) PACKAGE LENGTH DOES NOT INCLUDE MOLD FLASH, PROTRUSION OR GATE BURR.
- 3) PACKAGE WIDTH DOES NOT INCLUDE INTERLEAD FLASH OR PROTRUSION.
- 4) LEAD COPLANARITY (BOTTOM OF LEADS AFTER FORMING) SHALL BE 0.10 MILLIMETERS MAX.
- 5) DRAWING CONFORMS TO JEDEC MO-193, VARIATION AB.
- 6) DRAWING IS NOT TO SCALE.
- 7) PIN 1 IS LOWER LEFT PIN WHEN READING TOP MARK FROM LEFT TO RIGHT (SEE EXAMPLE TOP MARK).



**DETAIL "A"**

**NOTICE:** The information in this document is subject to change without notice. Please contact MPS for current specifications. Users should warrant and guarantee that third party Intellectual Property rights are not infringed upon when integrating MPS products into any application. MPS will not assume any legal responsibility for any said applications.