



The Future of Analog IC Technology®

# MP3301

1.3MHz, 700mA, Fixed-Frequency Step-Up Driver for up to 10 White LEDs

## DESCRIPTION

The MP3301 is a step-up converter designed to drive WLEDs arrays from a single-cell, lithium-ion battery. The MP3301 uses a current-mode, fixed-frequency architecture to regulate the LED current, which is measured through an external current sense resistor. Its low 200mV feedback voltage reduces power loss and improves efficiency. The MP3301 turns off in the presence of an open-circuit over-voltage condition.

The MP3301 includes under-voltage lockout, current limiting, and thermal-overload protection to prevent damage in the event of an output overload.

The MP3301 is available in a small 5-pin TSOT23 package.

## FEATURES

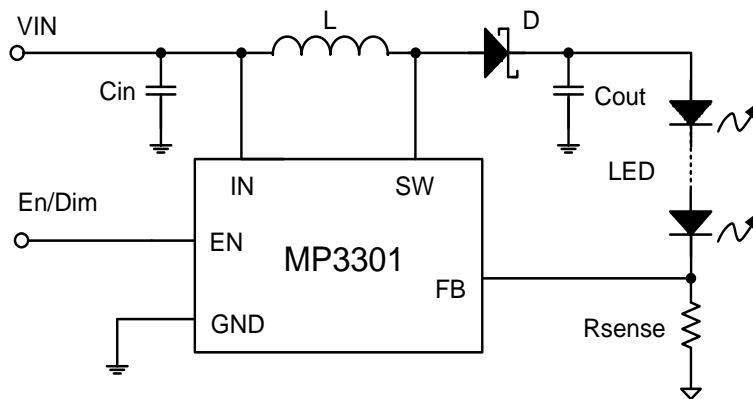
- Internal Power MOSFET
- Drives up to 10 White LEDs in Series
- Up to 89% Efficiency
- PWM and Analog Dimming
- 1.3MHz Fixed Switching Frequency
- Low 200mV Feedback Voltage
- Internal 700mA Current Limit
- Open-Load Shutdown
- UVLO, Thermal Shutdown
- Available in TSOT23-5 Packages

## APPLICATIONS

- Smart Phones
- Digital Still Cameras
- Small LCDs

All MPS parts are lead-free and adhere to the RoHS directive. For MPS green status, please visit MPS website under Quality Assurance. "Monolithic Power Systems", "MPS", and "The Future of Analog IC Technology" are Registered Trademarks of Monolithic Power Systems, Inc.

## TYPICAL APPLICATION

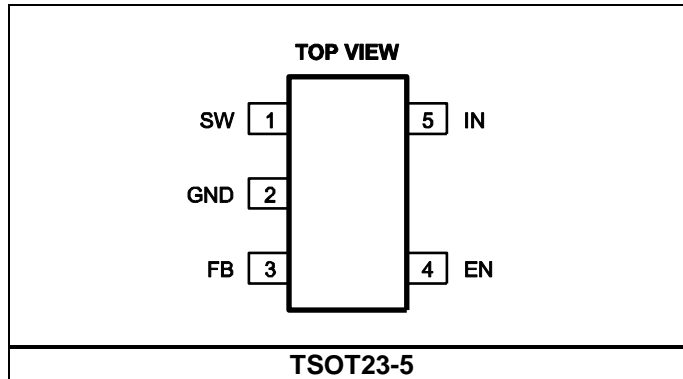


**ORDERING INFORMATION**

Part Number	Package
MP3301GJ*	TSOT23-5

\* For Tape & Reel, add suffix -Z (e.g. MP3301GJ-Z);

**PACKAGE REFERENCE**



**ABSOLUTE MAXIMUM RATINGS <sup>(1)</sup>**

SW Pin .....	-0.5V to +44V
All Other Pins.....	-0.3V to +6.5V
Continuous Power Dissipation .. (T <sub>A</sub> = +25°C) <sup>(2)</sup>	
TSOT23-5.....	0.57W
Storage Temperature.....	-55°C to +150°C

**Recommended Operating Conditions <sup>(3)</sup>**

IN Supply Voltage .....	2.5V to 6V
SW Pin .....	V <sub>IN</sub> to 36V
Operating Junction Temp. (T <sub>J</sub> ).....	-40°C to +125°C

<b>Thermal Resistance <sup>(4)</sup></b>	<b>θ<sub>JA</sub></b>	<b>θ<sub>JC</sub></b>
TSOT23-5 .....	220	110

°C/W

**Notes:**

- 1) Exceeding these ratings may damage the device.
- 2) The maximum allowable power dissipation is a function of the maximum junction temperature T<sub>J</sub> (MAX), the junction-to-ambient thermal resistance θ<sub>JA</sub>, and the ambient temperature T<sub>A</sub>. The maximum allowable continuous power dissipation at any ambient temperature is calculated by P<sub>D</sub> (MAX) = (T<sub>J</sub> (MAX)-T<sub>A</sub>)/θ<sub>JA</sub>. Exceeding the maximum allowable power dissipation will cause excessive die temperature, and the regulator will go into thermal shutdown. Internal thermal shutdown circuitry protects the device from permanent damage.
- 3) The device is not guaranteed to function outside of its operating conditions.
- 4) Measured on approximately 1" square of 1 oz copper.

## ELECTRICAL CHARACTERISTICS

$V_{IN} = V_{EN} = 5V$ ,  $T_A = +25^{\circ}C$ , unless otherwise noted.

Parameters	Symbol	Condition	Min	Typ	Max	Units
Operating Input Voltage	$V_{IN}$		2.5		6	V
Supply Current (Shutdown)		$V_{EN} = 0V$			10	$\mu A$
Supply Current (Quiescent)		$V_{FB} = 0.15V$			900	$\mu A$
Switching Frequency	$f_{SW}$		1.0	1.3	1.5	MHz
Maximum Duty Cycle		$V_{FB} = 0V$	92			%
<b>Under Voltage Lockout</b>						
IN Under-Voltage Lockout	UVLO	$V_{IN}$ Rising		2.25	2.45	V
Under-Voltage Lockout Hysteresis				92		mV
Open-Lamp Shutdown Threshold	$V_{OV}$	$V_{OV}$ Rising	40	42	44	V
<b>Enable</b>						
EN OFF Threshold		$V_{EN}$ Falling	0.4			V
EN ON Threshold		$V_{EN}$ Rising			0.6	V
Minimum EN Dimming Threshold		$V_{FB} = 0V$	0.655	0.7	0.845	V
Maximum EN Dimming Threshold		$V_{FB} = 0.2V$	1.275	1.4	1.425	V
<b>Feedback</b>						
FB Voltage		$V_{EN} = 1.5V$		200		mV
FB Input Bias Current		$V_{FB} = 0.1V$	-600			nA
<b>Output Switch</b>						
SW On-Resistance <sup>(5)</sup>	$R_{ON}$			0.5		$\Omega$
SW Current Limit <sup>(5)</sup>		Duty Cycle = 60%		1.0		A
Thermal Shutdown <sup>(5)</sup>				150		$^{\circ}C$

**Notes:**

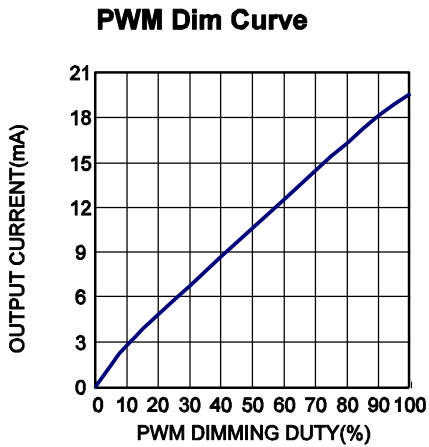
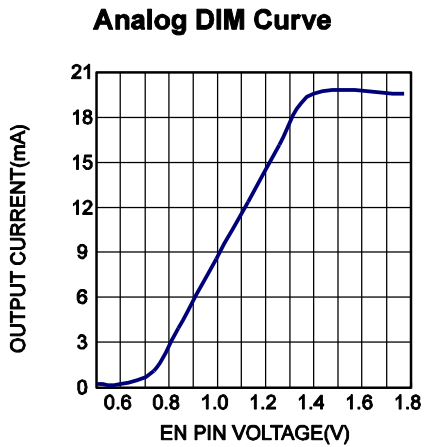
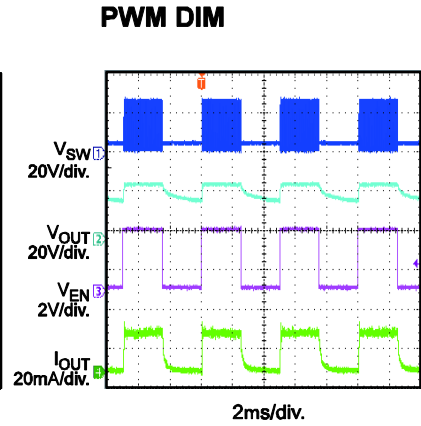
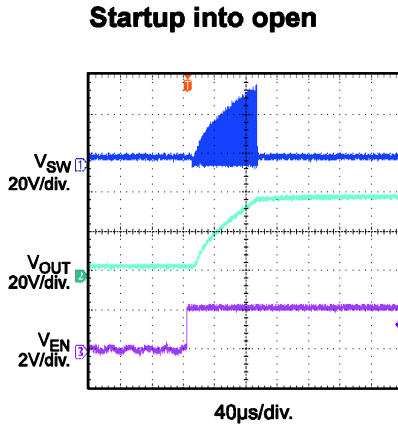
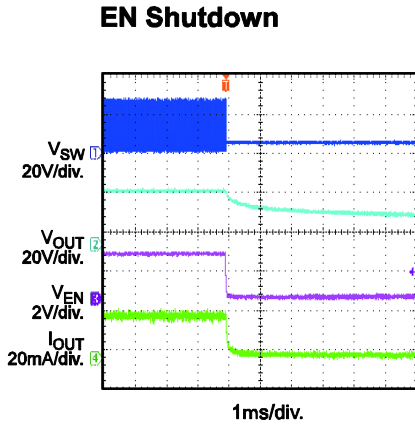
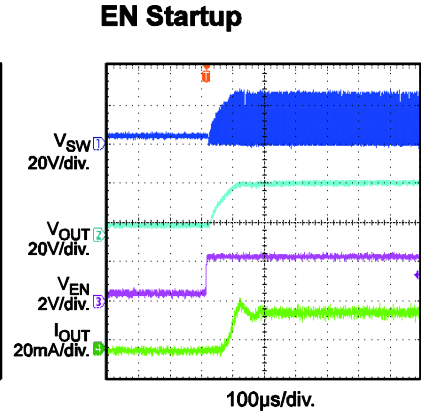
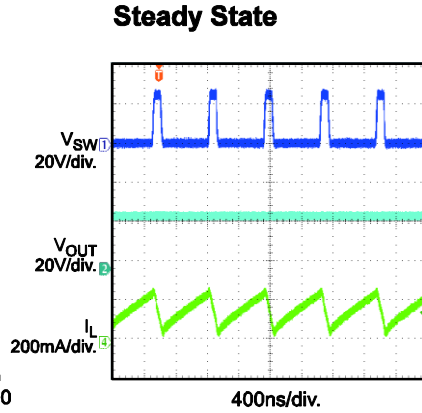
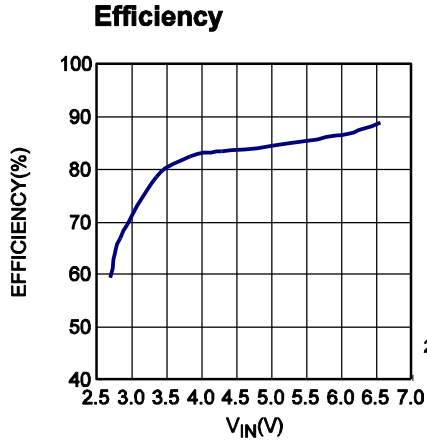
5) Guaranteed by design.

## PIN FUNCTIONS

Pin #	Name	Pin Function
1	SW	Power Switch Output. SW is the drain of the internal MOSFET switch. Connect the power inductor and output rectifier to SW. SW can swing between GND and 36V.
2	GND	Ground. Connect exposed pad to GND plane for improved thermal performance.
3	FB	Feedback Input. Used to regulate the voltage across the current-sense resistor between FB and GND. Connect a current-sense resistor from the bottom of the LED string to GND. Connect the bottom of the LED string to FB. The regulation voltage is 200mV.
4	EN	ON/OFF Control and Dimming Command Input. A > 0.6V turns the part on, and < 0.4V turns the part off. If the EN pin voltage is between 0.7V and 1.4V, $V_{FB}$ is regulated between 0V and 200mV. To use PWM dimming, apply a 200Hz-to-1kHz square wave signal with an amplitude >1.5V.
5	IN	Input Supply Pin. Requires local bypassing.

### TYPICAL PERFORMANCE CHARACTERISTICS

$V_{IN} = 3.8V$ ,  $V_{EN}=3.3V$ , 8 WLEDs in series, 20mA, unless otherwise noted.



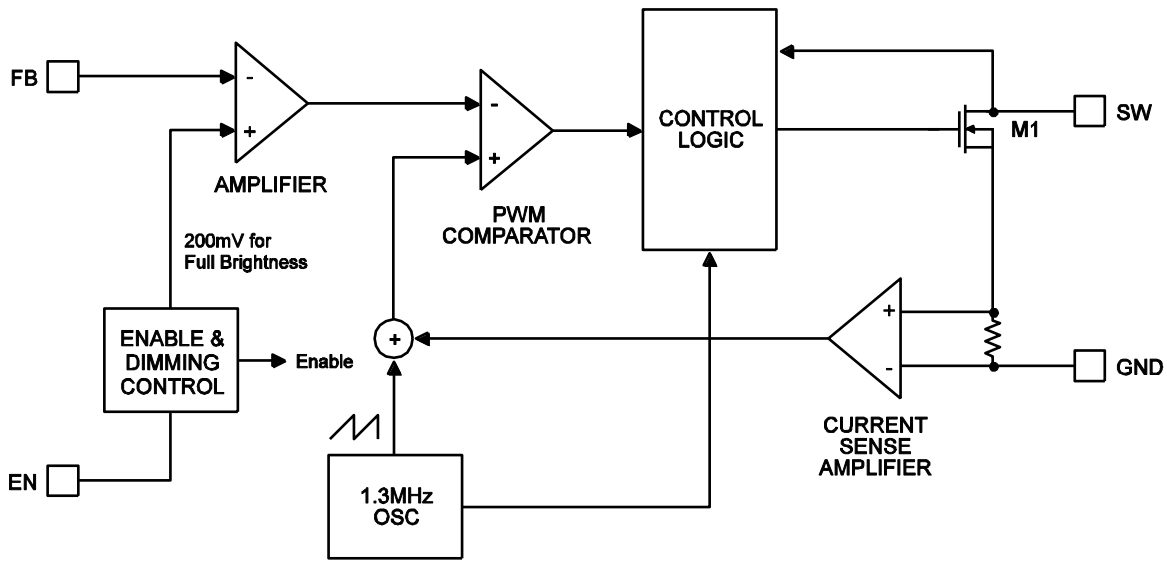
**OPERATION**

The MP3301 uses a constant-frequency, peak-current-mode, boost-regulator architecture to regulate up to 10 white LEDs in series. Figure 1 shows how the MP3301 operates.

The MP3301 regulates the SW voltage through the feedback voltage and the 1.3MHz oscillator. At the start of each oscillator cycle, the control circuitry turns the FET on. A stabilizing ramp added to the output of the current sense amplifier prevents sub-harmonic oscillations at duty cycles >50%: The ramp output goes to the

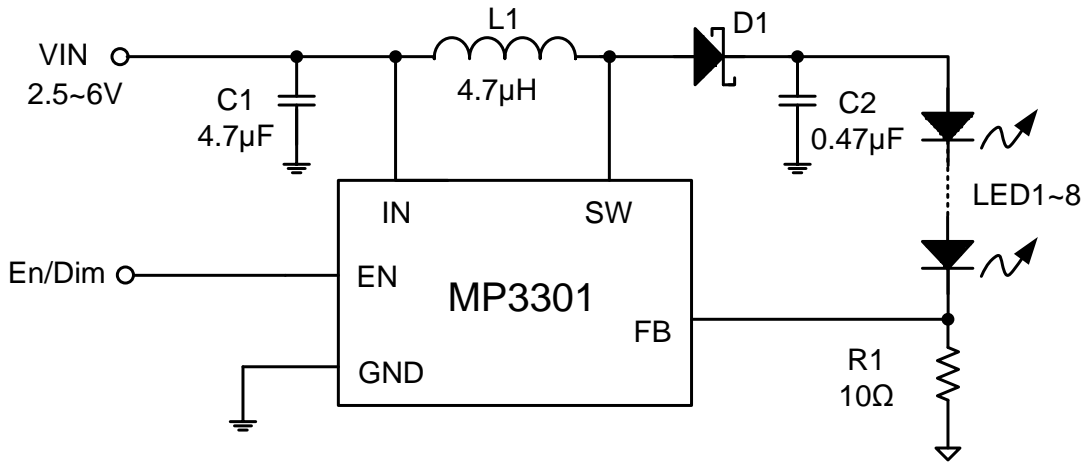
positive input of the PWM comparator: When this voltage equals the error amplifier output (the amplified difference between the 200mV reference voltage and the feedback voltage), the power FET turns off.

When the feedback voltage starts to drop, the output of the error amplifier increases, thus increasing the current flowing through the power FET. The increased FET power results in increased power delivered to the output.



**Figure 1: Functional Block Diagram**

**APPLICATION INFORMATION**



**Figure 2: Circuit to Drive 8 WLEDs in Series**

Figure 2 shows a typical application circuit. The 8 white LEDs can be driven from a 2.7V-to-6V supply range at an output current of 20mA. A 0.47µF output capacitor is sufficient for most applications. A 4.7µH inductor with low direct-current resistance (DCR) improves efficiency, while a 4.7µF ceramic capacitor improves input stability. Use Schottky diodes with fast recovery times and low forward voltages, preferably rated at 500mA. The MP3301 has an internal soft-start to limit the current through VIN at startup and to also limit the output overshoot.

The ramped voltage at the current sense amplifier reduces the current output as the duty cycle increases. Adding more LEDs increases the output voltage but reduces the current delivered to the load.

**Setting the LED Current**

The feedback resistor, R1, controls the LED current. The equation  $\frac{200mV}{R1}$  estimates the current through the LEDs. Table 1 shows the resistor selection for a given LED current.

**Table 1: I<sub>LED</sub> vs. R1**

I <sub>LED</sub> (mA)	R1 (Ω)
1	200
5	40
10	20
20	10
60	3.33

**LED Current Programming**

Applying a DC voltage between 0.7V and 1.4V to EN pin programs a feedback voltage between 0V and 200mV for analog dimming of LED current. Locally bypass the DC dimming voltage to limit noise on the feedback reference.

**PWM Dimming**

Apply a 200Hz-to-1kHz square waveform to the EN pin to implement PWM dimming. Use a PWM amplitude of at least 1.5V.

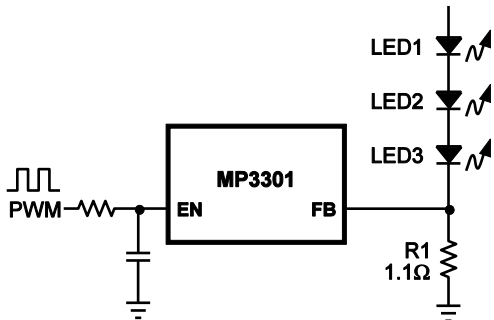
For high-frequency PWM dimming (>1kHz), implement the dimming control shown in Figure 3. Select the RC filter’s cut-off frequency

$$\leq \frac{f_{PWM}}{10}$$

. For example, for a PWM frequency of 20kHz, use a 20kΩ resistor and 100nF capacitor. Then

$$V_{EN} = V_{PWM\_high} \times D_{PWM}$$

Where  $V_{EN}$  is the EN pin’s DC voltage  $V_{PWM\_high}$  is the PWM high level voltage, and  $D_{PWM}$  is the PWM duty cycle. A DC voltage from 0.7V to 1.4V programs the output current from 0% to 100%.



**Figure 3: Control Circuit for High-Frequency PWM Dimming**

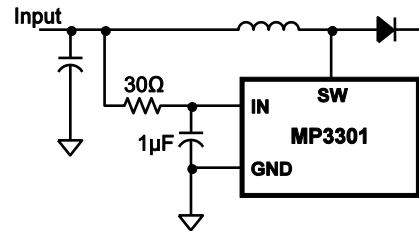
**Open-Load Protection**

Open-load protection shuts off the MP3301 if the output voltage goes too high. In cases where an LED may fail, this results in a zero feedback voltage. The part runs at the maximum duty cycle to continue increasing the output voltage. If the output exceeds 42V, the MP3301 will shut down. The part will not switch on again until the device undergoes a power cycle.

**Layout Considerations**

PCB layout requires care to prevent noise and electromagnetic interference from the high-frequency switching paths. Make the current loop from the IC, output diode, and the output capacitor as short as possible.

Locally bypass the IN pin, and use an RC filter when possible to eliminate noise on the IN pin. See Figure 4 for an implementation example.



**Figure 4: Input Bias Filtering**



**TYPICAL APPLICATION CIRCUITS**

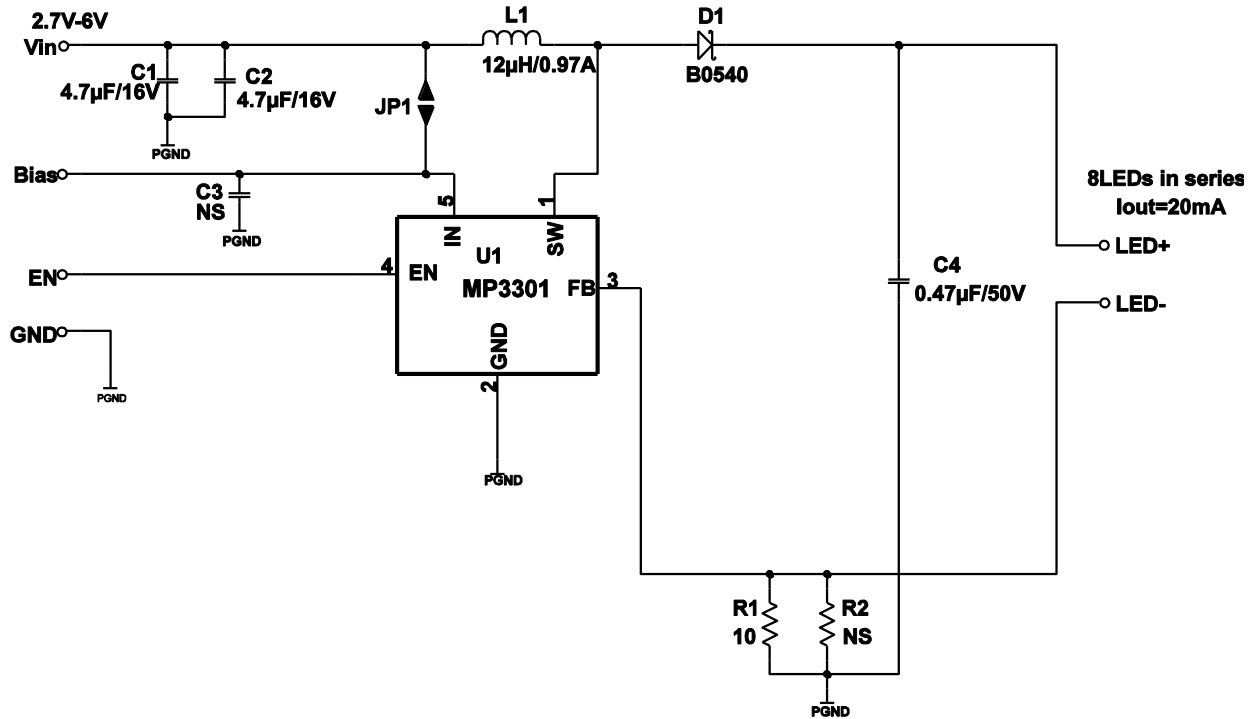


Figure 5: Circuit to Drive 8 WLEDs in Series with a 2.7V-to-6V Input Voltage

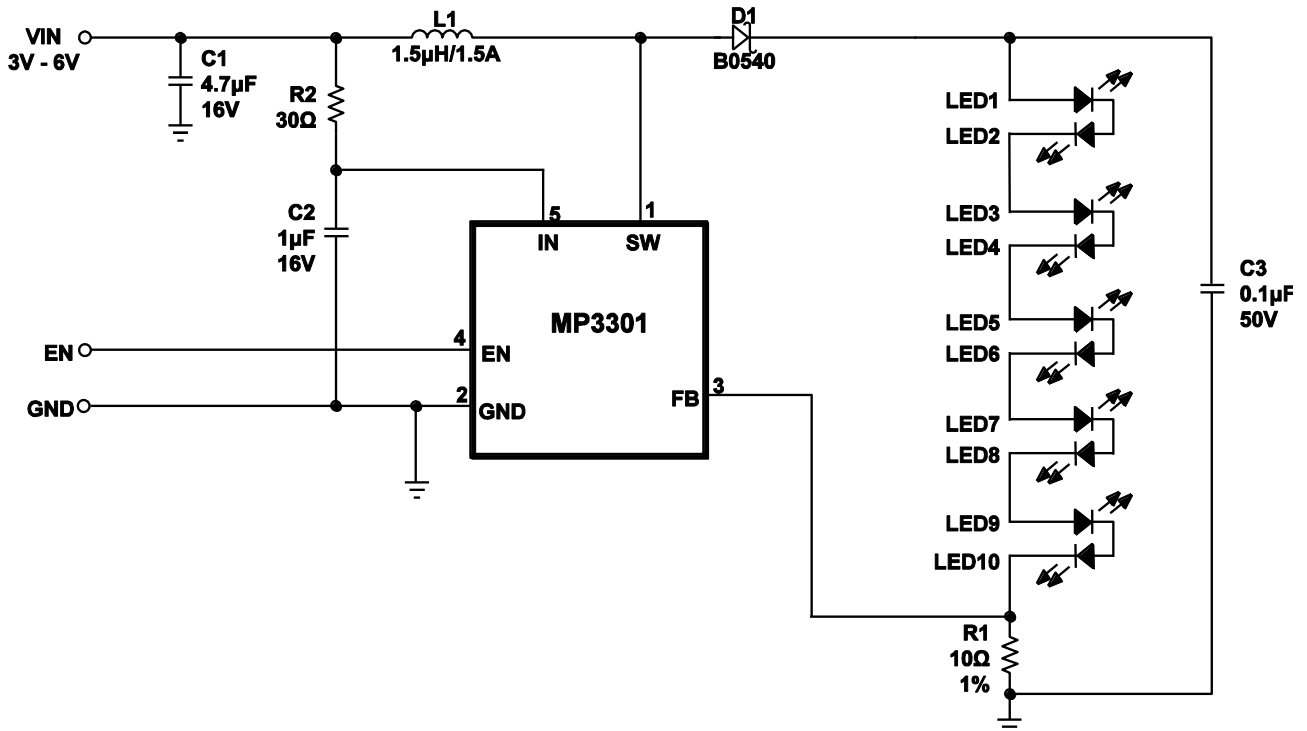
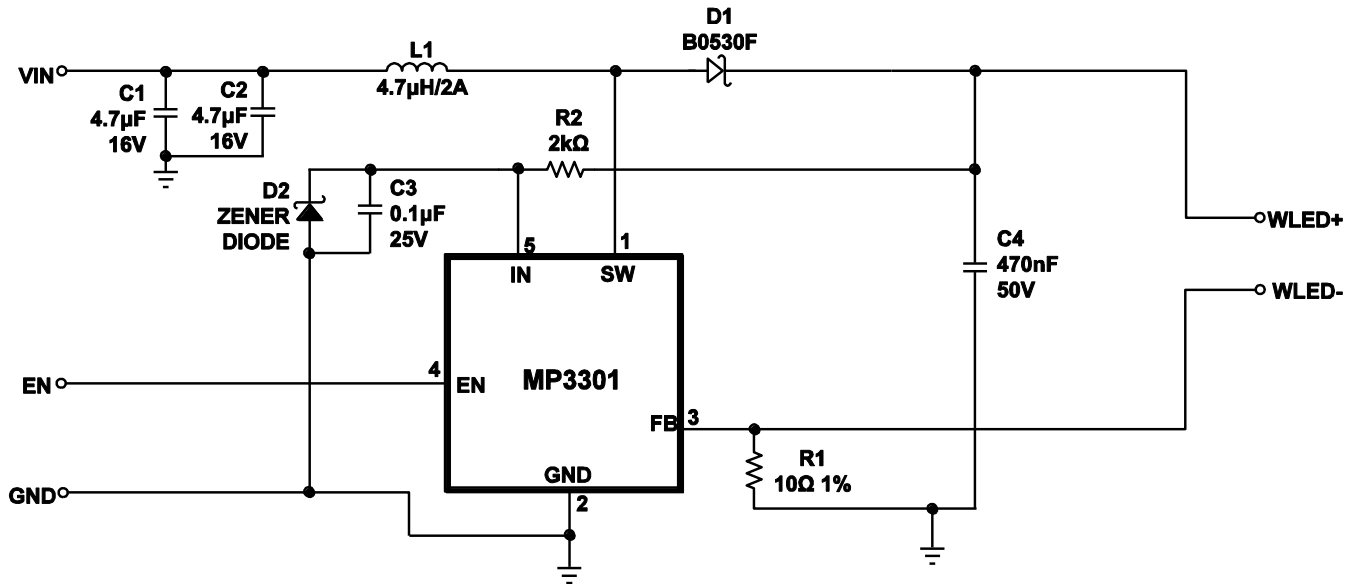


Figure 6: Circuit to Drive 10 WLEDs in Series with a 3V-to-6V Input Voltage

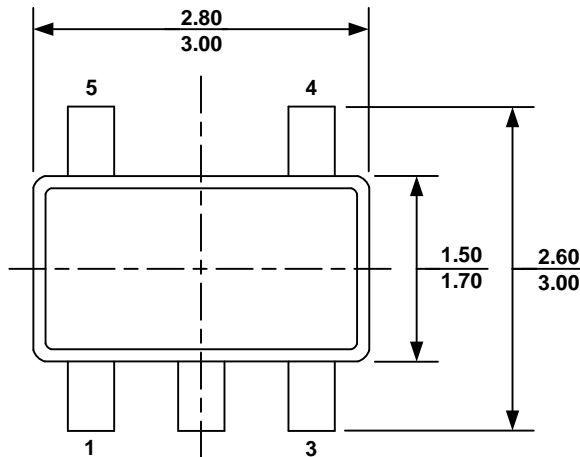


**Figure 7: Circuit to Drive 10 WLEDs in Series with <3V Input Voltage**

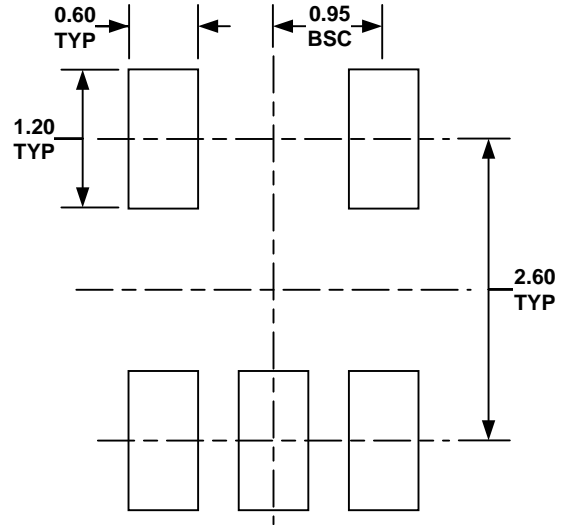
Use the additional bias circuit to improve the MOSFET ON-resistance at low input voltage.

**PACKAGE INFORMATION**

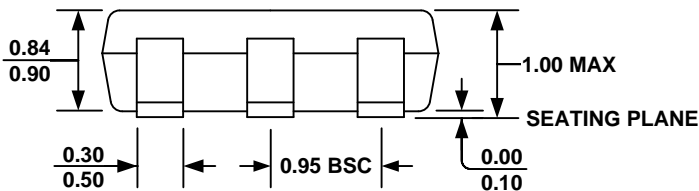
**TSOT23-5**



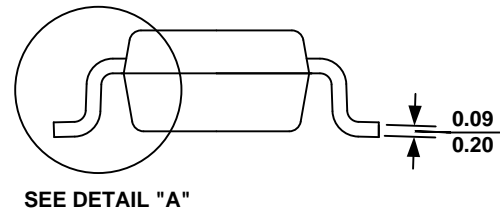
**TOP VIEW**



**RECOMMENDED LAND PATTERN**

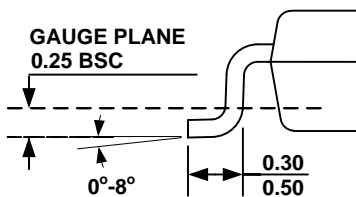


**FRONT VIEW**



SEE DETAIL "A"

**SIDE VIEW**



**DETAIL "A"**

**NOTE:**

- 1) ALL DIMENSIONS ARE IN MILLIMETERS.
- 2) PACKAGE LENGTH DOES NOT INCLUDE MOLD FLASH, PROTRUSION OR GATE BURR.
- 3) PACKAGE WIDTH DOES NOT INCLUDE INTERLEAD FLASH OR PROTRUSION.
- 4) LEAD COPLANARITY (BOTTOM OF LEADS AFTER FORMING) SHALL BE 0.10 MILLIMETERS MAX.
- 5) DRAWING CONFORMS TO JEDEC MO-193, VARIATION AA.
- 6) DRAWING IS NOT TO SCALE.

**NOTICE:** The information in this document is subject to change without notice. Users should warrant and guarantee that third party Intellectual Property rights are not infringed upon when integrating MPS products into any application. MPS will not assume any legal responsibility for any said applications.