



# EV6539B-F-00A

## 8V to 100V, Three-Phase Brushless DC Motor Pre-Driver Evaluation Board

### DESCRIPTION

The EV6539B-F-00A is an evaluation board for the MP6539BGF, a three-phase BLDC motor pre-driver.

It operates from a supply voltage of up to 100V. It is configured to drive 3 half bridges consisting of 6 N-channel Power MOSFETs. The rotor position information is provided by the Hall sensors assembled in the motor and the driving control signals are generated by the external controller, such as MCU, FPGA, etc.

### ELECTRICAL SPECIFICATIONS

Parameter	Symbol	Value	Units
Input Voltage	VIN	8 - 100	V
VDD Voltage	VDD	8.5 - 14	V
Logic Power Supply	VCC	3.3 or 5	V

### FEATURES

- Wide 8V to 100V Input Voltage Range
- Support 100% Duty Cycle Operation
- HS/LS Logic Input
- OTP
- Fault Indication Output

### APPLICATIONS

- 3-Phase Brushless DC Motors and Permanent Magnet Synchronous Motors
- Power Drills
- Impact Drivers
- E-Bike

All MPS parts are lead-free, halogen-free, and adhere to the RoHS directive. For MPS green status, please visit the MPS website under quality assurance. "MPS" and "The Future of Analog IC Technology" are registered trademarks of Monolithic Power Systems, Inc.

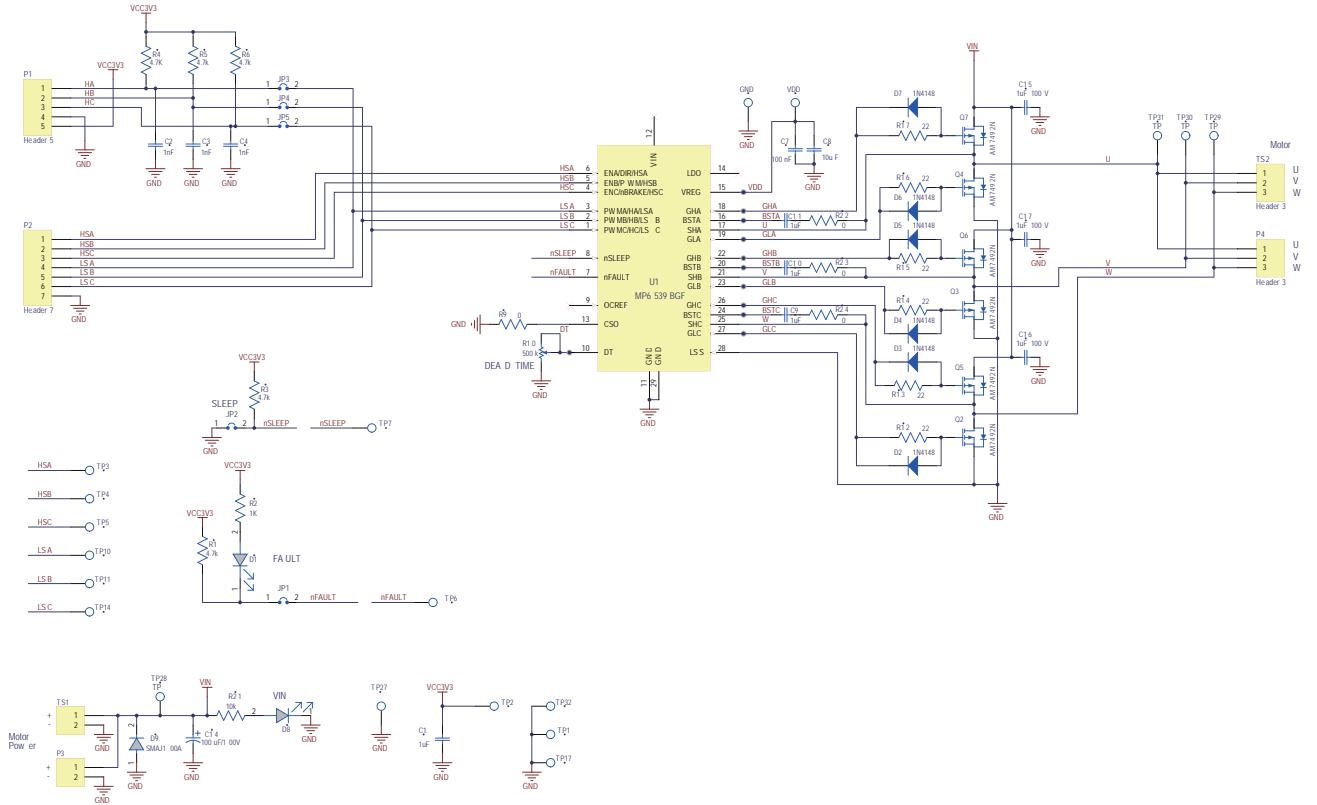
## EV6539B-F-00A EVALUATION BOARD



**(L x W x H) 4.68" x 3.12" x 0.4"**  
**(11.7cm x 7.8cm x 1cm)**

Board Number	MPS IC Number
EV6539B-F-00A	MP6539BGF

## EVALUATION BOARD SCHEMATIC



## EV6539B-F-00A BILL OF MATERIALS

Qty	RefDes	Value	Description	Package	Manufacturer	Manufacturer P/N
1	C1	1 $\mu$ F	Ceramic Cap. 6.3V, X5R	0603	Murata	GRM188R60J105KA01D
3	C2, C3, C4	1nF	Ceramic Cap. 16V, X7R	0603	Wurth	885012206034
1	C7	100nF	Ceramic Cap. 25V, X7R	0603	Wurth	885012206071
1	C8	10 $\mu$ F	Ceramic Cap. 25V, X7R	1206	Murata	GRM31CR71E106KA12
3	C9, C10, C11	1 $\mu$ F	Ceramic Cap. 25V, X7R	0603	Murata	GRM188R71E105KA12D
1	C14	100 $\mu$ F	Electrolytic Cap. 100V	DIP	Jianghai	CD263-100V100
3	C15, C16, C17	1 $\mu$ F	Ceramic Cap. 100V, X7R	1206	Murata	GRM31CR72A105KA01L
5	R1, R3, R4, R5, R6	4.7k	Film Resistor ,1%	0603	Yageo	RC0603FR-074K7L
1	R2	1k	Film Resistor ,1%	0603	Yageo	RC0603FR-071KL
4	R9, R22, R23, R24	0	Film Resistor ,1%	0603	Yageo	RC0603FR-070RL
1	R10	500k	Adjustable Resistor	DIP		3266W-1-504LF
6	R12, R13, R14, R15, R16, R17	220 $\Omega$	Film Resistor ,1%	0603	Yageo	RC0603FR-0722RL
1	R21	10k	Film Resistor ,1%	0603	Yageo	RC0603FR-0710KL
2	D1, D8		LED. 绿光	0805	佰鸿	BL-HGE35A-AV-TRB
6	D2, D3, D4, D5, D6, D7		Schottky Diode. 75V, 0.15A	SOD-123	Diodes	1N4148W
1	D9		TVS. 100V, 2.5A	SMA	Diodes	SMAJ100A
6	Q2, Q3, Q4, Q5, Q6, Q7		N-channel MOSFET, 150V,6.2A, Qg=23nC, Ron=96m $\Omega$	SOIC-8PP	Analog Power	AM7492N
1	P1		5PIN. 2.54MM			
1	P2		7PIN. 2.54MM			
1	P3		2PIN. 2.54MM			
1	P4		3PIN. 2.54MM			

**EV6539B-F-00A BILL OF MATERIALS**

Qty	RefDes	Value	Description	Package	Manufacturer	Manufacturer P/N
1	TS1		Header, 2-Pin			
1	TS2		Header, 3-Pin		Wurth	691216510003
5	JP1, JP2, JP3, JP4, JP5		2PIN. 2.54MM			
1	JP1		Short Jumper			
18	HSA, HSB, HSC, LSA, LSB, LSC, VCC,VDD, VIN, FLT, SLP, U, V, W, GND, GND, GND, GND		1.0 公针			
11	DT, VDD, BSTA, BSTB, BSTC, GLA, GLB, GLC, GHA, GHB, GHC		Test Points			
1	U1		3-Phase BLDC Motor Pre-Driver	TSSOP-28 EP (9.7mmx6.4mm)	MPS	MP6539BGF

## PRINTED CIRCUIT BOARD LAYOUT

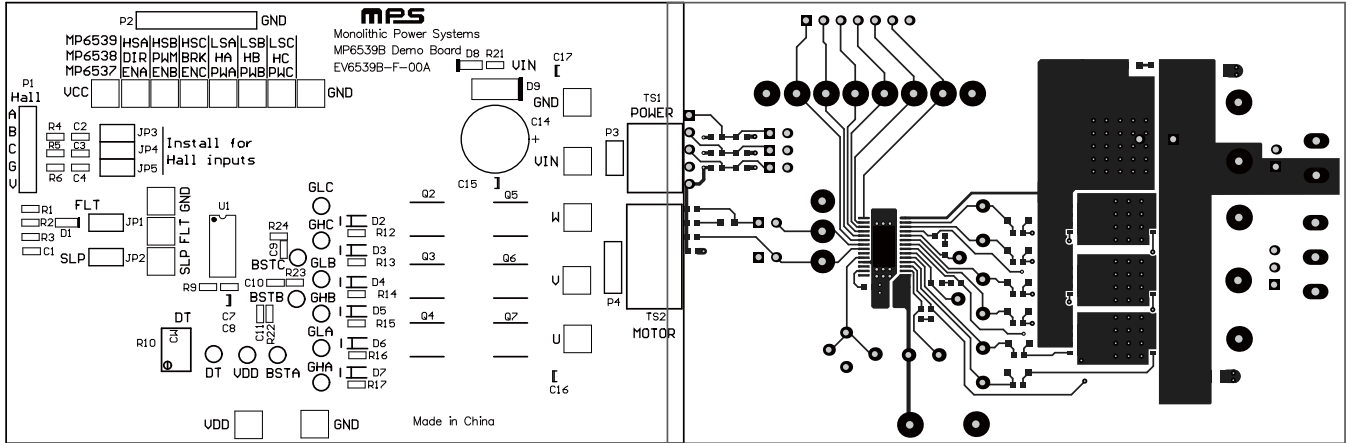


Figure 1: Top Silk Layer

Figure 2: Top Layer

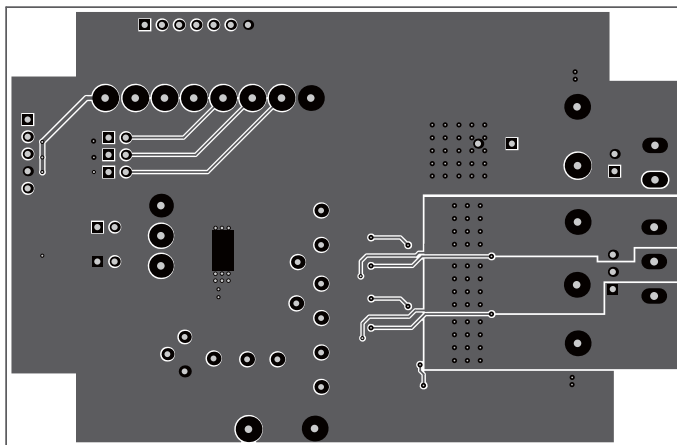


Figure 3: Bottom Layer

## QUICK START GUIDE

1. Attach the input voltage ( $8V \leq V_{IN} \leq 100V$ ) and input ground to the VIN and GND connectors respectively.
2. Attach the VDD voltage ( $8.5V \leq V_{DD} \leq 14V$ ) and VDD ground to the VDD and GND connectors respectively.
3. Attach a 3.3V or 5V constant voltage to the VCC terminal of the P1 connector.
4. Attach the driving control signals generated by the external controller to the P2 connector.

**NOTICE:** The information in this document is subject to change without notice. Users should warrant and guarantee that third party Intellectual Property rights are not infringed upon when integrating MPS products into any application. MPS will not assume any legal responsibility for any said applications.