

DESCRIPTION

The EV4034-S-00D Evaluation Board is designed to demonstrate the capabilities of MP4034. The MP4034 can be used for non-isolated LED lighting controller.

The EV4034-S-00D typically drives a 3.5W LED string with a 10V_{TYP}, 350mA LED load from 85VAC to 265VAC, at 50Hz.

The EV4034-S-00D has excellent efficiency and meets IEC61547 surge immunity and EN55015 conducted EMI requirements. It has multiple protections, including lamp open protection, short-circuit protection, a cycle-by-cycle current limit, and over-temperature protection.

ELECTRICAL SPECIFICATION

Parameter	Symbol	Value	Units
Input Voltage	V _{IN}	85 to 265	VAC
Output Voltage	V _{OUT}	10	V
LED Current	I _{LED}	350	mA
Output Power	P _{OUT}	3.5	W
Average Efficiency (full load)	η	>80	%

FEATURES

- No External Compensation Components
- Precise Constant Current (CC)
- Integrated 700V MOSFET with Minimal External Components
- Variable Off-Time Peak-Current Control
- 600μA High-Voltage Current Source
- Up to 3.5W Output Power
- Over-Voltage Protection (OVP)
- Over-Temperature Protection (OTP)
- Lamp Open Protection
- Natural Frequency Dithering for Improved EMI Signature
- Low Cost and Simple External circuit
- Fits GU10 LED

APPLICATIONS

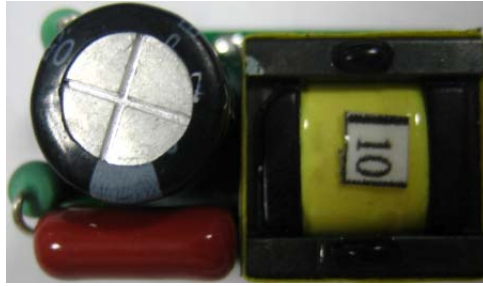
- Solid State Lighting
- Industrial & Commercial Lighting
- Residential Lighting

All MPS parts are lead-free and adhere to the RoHS directive. For MPS green status, please visit MPS website under Quality Assurance. "MPS" and "The Future of Analog IC Technology", are Registered Trademarks of Monolithic Power Systems, Inc.

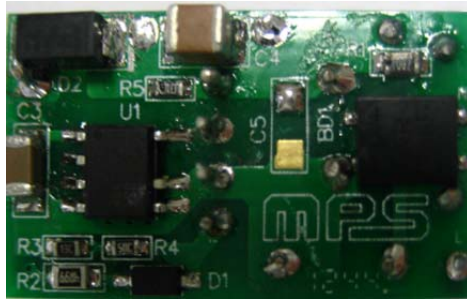


Warning: Although this board is designed to satisfy safety requirements, the engineering prototype has not been agency approved. Therefore, all testing should be performed using an isolation transformer to provide the AC input to the prototype board.

EV4034-S-00D EVALUATION BOARD



TOP VIEW



BOTTOM VIEW

(L x W x H) 27mm x 16mm x 16mm

Board Number	MPS IC Number
EV4034-S-00D	MP4034GS

EVALUATION BOARD SCHEMATIC

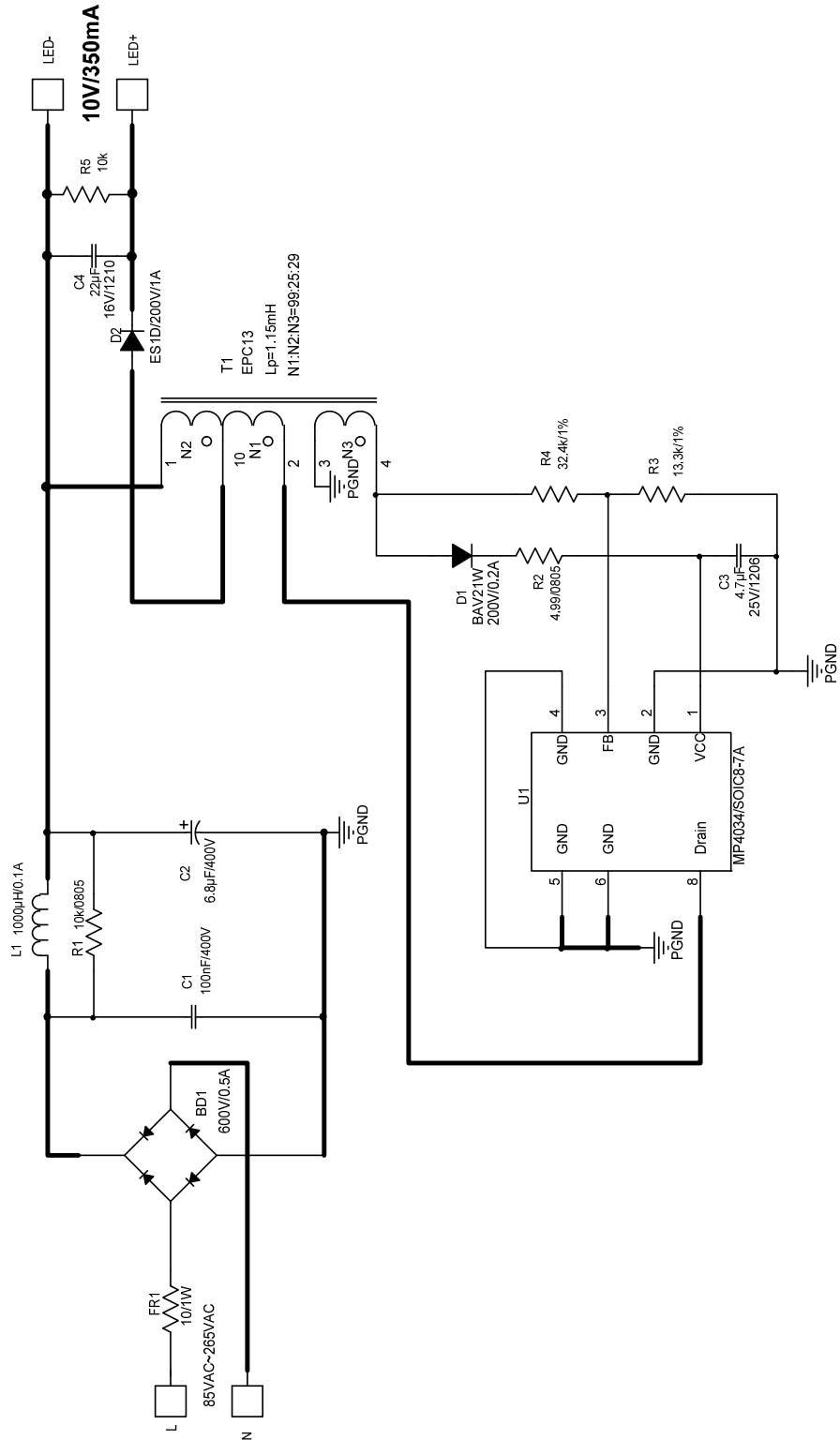


Figure 1—Schematic

PCB LAYOUT (SINGLE-SIDED)

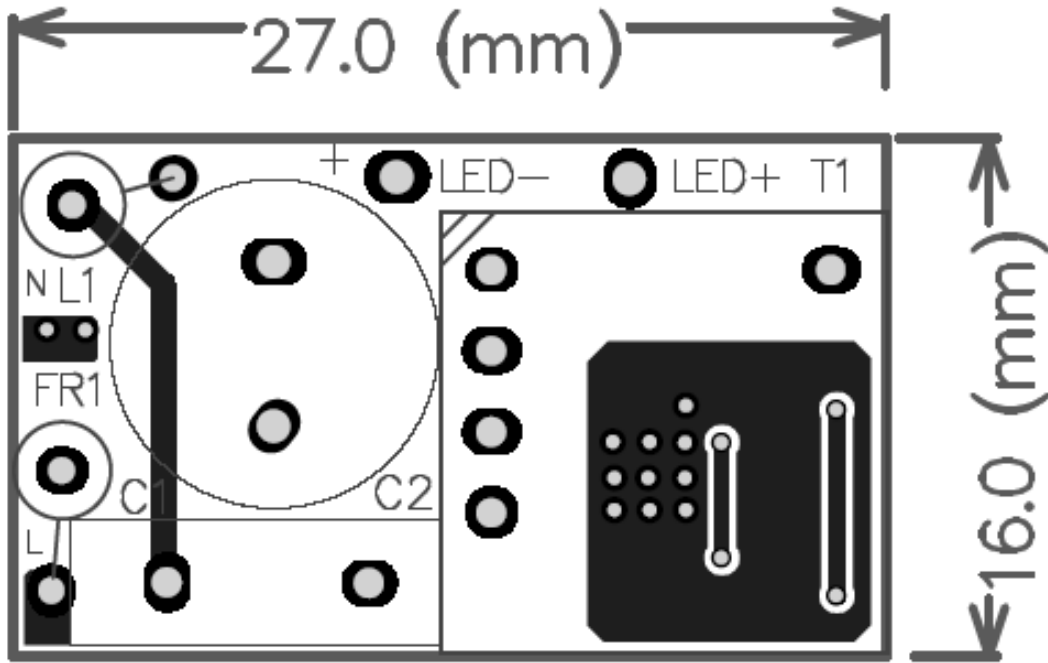


Figure 2—Top Layer

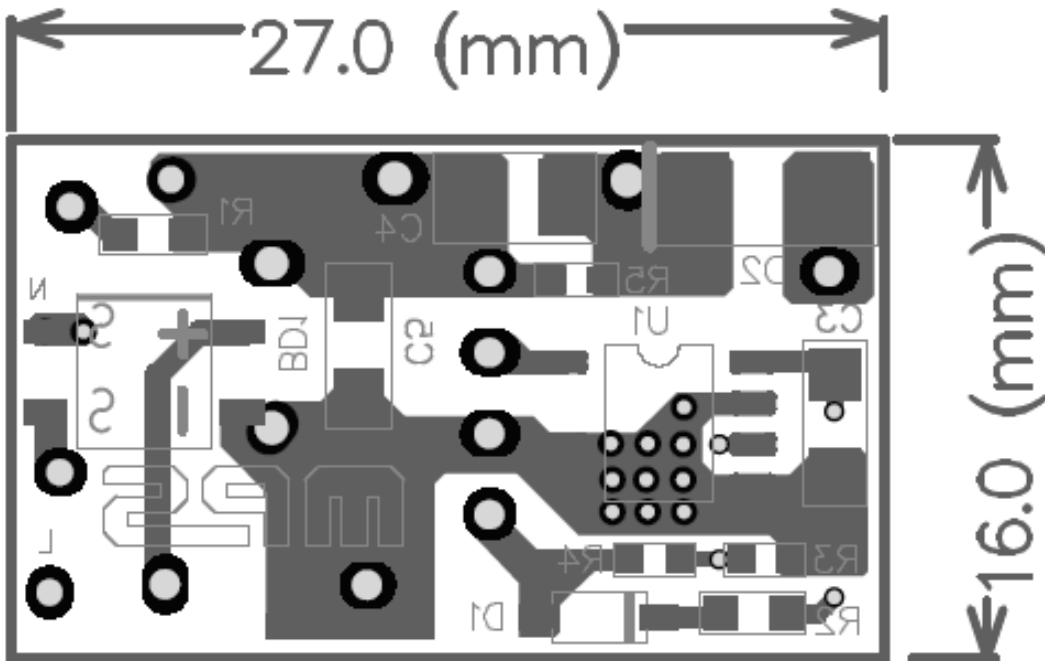


Figure 3—Bottom Layer

CIRCUIT DESCRIPTION

The EV4034-S-00D is configured for non-isolation control topology, It can simplify the schematic and reduce BOM costs. It can also achieve an accurate LED current.

The input stage consists of FR1 and BD1. FR1 is protects against component failure or some excessive short events, and can restrain the inrush current.

The π filter (C1, L1 and C2) guarantees that the conducted EMI meets the EN55015 standard.

R2, C3 and D1 provide the VCC power supply.

The resistor divider (R3 and R4) provides lamp open protection by sampling the voltage on the auxiliary winding. When an open circuit occurs, the output voltage remains constant.

T1 is the power transformer, the structure of which is also very important to pass EMI test.

D2, C4 and R5 compose output circuit. D2 is a schottky diode for better efficiency. C4 is a ceramic capacitor for lower output voltage ripple and R5 is the dummy load for lamp open protection..

EV4034-S-00D BILL OF MATERIALS

Qty	RefDes	Value	Description	Package	Manufacturer	Manufacturer_PN
1	BD1	MB6F	Diode;600V;0.5A	SOP-4	Bangdayuan	MB6F
1	C1	100nF	Capacitor;400V;CBB	DIP	Panasonic	ECQE4104KF
1	C2	6.8 μ F	Electrolytic Capacitor; 400V	DIP	LTEC	TY 6.8 μ F/400V
1	C3	4.7 μ F	Ceramic Capacitor; 25V;X7R	1206	TDK	C3216X7R1E475K
1	C4	22 μ F	Ceramic Capacitor; 16V;X7R	1210	muRata	GRM32ER71C226KEA8L
1	D1	BAV21W	Diode;200V;0.2A	SOD-123	Diodes	BAV21W-7-F
1	D2	ES1D	Diode;200V;1A	SMA	Taiwan Semiconductor	ES1D
1	FR1	10	Resistor;5%;1W	DIP	Yageo	FKN1WSJT-52-10R
1	L1	1000 μ H	Inductor; 17.4 Ω ;0.1A	DIP	Bangdayuan	CKL0410-102
1	R1	10k Ω	Film Resistor; 1%;1/8W	0805	Yageo	RC0805FR-0710KL
1	R2	4.99 Ω	Film Resistor; 5%;1/8W	0805	Yageo	RC0805FR-074R99L
1	R3	13.3k Ω	Film Resistor;1%	0603	Yageo	RC0603FR-0713K3L
1	R4	32.4k Ω	Film Resistor;1%	0603	Yageo	RC0603FR-0732K4L
1	R5	10k Ω	Film Resistor;5%	0603	Yageo	RC0603JR-0710K
1	T1	1.15mH	EPC13; N1:N2:N3=99:25:29	DIP	Emei	FX0279
1	U1	MP4034	Primary-Side Regulator	SOIC8-7A	MPS	MP4034GS

TRANSFORMER SPECIFICATION

Electrical Diagram

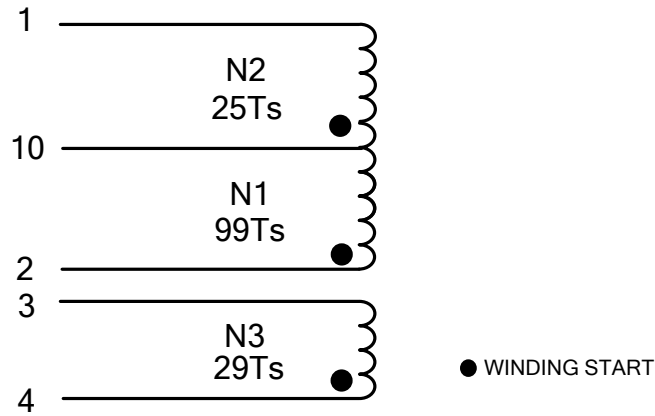


Figure 4—Transformer Electrical Diagram

Winding Diagram

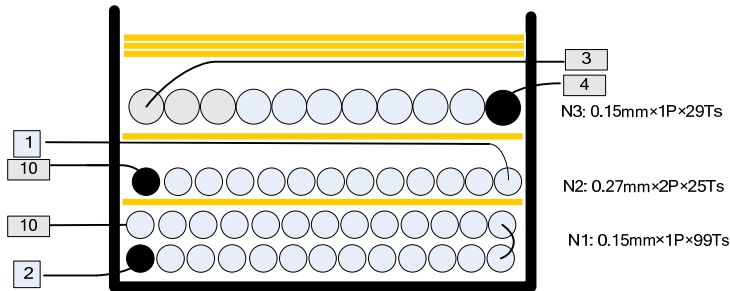


Figure 5—Winding Diagram

Winding Order

Winding No.	Tape Layer Number	Start & End	Magnet Wire Φ (mm)	Turns
N1	1	2→10	0.15mm * 1	99
N2	1	10→1	0.27mm * 2	25
N3	3	4→3	0.15mm * 1	29

Materials

Item	Description
1	Core: EE13, UI=2500±25%, AL=74.8nH/N ² ±3% GAPPED, ACME P4 or equivalent
2	Bobbin: EPC13, 5+5PIN 1 SECT TH, UL94V-0
3	Wire: Φ 0.15mm, 2UEW, Class B
4	Wire: Φ 0.27mm, 2UEW, Class B
5	Tape: 4.0mm(W)×0.06mm(TH)
6	Tape: 7.5mm(W)×0.06mm(TH)
7	Varnish: JOHN C. DOLPH CO, BC-346A or equivalent
8	Solder Bar: CHEN NAN: SN99.5/Cu0.5 or equivalent

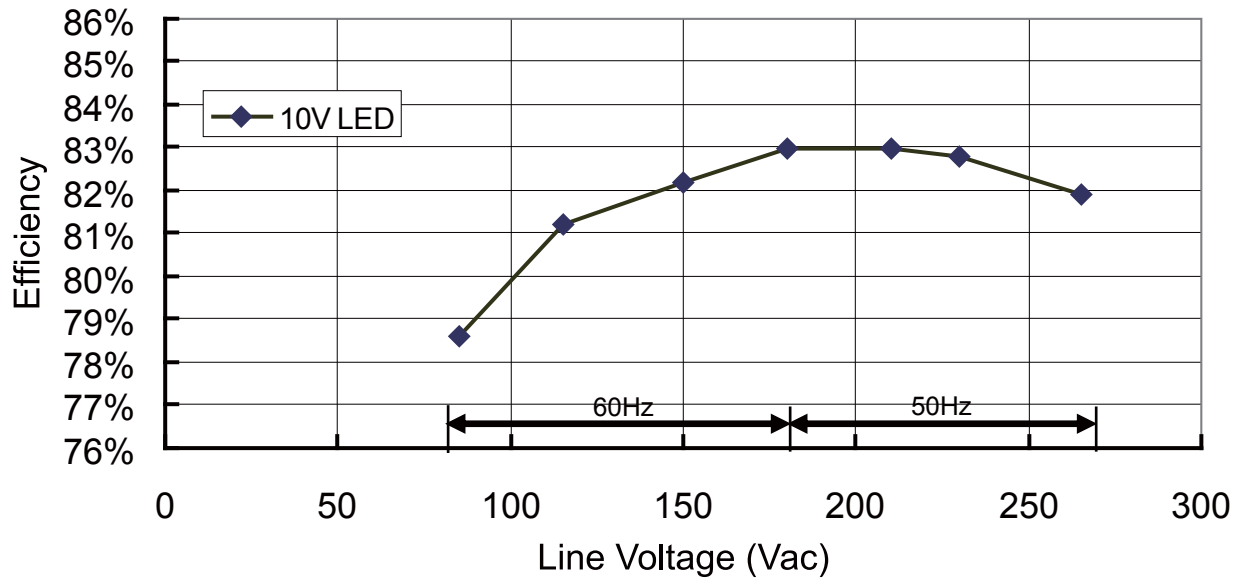
EVB TEST RESULTS

Performance Data

Efficiency

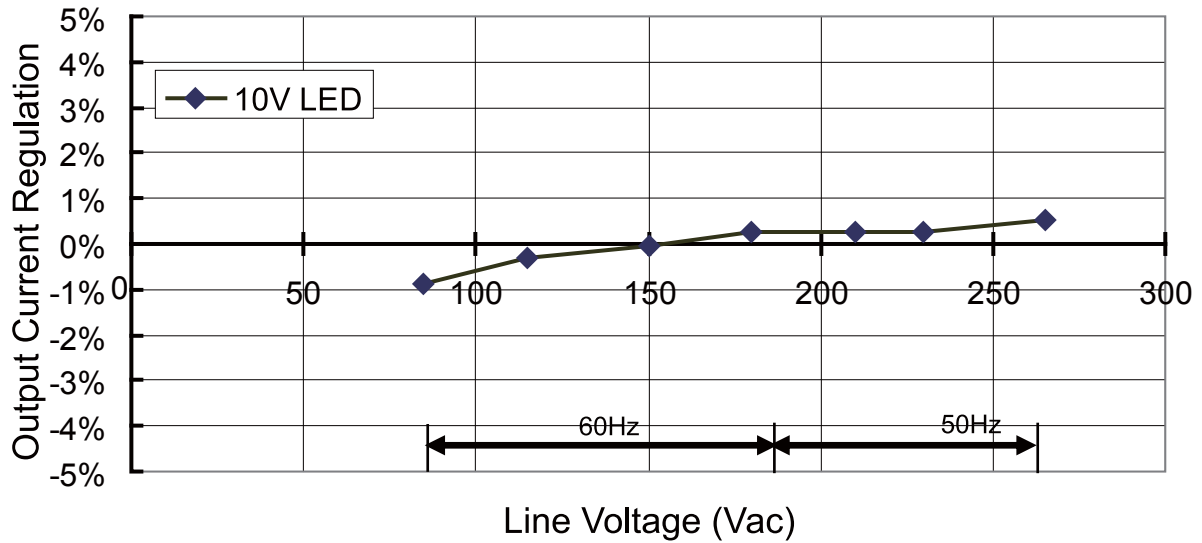
f (Hz)	Vin (VAC)	Pin (W)	Vout (V)	Iout (mA)	Pout (W)	Efficiency (%)
60	85	4.55	10.22	350	3.58	78.61
	115	4.43	10.22	352	3.60	81.21
	150	4.39	10.22	353	3.61	82.18
50	180	4.36	10.22	354	3.62	82.98
	210	4.36	10.22	354	3.62	82.98
	230	4.37	10.22	354	3.62	82.79
	265	4.43	10.22	355	3.63	81.90

Efficiency vs. Input Line Voltage



Line Regulation

Line Regulation



Surge Test

Line to Line 500V surge testing was completed according to IEC61547.

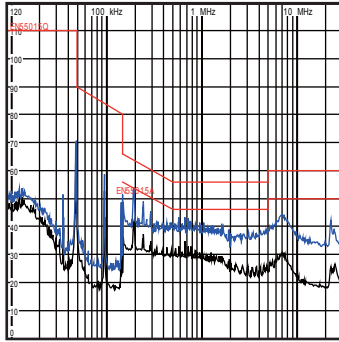
Input voltage was set at 230VAC/50Hz. Output was loaded at full load and operation was verified following each surge event.

Surge Level (V)	Input Voltage (VAC)	Injection Location	Injection Phase (°)	Test Result (Pass/Fail)
+/-500	230	L to N	0	Pass
+/-500	230	L to N	90	Pass
+/-500	230	L to N	180	Pass
+/-500	230	L to N	270	Pass

Conducted EMI Test

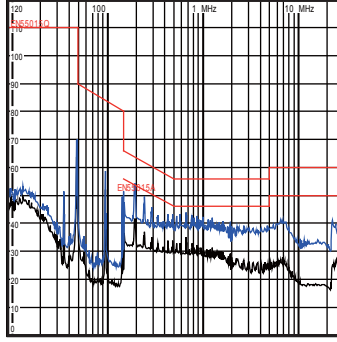
Conducted EMI Test

110Vac, 60Hz, Maximum Load,
L Line, EN55015 Limits



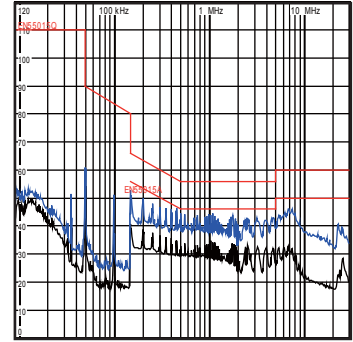
Conducted EMI Test

110Vac, 60Hz, Maximum Load,
N Line, EN55015 Limits



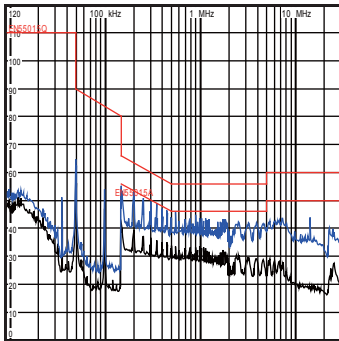
Conducted EMI Test

220Vac, 50Hz, Maximum Load,
L Line, EN55015 Limits



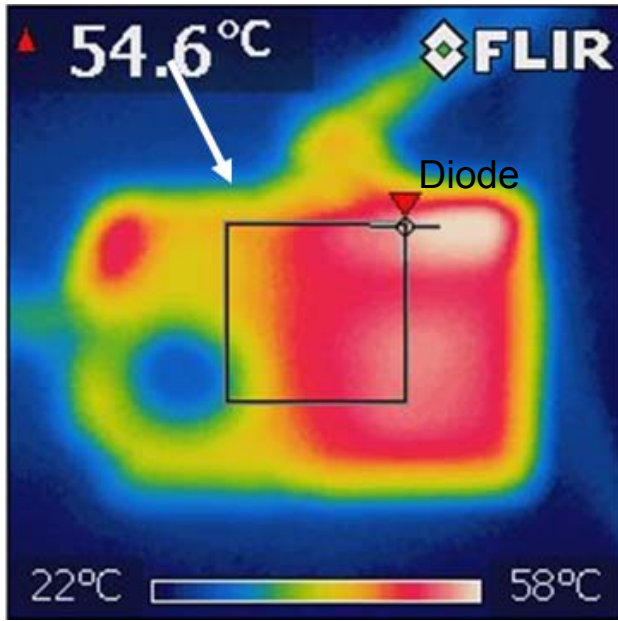
Conducted EMI Test

220Vac, 50Hz, Maximum Load,
N Line, EN55015 Limits

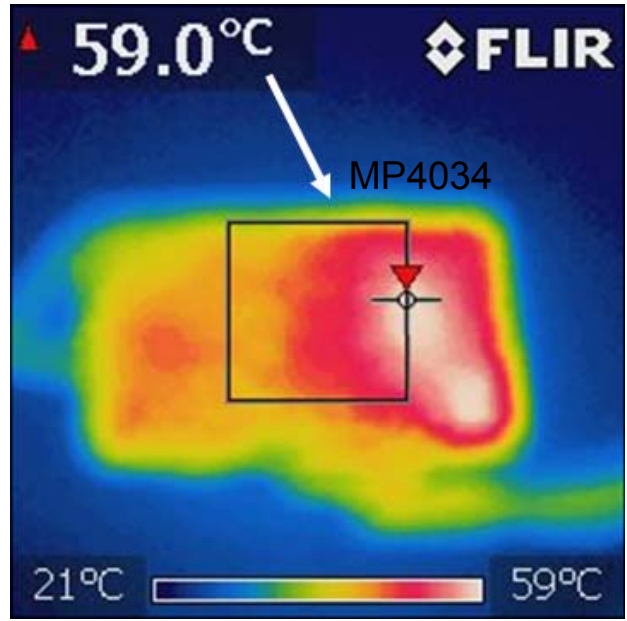


Thermal Test

Test with 85Vac input and full load condition ($T_A=25^\circ\text{C}$)



Top Layer

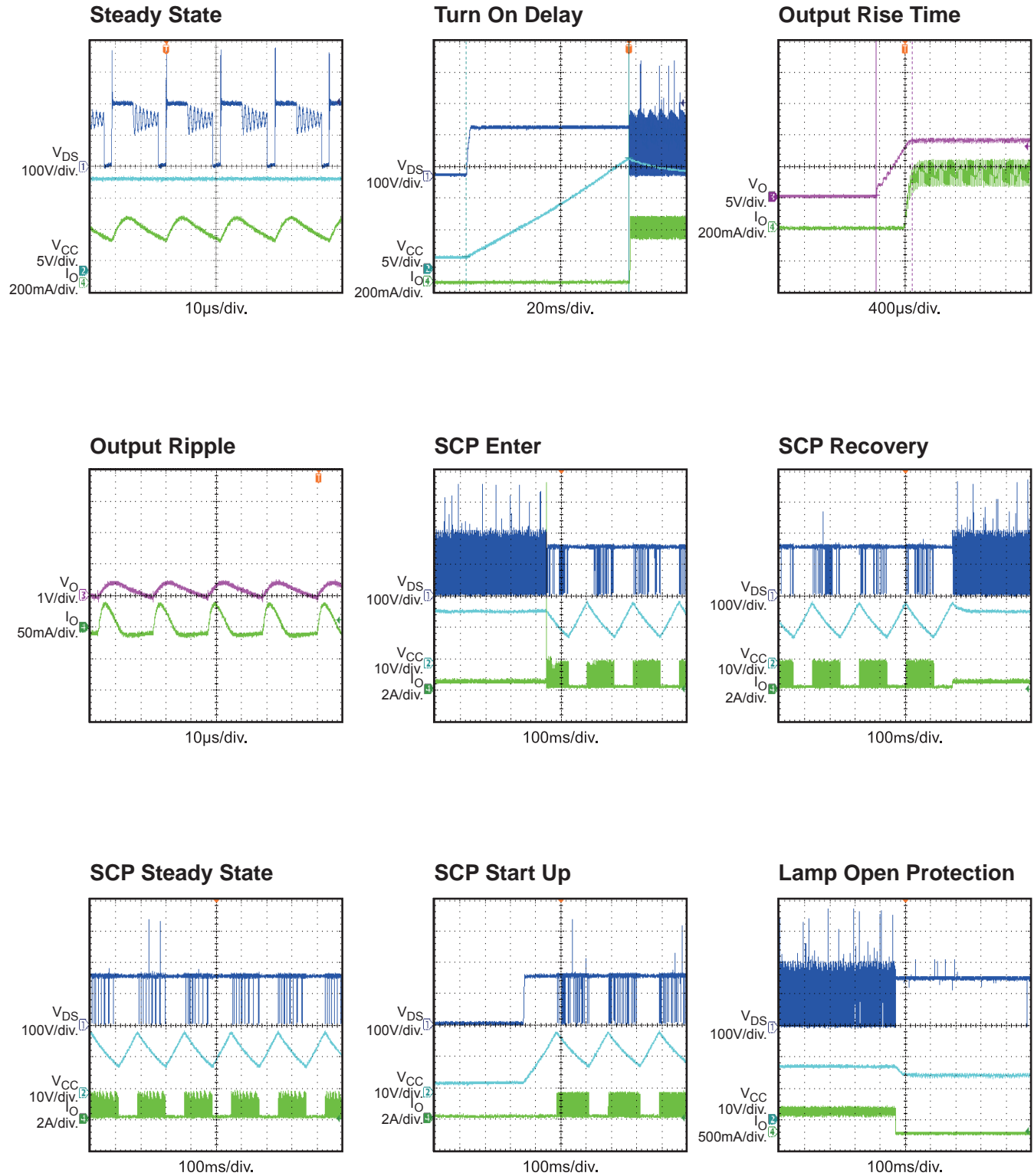


Bottom Layer

EVB TEST RESULTS

Performance waveforms are tested on the evaluation board.

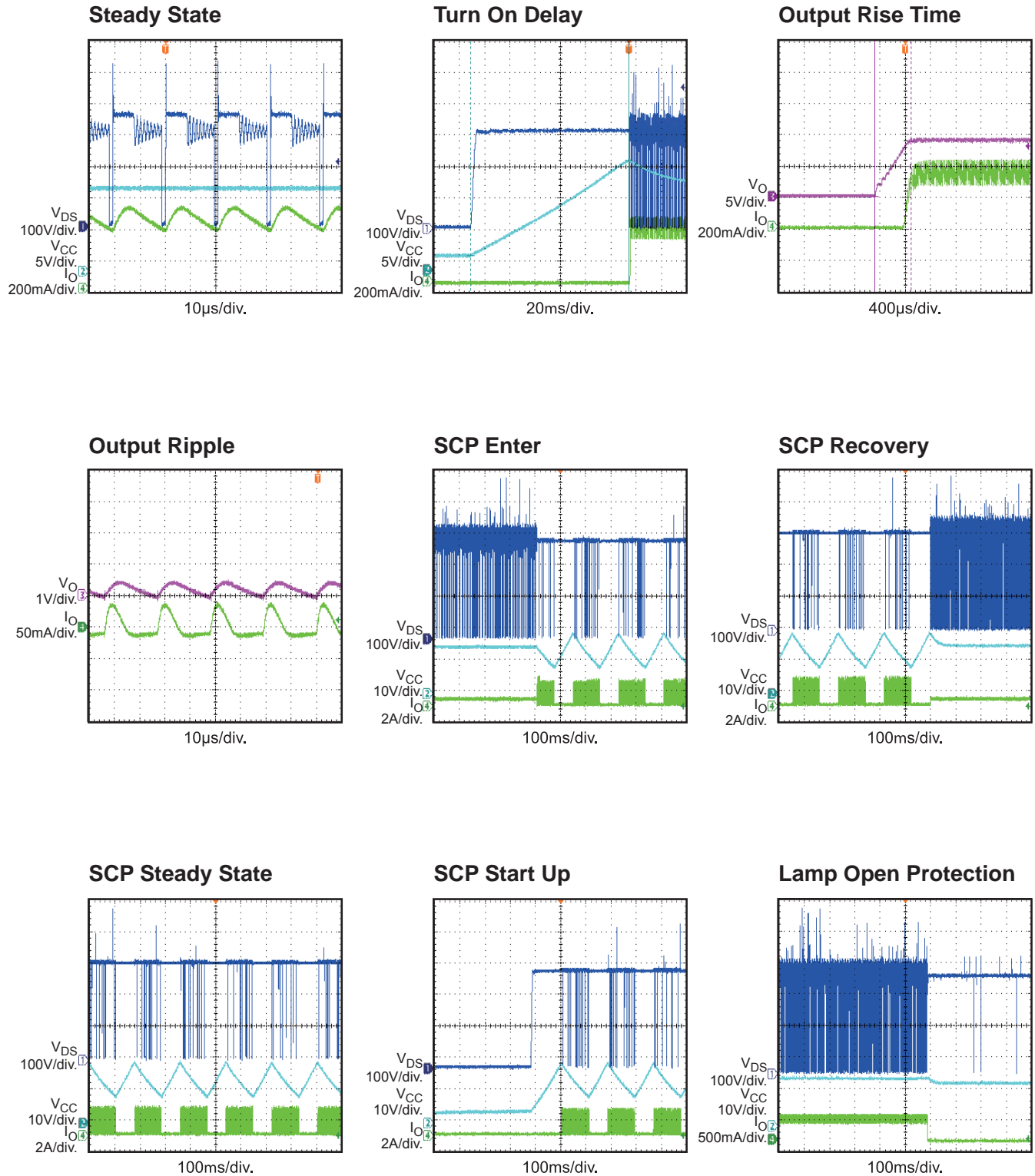
$V_{IN}=110VAC/60Hz$, 3 LEDs in series, $I_{LED}=350mA$, $V_{OUT}=10V$, $L_P=1.15mH$, $N_1:N_2:N_3=99:25:29$



EVB TEST RESULTS *(continued)*

Performance waveforms are tested on the evaluation board.

$V_{IN}=220VAC/50Hz$, 3 LEDs in series, $I_{LED}=350mA$, $V_{OUT}=10V$, $L_P=1.15mH$, $N_1:N_2:N_3=99:25:29$



QUICK START GUIDE

1. Preset AC Power Supply to $85\text{VAC} \leq V_{\text{IN}} \leq 265\text{VAC}$.
2. Turn Power Supply off.
3. Connect the LED string between “LED+” (anode of LED string) and “LED-” (cathode of LED string).
4. Connect Power Supply terminals to AC V_{IN} terminals as shown on the board.
5. Turn AC Power Supply on after making connections.

NOTICE: The information in this document is subject to change without notice. Please contact MPS for current specifications. Users should warrant and guarantee that third party Intellectual Property rights are not infringed upon when integrating MPS products into any application. MPS will not assume any legal responsibility for any said applications.