

### DESCRIPTION

The EV3202-00A is an evaluation board for the MP3202, a step-up converter designed for driving up to 39 white LEDs (13 strings of 3 LEDs each) from a 5V system rail, or 27 white LEDs from 4.5V to 6V.

The MP3202 uses current mode, fixed frequency architecture to regulate the LED current, which is measured through an external current sense resistor. Its low 104mV feedback voltage reduces power loss and improves efficiency. The OV pin monitors the output voltage and turns off the converter if an over-voltage condition is present due to an open circuit condition.

The MP3202 includes under-voltage lockout, current limiting and thermal overload protection preventing damage in the event of an output overload.

### ELECTRICAL SPECIFICATIONS

Parameter	Symbol	Value	Units
Input Voltage	$V_{IN}$	4.5 – 6	V
Number of LEDs		27	

### FEATURES

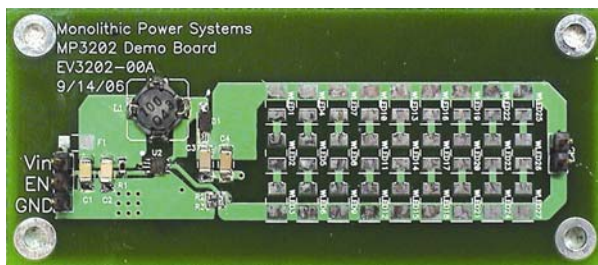
- 4.5V to 6V Input Voltage Range
- Drives up to 27 White LEDs
- Up to 92% Efficiency
- Soft-Start/PWM Dimming
- Fully Assembled and Tested

### APPLICATIONS

- Cell Phones
- Handheld Computers and PDAs
- Digital Still Cameras
- Small LCD Displays

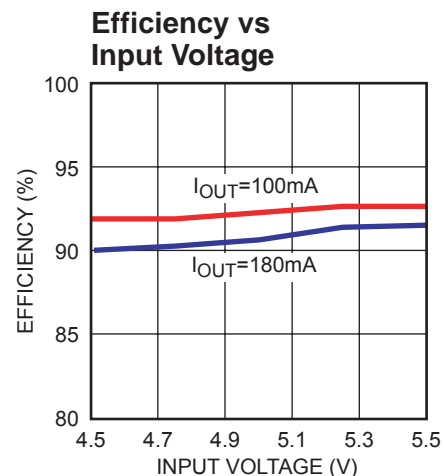
"MPS" and "The Future of Analog IC Technology" are Registered Trademarks of Monolithic Power Systems, Inc.

## EV3202-00A EVALUATION BOARD

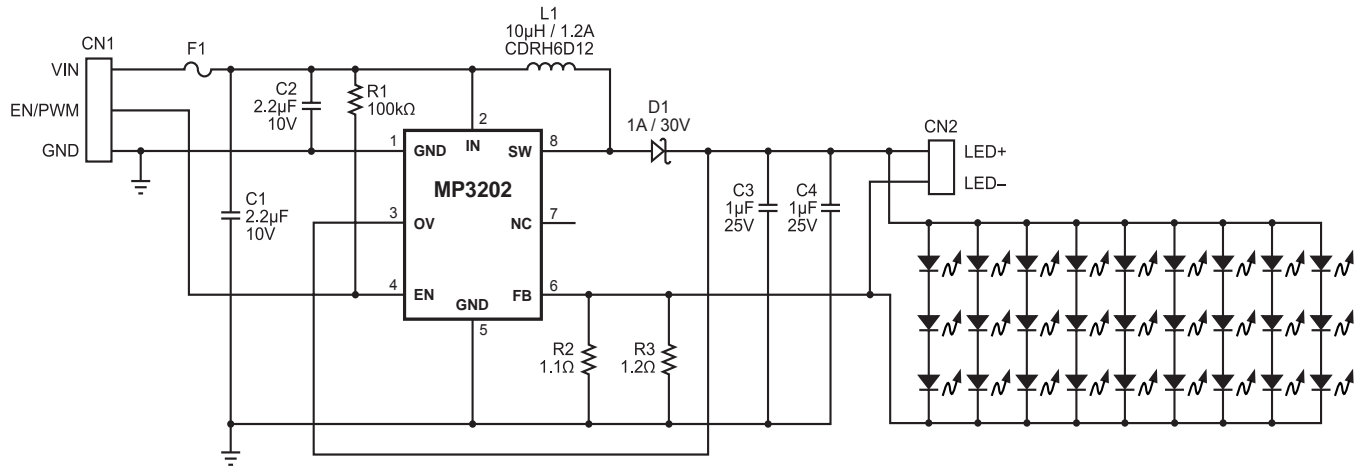


(L x W x H) 3.1" x 1.4" x 0.5"  
7.8cm x 3.5cm x 1.2cm

Board Number	MPS IC Number
EV3202-00A	MP3202DG



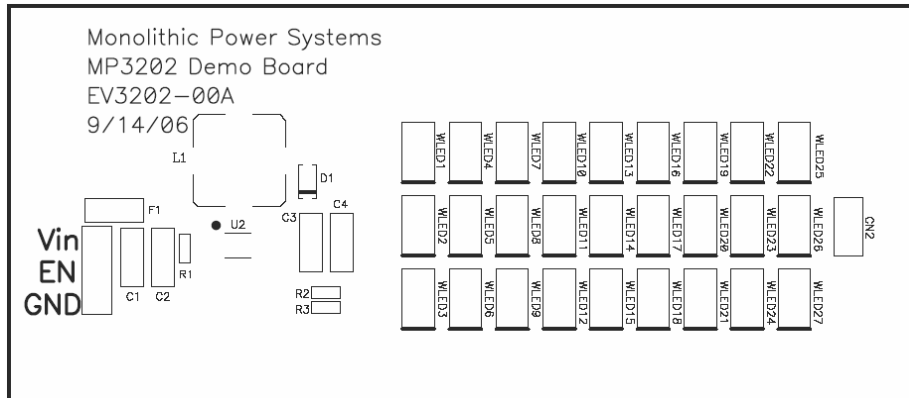
## EVALUATION BOARD SCHEMATIC



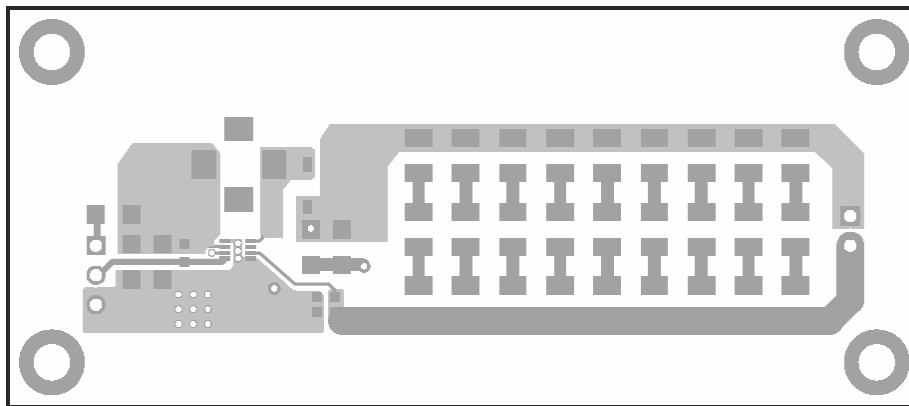
## EV3202-00A BILL OF MATERIALS

Qty	Ref	Value	Description	Package	Manufacturer Part No.
2	C1,C2	2.2µF	Ceramic Capacitor, 10V, X5R	1206	Panasonic: ECJ-3YB1A225K
2	C3, C4	1µF	Ceramic Capacitor, 25V, X7R	1206	TDK: C3216X7R1E105K/.85
1	D1		Diode Schottky, 30V, 1A, 450mW	SOD-123	Diodes Inc: B130LAW-7-F
1	L1	10µH	Inductor, 1.2A	SMD	Sumida: CDRH6D12-100NC
27	LED1 to LED27		White Led, 3.6V, 40 MCD, Not Stuffed	SMD	Lumex: SML-LX23UWC-TR
1	R1	100kΩ	Resistor, 5%	0603	Panasonic: ERJ-3GEYJ104V
1	R2	1.1Ω	Resistor, 5%	0603	Panasonic: ERJ-3GEYJ1R1V
1	R3	1.2Ω	Resistor, 5%	0603	Panasonic: ERJ-3GEYJ1R2V
1	U1		Fixed Frequency Boost, White Led Driver	2x2 QFN8	MPS: MP3202DG
1	F1		1A Fuse	1206	
1	CN1		3-Pin Connector Header, 0.100		Sullins: PTC03SAAN
1	CN2		2-Pin Connector Header, 0.100		Sullins: PTC02SAAN

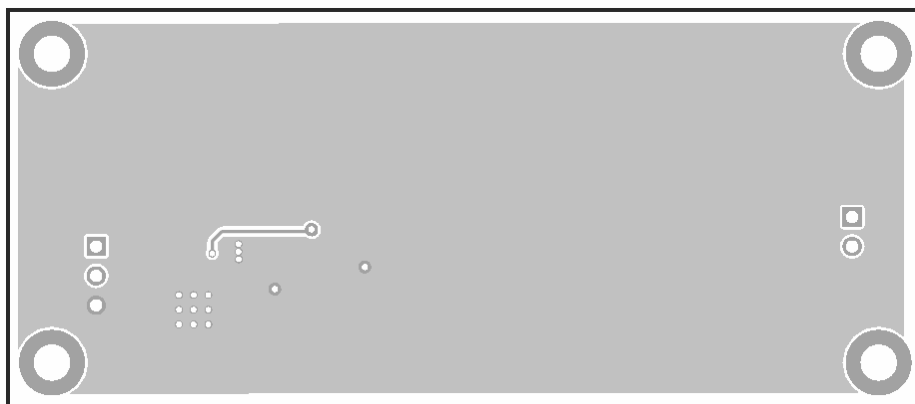
**PRINTED CIRCUIT BOARD LAYOUT**



**Figure 1—Top Silk Layer**



**Figure 2—Top Layer**



**Figure 3—Bottom Layer**

## QUICK START GUIDE

1. Solder LED1 – LED27 to board.
2. Connect the positive and negative terminals of the power supply (4.5V to 6V) to the VIN and GND pins, respectively.
3. This board is set up for automatic startup. Pull EN low to shut down the MP3202.
4. To use burst mode brightness control, drive EN with a PWM signal.

**NOTICE:** The information in this document is subject to change without notice. Users should warrant and guarantee that third party Intellectual Property rights are not infringed upon when integrating MPS products into any application. MPS will not assume any legal responsibility for any said applications.