

### DESCRIPTION

The MP28300 is a monolithic power management unit containing 300mA high efficiency step-down switching converters and a 100mA LDO regulator. The sub micro-ampere quiescent current provides extremely high efficiency when load current is low down to uA range. With the input range up to 5.5V, the MP28300 is ideal for powering battery-powered devices.

The constant-on-time control scheme provides fast transient response, high light load efficiency as well as the minimum capacitors. The regulation is tight by integrating an error amplifier to correct the output voltage.

Another 100mA LDO regulator provides easy system configuration with clean output voltage.

The CTRL pins control the ON/OFF and output voltage selection function.

The MP28300 requires a minimum number of readily available standard external components and is available in a small QFN12 (2x2mm) package.

### ELECTRICAL SPECIFICATION

Parameter	Symbol	Value	Units
Input Voltage	$V_{IN1}, V_{IN2}$	2.0 – 5.5	V
Output Voltage	$V_{OUT1}, V_{OUT2}$	Table 1	
Output Current	$I_{OUT1}$	0.3	A
	$I_{OUT2}$	0.1	A

Note:  $V_{IN} < 3.3V$  may need more input capacitor.

### FEATURES

#### 300mA Buck Switcher:

- Ultra Low IQ: 500nA
- Wide 2.0V to 5.5V Operating Input Range
- 7 Selectable Output Voltages
- Up to 300mA Output Current
- 1.5MHz Switching Frequency at CCM Mode
- 100% Duty Cycle in Dropout
- 0.25Ω and 0.25Ω Internal Power MOSFET Switches
- Cycle-by-Cycle Over Current Protection
- Short Circuit Protect with Hiccup Mode

#### 100mA LDO:

- Ultra Low IQ: 300nA
- 2.0V to 5.5V Operation Input Range
- 3 Selectable Output Voltage
- Over Temperature Protection
- Available in a QFN12-2.0mmx2.0mm Package

### APPLICATIONS

- Solid-State Drive
- Portable Instruments
- Battery-Powered Devices

All MPS parts are lead-free, halogen free, and adhere to the RoHS directive. For MPS green status, please visit MPS website under Quality Assurance.

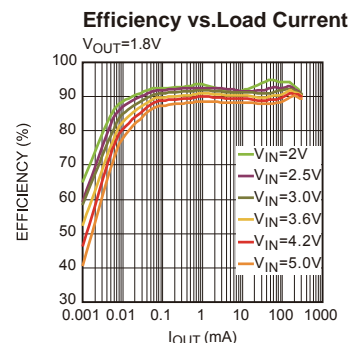
"MPS" and "The Future of Analog IC Technology" are Registered Trademarks of Monolithic Power Systems, Inc.

### EV28300-G-01A EVALUATION BOARD

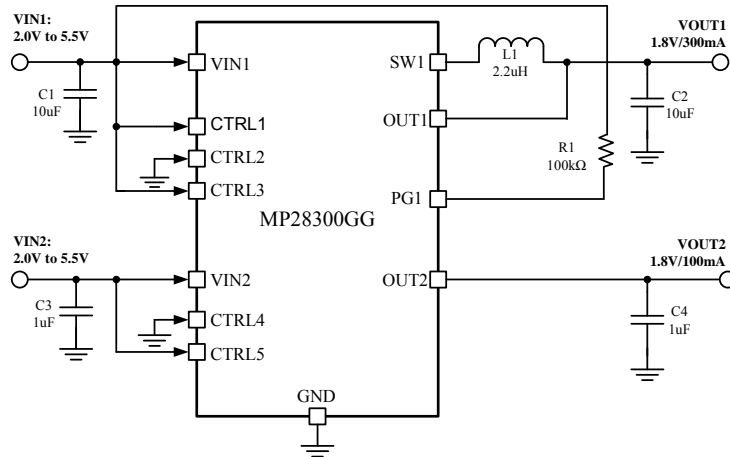


(L x W) 6.3cm x 6.3cm

Board Number	MPS IC Number
EV28300-G-01A	MP28300GG

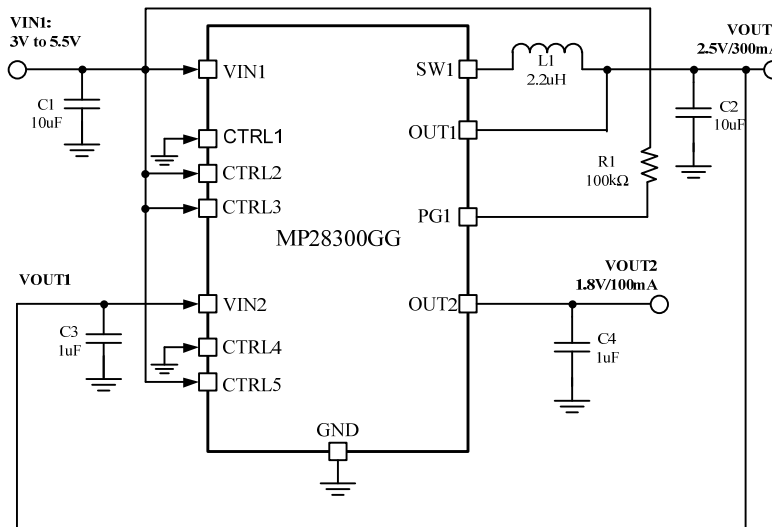


### EVALUATION BOARD SCHEMATIC



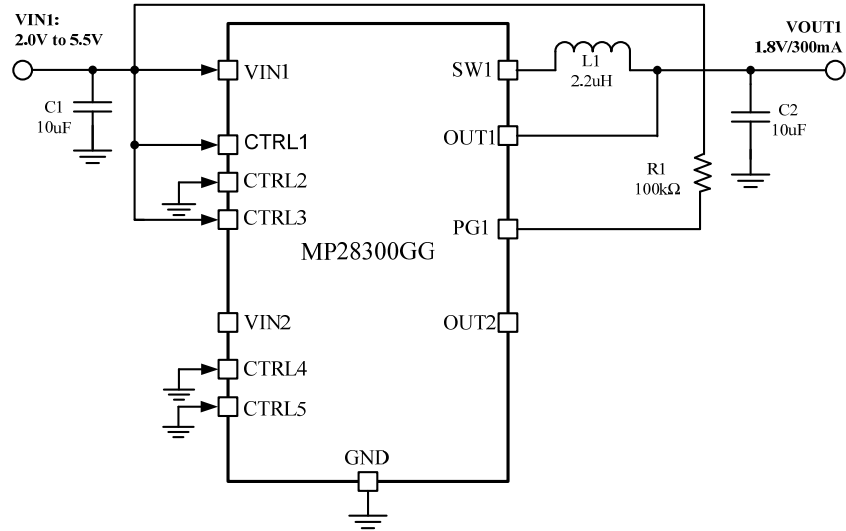
**Figure 1—Typical Application Circuit for MP28300GG**

Note:  $V_{IN} < 3.3V$  may need more input capacitor.



**Figure 2—Typical Application Circuit for Buck and LDO in Sequence**

Note: 1.  $V_{IN} < 3.3V$  may need more input capacitor;  
 2.  $V_{IN} > V_{OUT}$  for application.



**Figure 3—Typical Application Circuit only for Buck**

Note: 1. VIN<3.3V may need more input capacitor

**EV28300GG-01A BILL OF MATERIALS**

Qty	RefDes	Value	Description	Package	Manufacturer	Manufacturer P/N
2	C1,C2	10 $\mu$ F	Ceramic Cap,6.3V,X5R	0603	muRata	GRM188R60J106ME47D
2	C3,C4	1 $\mu$ F	Ceramic Cap,6.3V,X5R	0603	muRata	GRM188R60J105KA01D
1	R1	100k	Film Res.1%	0603	ROYALOHM	F1003T5E
1	L1	2.2 $\mu$ H	Inductor, Isate=2.1A, Rdc=144m $\Omega$	2016	muRata	DFE201612P-2R2M
1	U1		Step-down Switcher	QFN12-2x2mm	MPS	MP28300GG
5	CTRL1, CTRL2, CTRL3, CTRL4, CTRL5				Wurth	450301014042

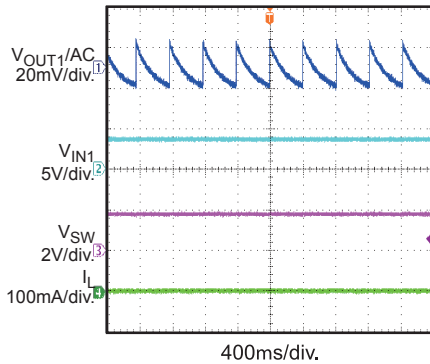
## EVB TEST RESULTS

Performance waveforms are tested on the evaluation board.

$V_{IN1}=3.6V$ ,  $V_{OUT1}=1.8V$ ,  $L_1=2.2\mu H$ ,  $C_{IN1}=10\mu F$ ,  $C_{OUT1}=10\mu F$ ,  $V_{IN2}=3.6V$ ,  $V_{OUT2}=1.8V$ ,  $C_{IN2}=1\mu F$ ,  $C_{OUT2}=1\mu F$ ,  $T_A = +25^\circ C$ , unless otherwise noted.

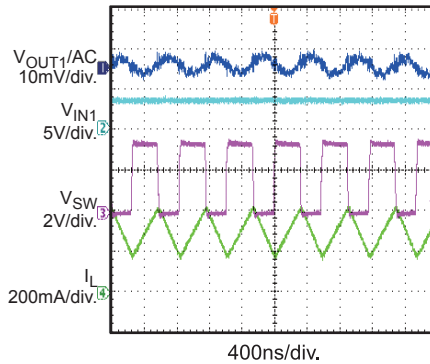
**Steady State**

$I_{OUT1} = 0A$



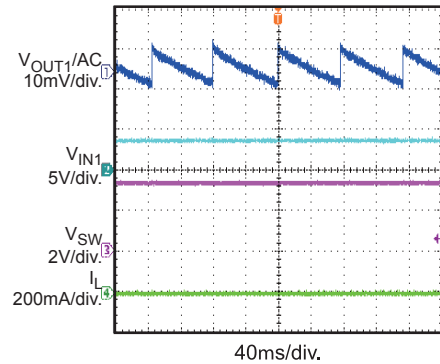
**Steady State**

$I_{OUT1} = 0.3A$



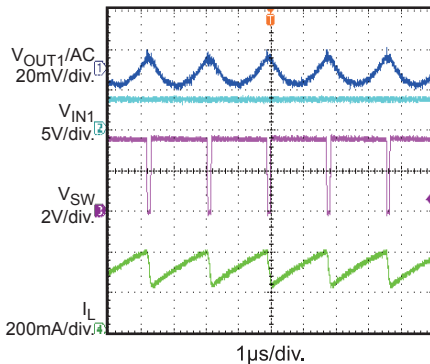
**Steady State**

$V_{OUT1} = 3.3V$ ,  $I_{OUT1} = 0A$



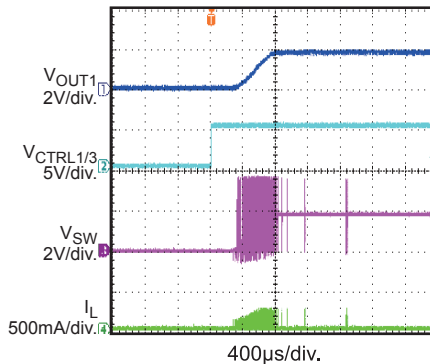
**Steady State**

$V_{OUT1} = 3.3V$ ,  $I_{OUT1} = 0.3A$



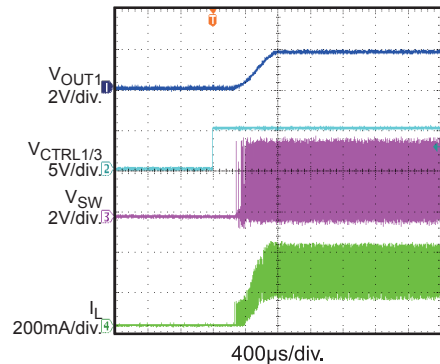
**CTRL On**

$I_{OUT1} = 0A$



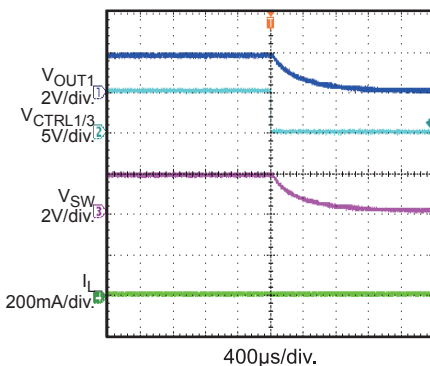
**CTRL On**

$I_{OUT1} = 0.3A$



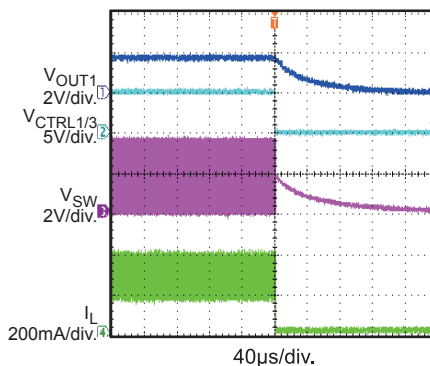
**CTRL Off**

$I_{OUT1} = 0A$



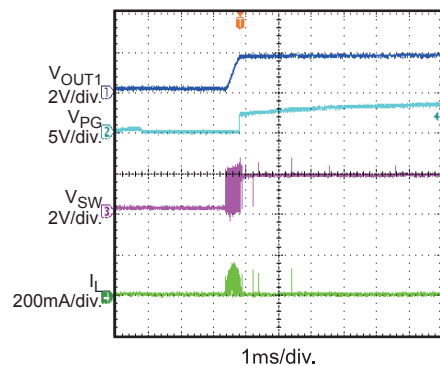
**CTRL Off**

$I_{OUT1} = 0.3A$



**PG On**

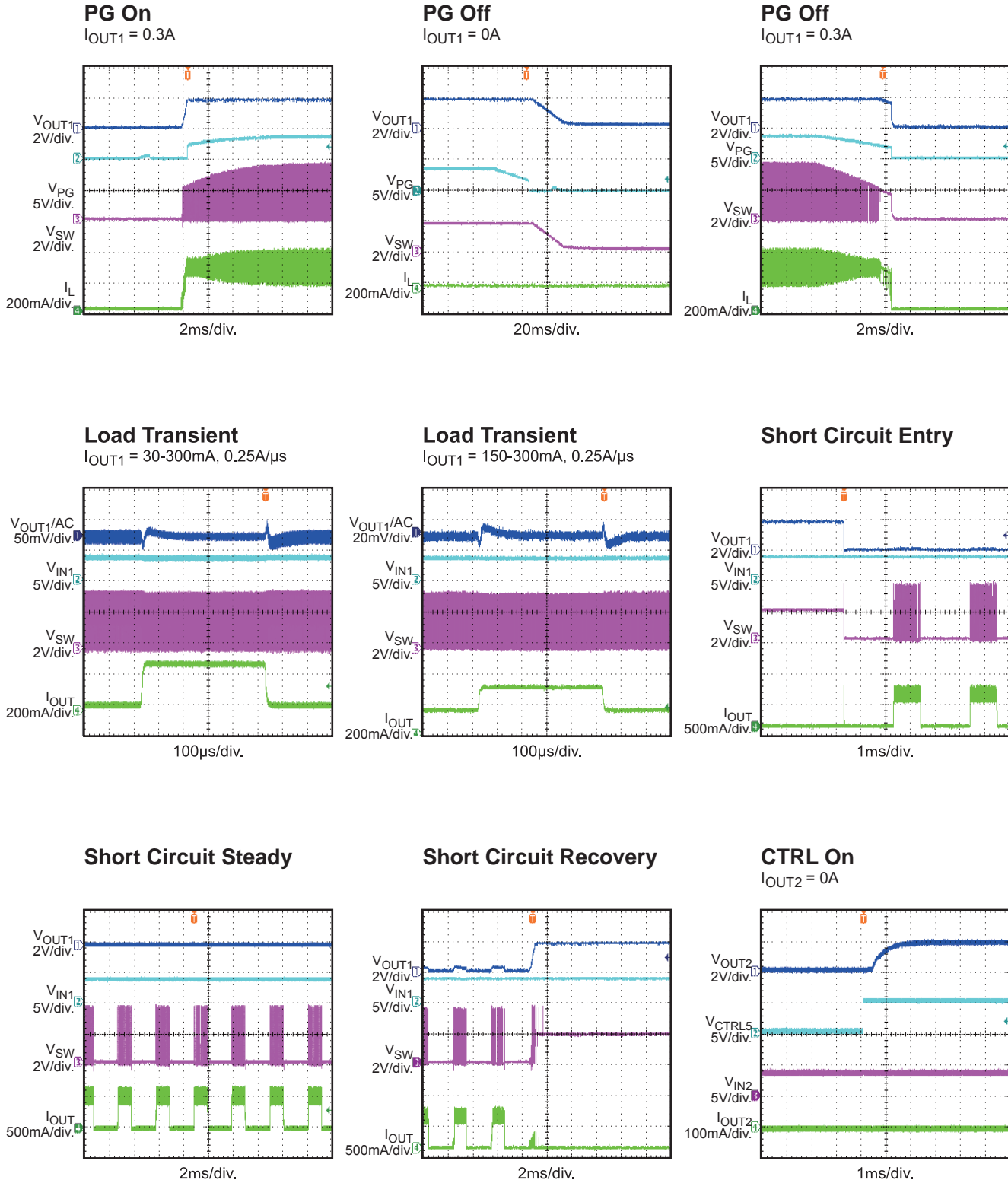
$I_{OUT1} = 0A$



## EVB TEST RESULTS (continued)

Performance waveforms are tested on the evaluation board.

$V_{IN1}=3.6V$ ,  $V_{OUT1}=1.8V$ ,  $L_1=2.2\mu H$ ,  $C_{IN1}=10\mu F$ ,  $C_{OUT1}=10\mu F$ ,  $V_{IN2}=3.6V$ ,  $V_{OUT2}=1.8V$ ,  $C_{IN2}=1\mu F$ ,  $C_{OUT2}=1\mu F$ ,  $T_A = +25^\circ C$ , unless otherwise noted.

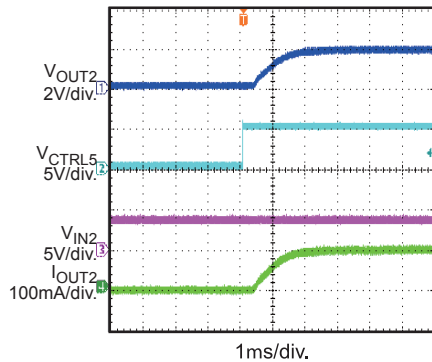


## EVB TEST RESULTS (continued)

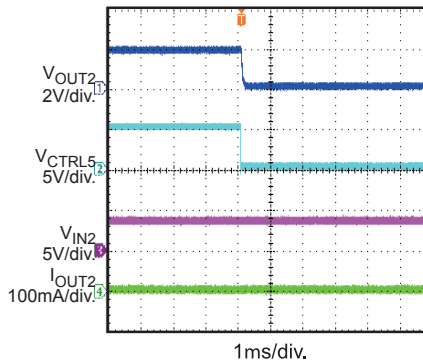
Performance waveforms are tested on the evaluation board.

$V_{IN1}=3.6V$ ,  $V_{OUT1}=1.8V$ ,  $L_1=2.2\mu H$ ,  $C_{IN1}=10\mu F$ ,  $C_{OUT1}=10\mu F$ ,  $V_{IN2}=3.6V$ ,  $V_{OUT2}=1.8V$ ,  $C_{IN2}=1\mu F$ ,  $C_{OUT2}=1\mu F$ ,  $T_A = +25^\circ C$ , unless otherwise noted.

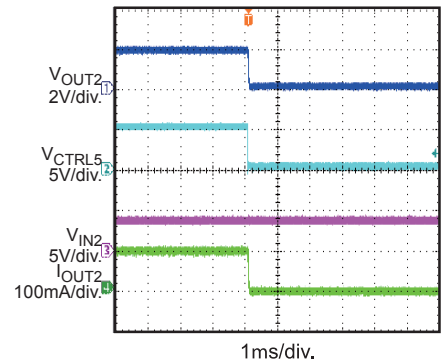
**CTRL On**  
 $I_{OUT2} = 0.1A$



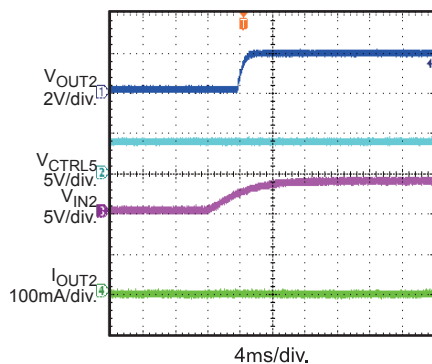
**CTRL Off**  
 $I_{OUT2} = 0A$



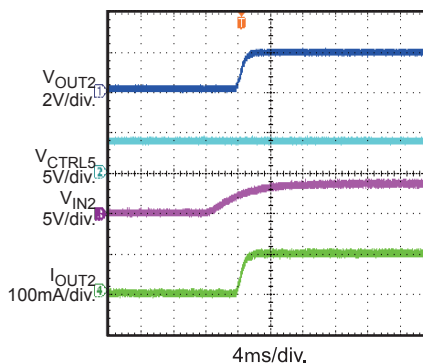
**CTRL Off**  
 $I_{OUT2} = 0.1A$



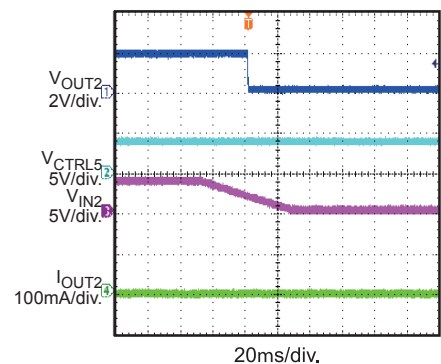
**VIN On**  
 $I_{OUT2} = 0A$



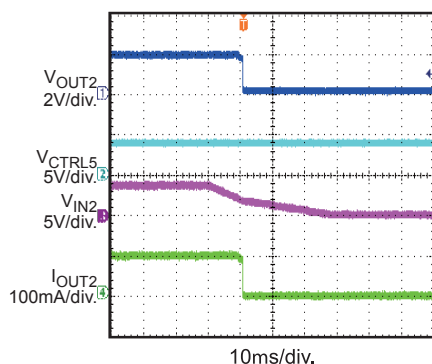
**VIN On**  
 $I_{OUT2} = 0.1A$



**VIN Off**  
 $I_{OUT2} = 0A$

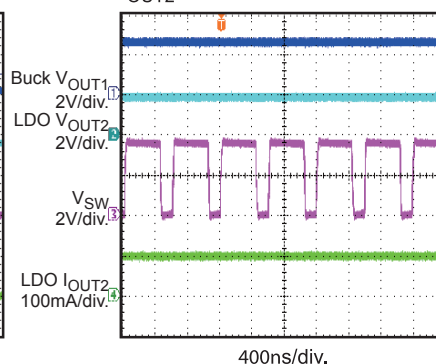


**VIN Off**  
 $I_{OUT2} = 0.1A$



**Buck+LDO**

$V_{IN1} = 3.6$ ,  $V_{OUT1} = 2.5V$ ,  $V_{IN2}=V_{OUT1}$ ,  
 $V_{OUT2} = 1.8V$ ,  $I_{OUT1} = 200mA$ ,  
 $I_{OUT2} = 100mA$ ,



### PRINTED CIRCUIT BOARD LAYOUT

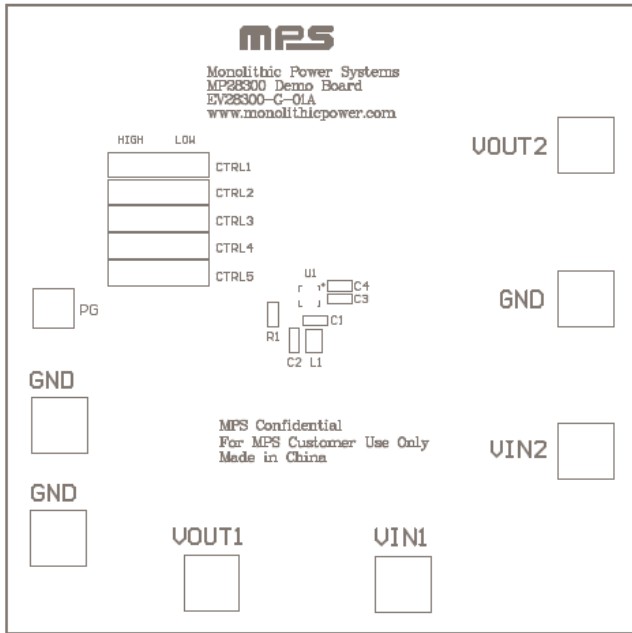


Figure 4—Top Silk Layer

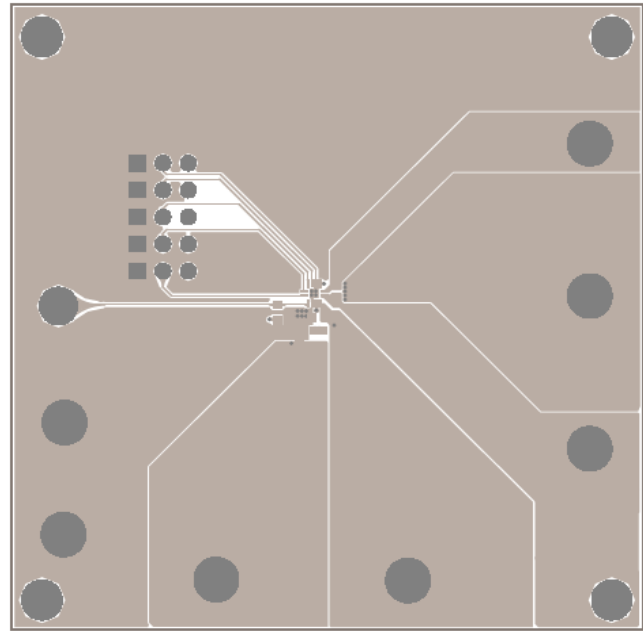


Figure 5—Top Layer

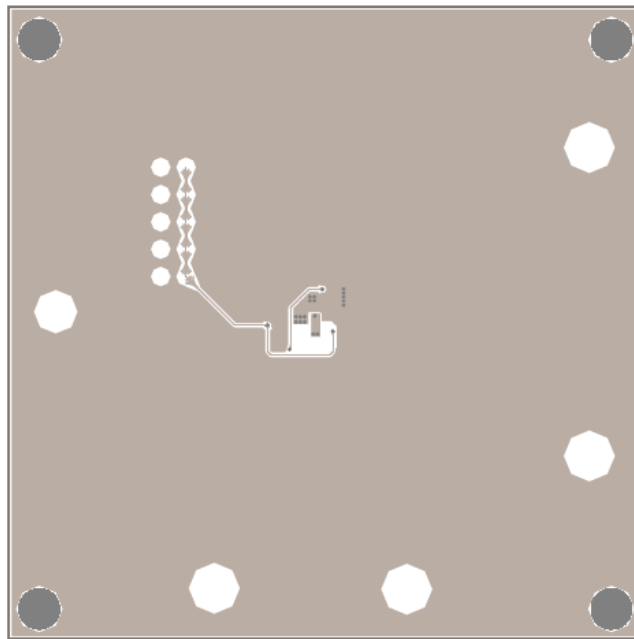


Figure 6—Bottom Layer



## QUICK START GUIDE

The output voltage of this board is set by Table1. When switcher turns to high, relative CTRL pin connects to Vin; when switcher turns to low, CTRL pin connects to GND.

1. Connect the positive and negative terminals of the load to the VOUT and GND pins, respectively.
2. Preset the power supply output between 2.0V and 5.5V, and then turn off the power supply.
3. Connect the positive and negative terminals of the power supply output to the VIN and GND pins, respectively. Ton on the power supply.
4. According to Table1, turn on relative switchers(CTRL) to test voltage. The board will automatically start up.
5. Swith to different ouput voltage only need move relative switcher directly.

**Table 1 CTRL vs. Output Voltages**

<b>For Step Down Switcher:</b>			
CTRL3	CTRL2	CTRL1	OUT1
0	0	0	Disabled
0	0	1	0.8V
0	1	0	1.0V
0	1	1	1.2V
1	0	0	1.5V
1	0	1	1.8V
1	1	0	2.5V
1	1	1	3.3V
<b>For LDO:</b>			
CTRL5	CTRL4		OUT2
0	0		Disabled
0	1		1.3V
1	0		1.8V
1	1		3.3V

Note: If only use LDO, Vin1 should keep more than 2V.

**NOTICE:** The information in this document is subject to change without notice. Please contact MPS for current specifications. Users should warrant and guarantee that third party Intellectual Property rights are not infringed upon when integrating MPS products into any application. MPS will not assume any legal responsibility for any said applications.