

DESCRIPTION

The EV2490DQ-00B is an evaluation board for the MP2490. The MP2490 is a monolithic step-down switch mode converter with a programmable output current limit. It achieves 1.5A continuous output current over a wide input supply range with excellent load and line regulation.

The maximum output current can be programmed by sensing current through the inductor DC resistance (DCR) or an accurate sensor resistor. The current sensing of EV2490DQ-00B is through the inductor DC resistance (DCR).

Fault condition protection includes cycle-by-cycle current limiting and thermal shutdown.

The MP2490 requires a minimum number of readily available standard external components.

ELECTRICAL SPECIFICATIONS

Parameter	Symbol	Value	Units
Input Voltage	V_{IN}	8 - 36	V
Output Voltage	V_{OUT}	5	V
Output Current	I_{LOAD}	1.5	A

FEATURES

- Programmable up to 1.5A Output Current
- Output Adjustable from 0.8V to 15V
- Programmable Output Current Limit without Additional Power Loss
- 0.25Ω Internal Power MOSFET Switch
- Stable with Low ESR Output Ceramic Capacitors
- 95% Efficiency @ 500mA ($V_o=5V$)
- Fixed 700KHz Frequency
- Thermal Shutdown
- Cycle-by-Cycle Over Current Protection
- Wide 8V to 36V Operating Input Range

APPLICATIONS

- USB Power Supplies
- Automotive Cigarette Lighter Adapters
- Linear Chargers

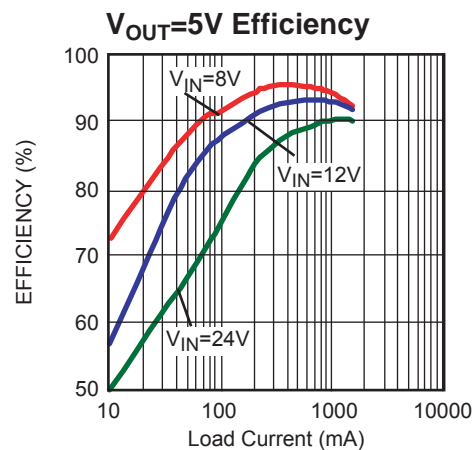
MPS® and "The Future of Analog IC Technology" are Registered Trademarks of Monolithic Power Systems, Inc.

EV2490DQ-00B EVALUATION BOARD

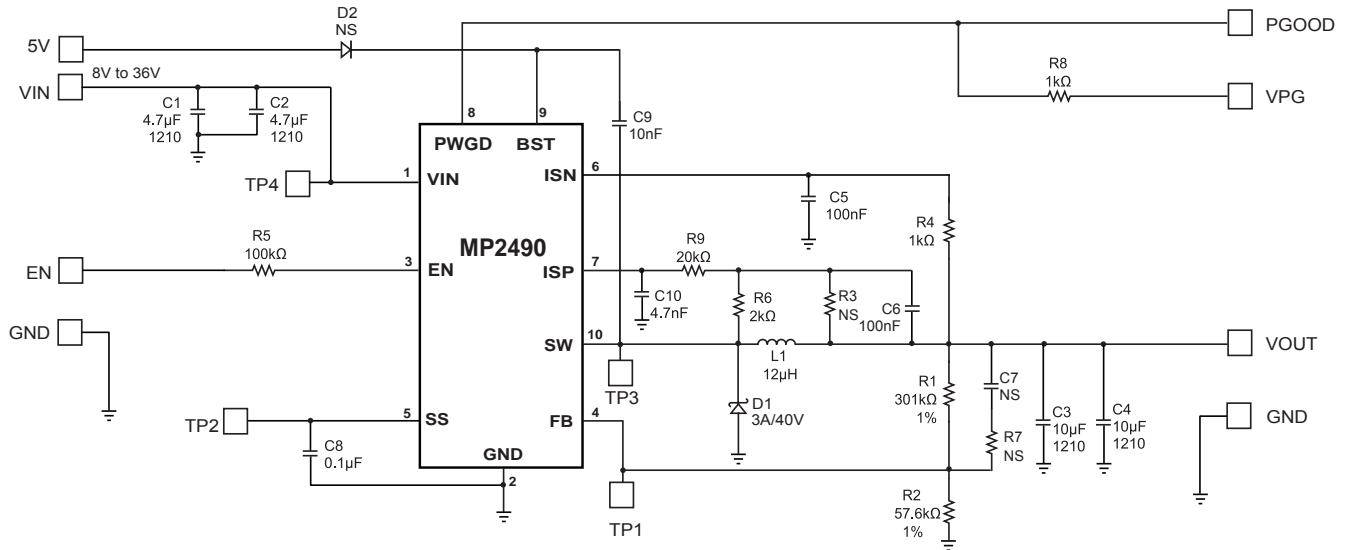


(L x W x H) 1.8" x 1.8" x 0.4"
(4.6cm x 4.6cm x 1.0cm)

Board Number	MPS IC Number
EV2490DQ-00B	MP2490DQ



EVALUATION BOARD SCHEMATIC



EV2490DQ-00B BILL OF MATERIALS

Qty	Ref	Value	Description	Package	Manufacturer	Manufacturer P/N
2	C1, C2	4.7µF	Ceramic Cap., 50V, X7R	1210	muRata	GRM32ER71H475K
2	C3, C4	10µF	Ceramic Cap., 25V, X7R	1210	muRata	GRM32DR71E106K
2	C5, C6	100nF	Ceramic Cap., 50V, X7R	0603	muRata	GRM188R71H104K
	C7	NS		0603		
1	C8	0.1µF	Ceramic Cap., 16V, X7R	0603	muRata	GRM188R71C104K
1	C9	10nF	Ceramic Cap., 50V, X7R	0603	muRata	GRM188R71H103K
1	C10	4.7nF	Ceramic Cap., 50V, X7R	0603	muRata	GRM188R71C475
1	D1	3A	Schottky Diode, SMD, 40V, 3A	SMA	ON Semiconductor	MBRA340T3GOSCT
	D2	NS	Diode, SMD,	SOD323		
2	JP1, JP2		8-Pin Header, 0.1"		Sullins	PTC08SAAN
1	L1	12µH	DS85LC Inductor, 2.3A/60mΩ	SMD	TOKO	B1000AS-120M
1	R _s	1mΩ	Film Res., 1%, 1mΩ	2010	Vishay	WSLF001TR-ND
1	R1	301kΩ	Film Res., 1%, 301KΩ	0603	Panasonic	ERJ-3EKF3013V
1	R2	57.6KΩ	Film Res., 1%, 57.6KΩ	0603	Panasonic	ERJ-3EKF5762V
1	R4	0Ω	Film Res., 5%, 0Ω	0603	Panasonic	ERJ-3GEY0R00V
1	R5	100kΩ	Film Res., 5%, 100KΩ	0603	Panasonic	ERJ-3GEYJ104V
1	R6	2kΩ	Film Res., 5%, 2KΩ	0603	Panasonic	ERJ-3GEYJ202V
1	R9	20kΩ	Film Res., 5%, 20KΩ	0603	Panasonic	ERJ-3GEYJ203V
2	R8, R10	1kΩ	Film Res., 5%, 1KΩ	0603	Panasonic	ERJ-3GEYJ102V
	R3, R7	NS		0603		
1	U1		DC-DC Converter	QFN10	MPS	MP2490DQ

PRINTED CIRCUIT BOARD LAYOUT

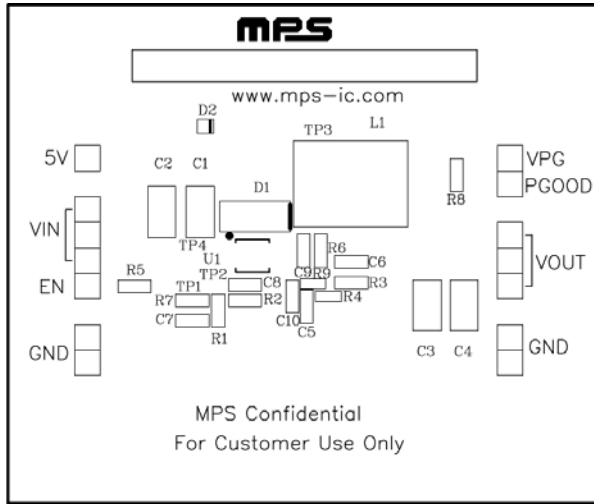


Figure 1—Top Silk Layer

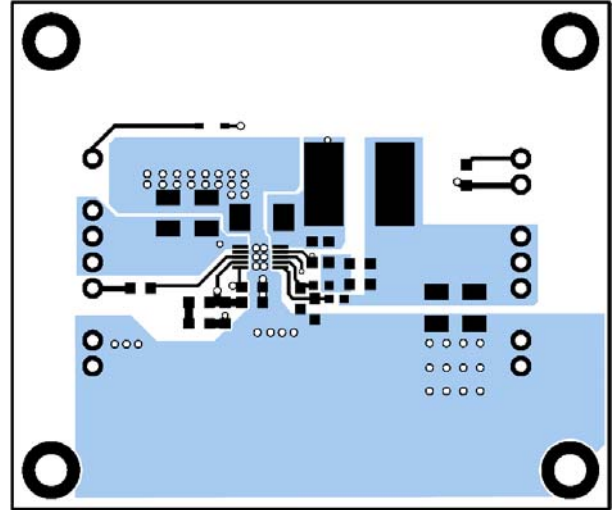


Figure 2—Top Layer

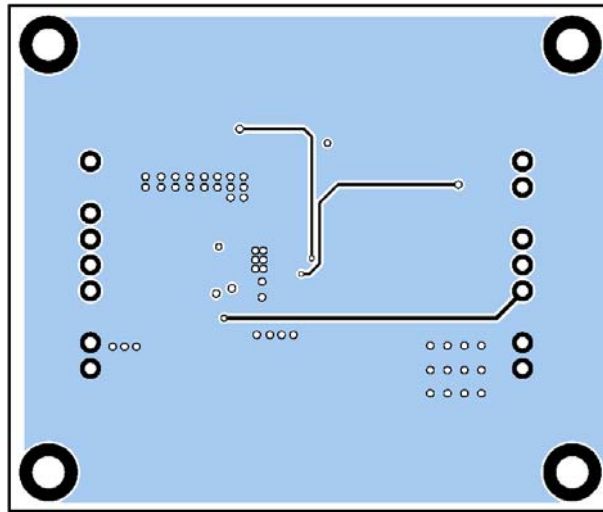


Figure 3—Bottom Layer

QUICK START GUIDE

1. The output voltage of this board is set to 5V. The board layout accommodates most commonly used inductors and output capacitors.
2. Attach the positive and negative ends of the load to the VOUT and GND pins, respectively.
3. Attach the input voltage ($8V \leq V_{IN} \leq 36V$) and input ground to the IN and GND pins, respectively.
4. The MP2490 will startup automatically without applying an external voltage to the EN pin. The output voltage V_{OUT} can be changed by varying R2. Calculate the new value using the formula:

$$R2 = R1 \times V_{FB} / (V_{OUT} - V_{FB})$$

Where $V_{FB} = 0.8V$ and $R1 = 300k\Omega$.

For example, for $V_{OUT} = 5V$:

$$R2 = R1 \times V_{FB} / (V_{OUT} - V_{FB}) = 300K\Omega \times (0.8/5-0.8) = 57.1K\Omega$$

For the closest standard 1% value.

5. The output current limit is set as:

$$I_{OUT} = \frac{100mV}{DCR} \times \frac{R6 + R3}{R3}$$

For DCR current sense, it is desirable to keep:

$$\frac{R6 + R3}{R6 + R3} \cdot C6 = \frac{L1}{DCR}$$

DCR is the DC resistance of the inductor winding.

NOTICE: The information in this document is subject to change without notice. Users should warrant and guarantee that third party Intellectual Property rights are not infringed upon when integrating MPS products into any application. MPS will not assume any legal responsibility for any said applications.