

DESCRIPTION

The EV20042DG-JG-00A evaluation board demonstrates the performance of MP20042, a dual channel, low noise, low dropout and high PSRR linear regulator. It operates from a 2.9V to 6V input voltage and regulates the output voltage to 2.5V for output channel 1 and 1.8V for output channel 2.

Each output channel can supply up to 200mA of load current. The EN1 and EN2 pins control each output respectively. The EV20042DG-JG-00A features current limiting and over temperature protection, stability with ultra low ESR ceramic capacitors, and fast transient response.

EV20042DG-JG-00A can also be used to evaluate the other version MP20042 with different output voltage by replacing the chip on the evaluation board.

FEATURES

- Wide Operating Voltage Ranges: 2.9V to 6V
- Up to 200mA Output Current (Per Channel)
- Dual Enable Pins Control Each Output
- 72dB PSRR at 1kHz
- 11 μ V_{RMS} Low Noise Output
- 110mV Dropout at 100mA Load
- Very Fast Transient Responses with Small Output Capacitor
- Current Limiting and Thermal Protection

APPLICATIONS

- Cellular Phones
- Battery-powered Equipment
- Laptop, Notebook, and Palmtop Computers
- Hand-held Equipment
- Wireless LAN

MPS® and "The Future of Analog IC Technology" are Registered Trademarks of Monolithic Power Systems, Inc.

ELECTRICAL SPECIFICATIONS

Parameter	Symbol	Value	Units
Input Voltage	V _{IN}	2.9 – 6.0	V
Output Voltage	V _{OUT1}	2.5	V
	V _{OUT2}	1.8	V
Operating Temperature		-40 – +85	°C

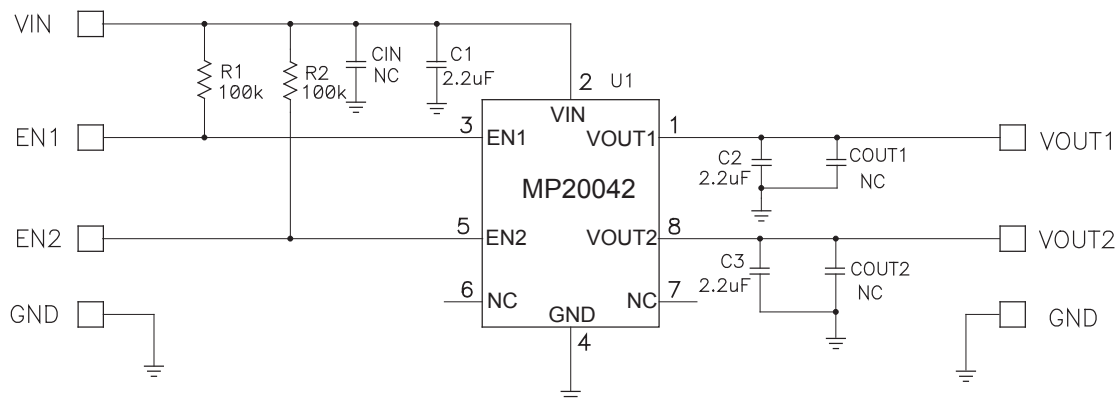
EV20042DG-JG-00A EVALUATION BOARD



(L x W x H) 2.0" x 2.0" x 0.4"
(5.0cm x 5.0cm x 1.1cm)

Board Number	MPS IC Number
EV20042DG-JG-00A	MP20042DG-JG

EVALUATION BOARD SCHEMATIC



EV20042DG-JG-00A BILL OF MATERIALS

Qty	Ref	Value	Description	Package	Manufacturer	Part Number
3	C1, C2, C3	2.2uF	Ceramic Capacitor, X7R/ X5R, 10V	0805	TDK	C2012X5R1A225K
2	R1, R2	100K	Film Res, 5%	0805	Yageo	RC0805JR-07100KL
1	CIN	NS				
2	COUT1, COUT2	NS				
1	U1		LDO Regulator	QFN8(2x2)	MPS	MP20042DG-JG

PRINTED CIRCUIT BOARD LAYOUT

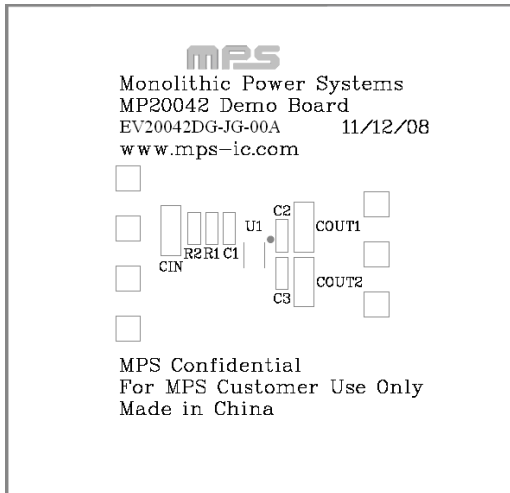


Figure 1—Top Silk Layer

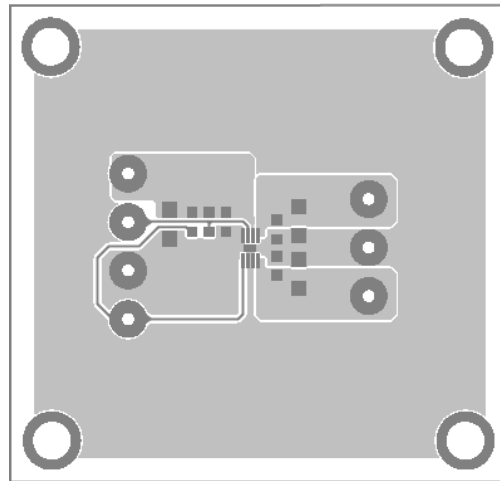


Figure 2—Top Layer

QUICK START GUIDE

The output voltage of this board is set to 2.5V for channel 1 and 1.8V for channel 2. The EN pin is connected to V_{IN} with a 100k Ω resistor for automatic startup. You can connect EN to GND to disable the MP20042.

1. Attach the positive and negative ends of the load to the VOUT and GND pins, respectively.
2. Attach the input voltage ($2.9V \leq V_{IN} \leq 6V$) and input ground to the V_{IN} and GND pins, respectively.

To evaluate the other version MP20042 with different output voltage, carefully remove the IC (U1) and replace it with the corresponding chip. Please refer to the datasheet for the detailed information of the different output voltage option of MP20042.

NOTICE: The information in this document is subject to change without notice. Please contact MPS for current specifications. Users should warrant and guarantee that third party Intellectual Property rights are not infringed upon when integrating MPS products into any application. MPS will not assume any legal responsibility for any said applications.