

DESCRIPTION

The EV4816A-G-00A is an evaluation board for the MP4816A, a high voltage 16-channel analog switch. The MP4816A is designed for medical ultrasound application. It can also be used for non-destructive test (NDT) as the application is very similar to medical ultrasound.

The high voltage analog switches are used to multiplex the transmitter and receiver circuitries to different piezoelectric transducer (PZT) elements. The MP4816A has a resistor to ground on the output pins, SWout. This is to help ensure there is no significant DC voltage built up across the PZT element. The switches can be turned on/off via a serial 16-bit shift register. The serial control interface will help minimize the number of I/O connection.

FEATURES

- 16 Channels
- No High Voltage Bias Required
- Up to ±90V Analog Signal
- 12.5Ω Typical Switch Resistance
- ±2.0A Typical Switch Peak Current
- 80MHz Clock Frequency at VLL=5.0V
- 40MHz Clock Frequency at VLL=3.3V
- Integrated Bleed Resistors – MP4816A

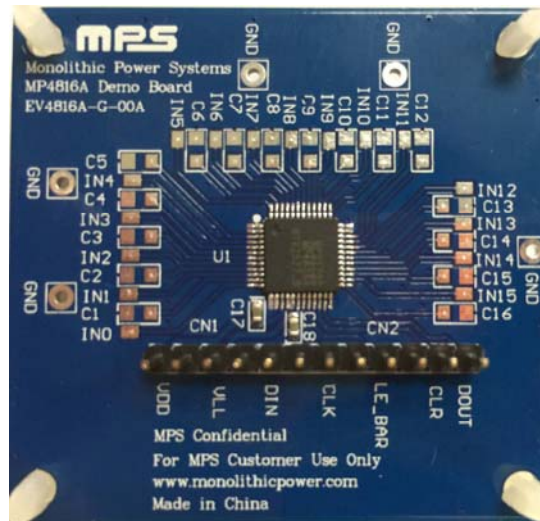
APPLICATIONS

- Medical Ultrasound
- Industrial NDT

All MPS parts are lead-free, halogen free, and adhere to the RoHS directive. For MPS green status, please visit MPS website under Quality Assurance.

"MPS" and "The Future of Analog IC Technology" are Registered Trademarks of Monolithic Power Systems, Inc.

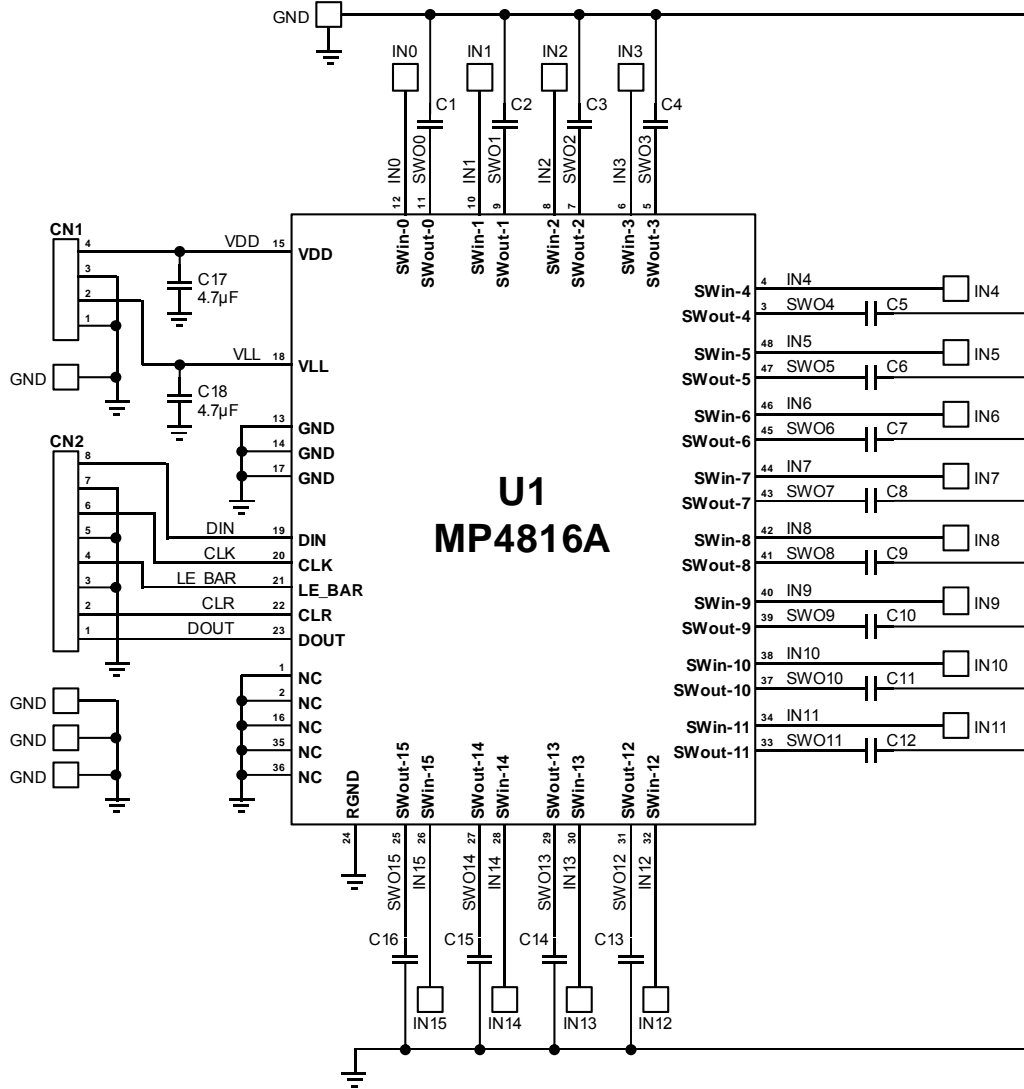
EV4816A-G-00A EVALUATION BOARD



(L x W x H) 2.0" x 1.9" x 0.0625"
(5.08cm x 4.83cm x 0.016cm)

Board Number	MPS IC Number
EV4816A-G-00A	MP4816AGFP

EVALUATION BOARD SCHEMATIC



EV4816A-G-00A BILL OF MATERIALS

Qty	Ref	Value	Description	Package	Manufacturer	Part Number
2	C17, C18	4.7µF	Ceramic, 16V, X7R	0603	muRata	GRM188R61C475KAAJD
16	C1-C16	NS		0805		
1	U1		180V, 16-ch analog switch	TQFP-48	MPS	MP4816A
1	CN1	4pin	4 pin header, 0.100" pitch		Molex	
1	CN2	8pin	8 pin header, 0.100" pitch		Molex	

PRINTED CIRCUIT BOARD LAYOUT

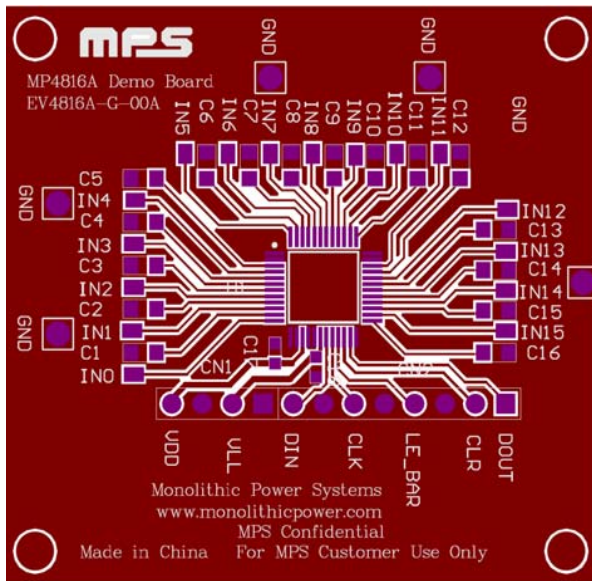


Figure 1—Top Layer

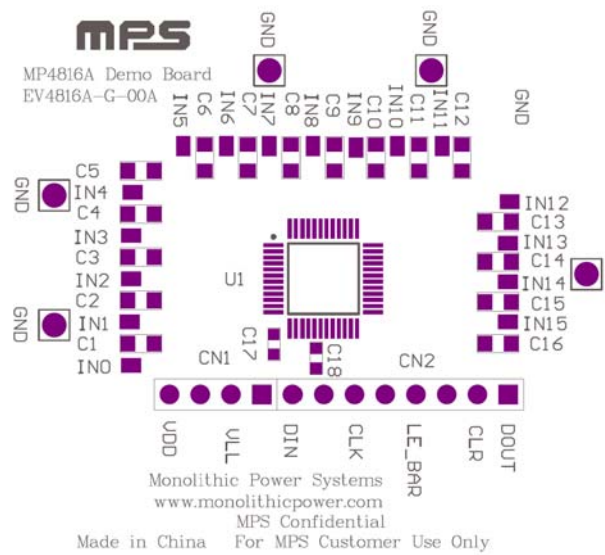


Figure 2—Top Silk Layer

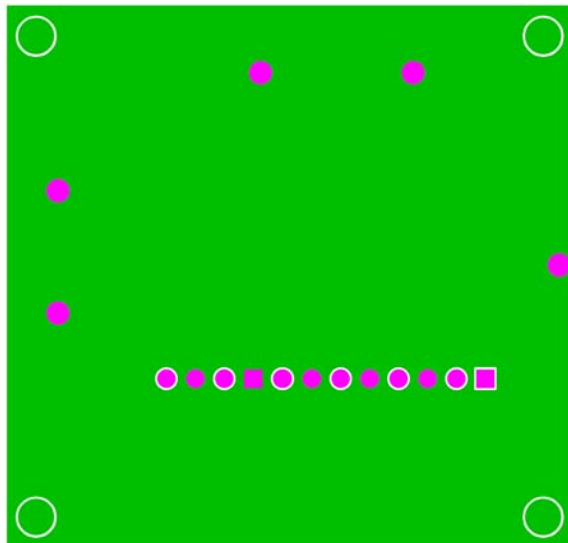
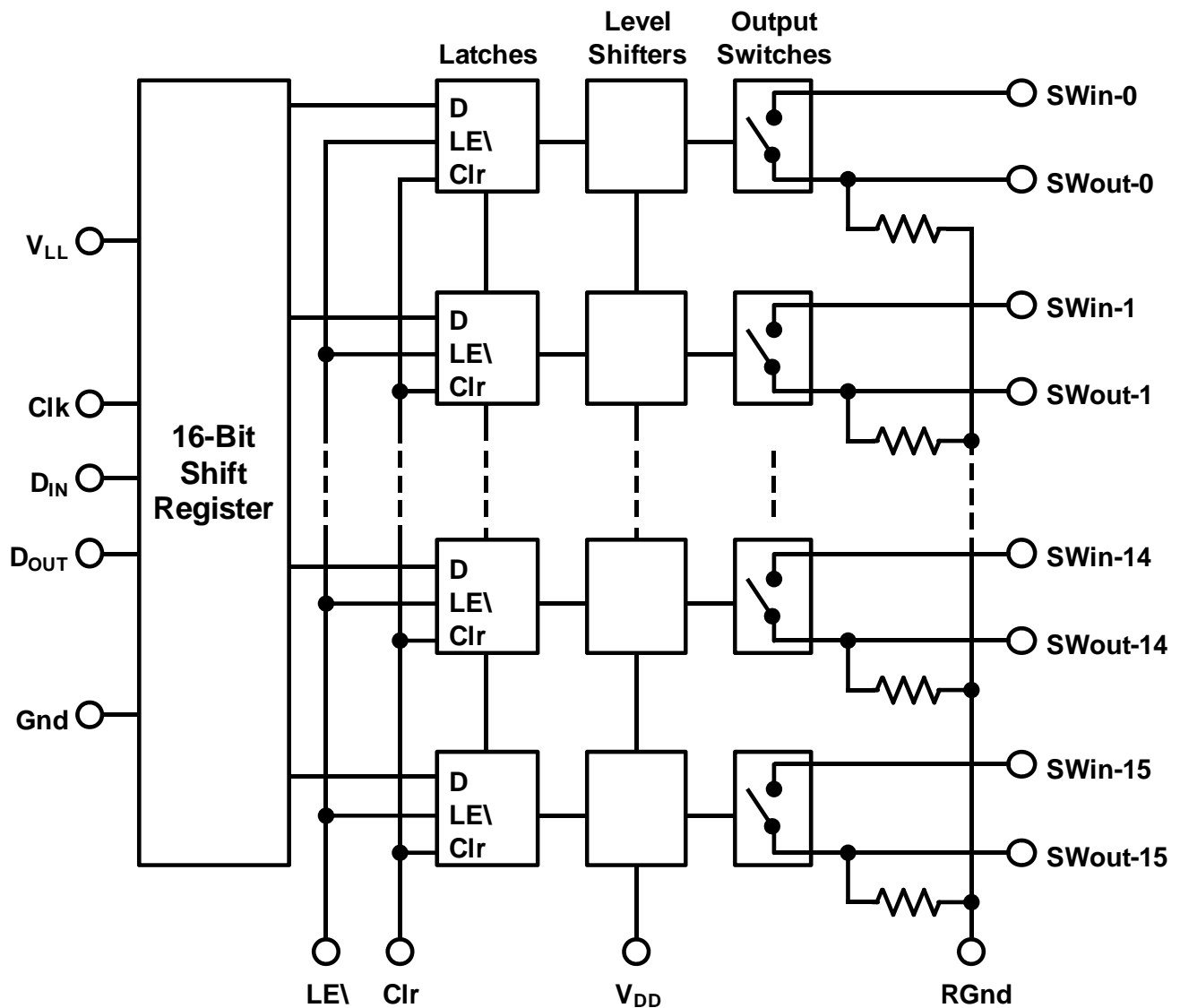


Figure 3—Bottom Layer

FUNCTIONAL BLOCK DIAGRAM



QUICK START GUIDE

- 1) Only two low voltage DC supplies are required; V_{LL} and V_{DD}
Logic interface, V_{LL} : 2.7V to 5.5V
Internal translator, V_{DD} : 9V to 10V
Connections to V_{LL} and V_{DD} can be made through the 4-pin header on the board.
- 2) The analog switches are controlled by a 16-bit serial shift register. A logic high will close the switch and a logic low will open the switch. There are five logic control pins; Clk, Din, Dout, LE_bar, and Clr. Connections to these pins can be made through the 8-pin header on the board.
- 3) Pads are available for the 16 analog switches.
Connect the pulser (transmitter) to the IN0 to IN15 pads.
Connect the piezoelectric transducers to C1 to C16 pads.
C1 to C16 are pads for an 0805 pattern. This allows for a 330pF chip capacitor to be used as a reference load.

Additional information is available in the MP4816A data sheet.

NOTICE: The information in this document is subject to change without notice. Please contact MPS for current specifications. Users should warrant and guarantee that third party Intellectual Property rights are not infringed upon when integrating MPS products into any application. MPS will not assume any legal responsibility for any said applications.