

## DESCRIPTION

The MPQ2483 is a 55V, white LED driver suitable for either step-down or inverting step-up/down applications. It achieves 2.5A peak current over a wide input supply range with excellent load and line regulation. Current mode operation provides fast transient response and eases loop stabilization. Fault condition protection includes thermal shutdown, cycle-by-cycle peak current limiting, input over voltage protection, open strings protection and output short circuit protection.

The MPQ2483 incorporates both DC and PWM dimming onto a single control pin. The separate input reference ground pin allows for direct enable and/or dimming control for a positive to negative power conversion.

The MPQ2483 is package in QFN10 (3 x 3)mm.

## MPQ2483-Q DEMO BOARDS

Board number	Operating Mode	Input (V)	LED#	ILED (mA)
EVQ2483-Q-00A	Buck-boost	12	1-4	700
EVQ2483-Q-00B	Buck	15-50	3	700
EVQ2483-Q-00C	Boost	12	6-9	500

## FEATURES

- Unique Step-up/down Operation (Buck-Boost Mode)
- Wide 4.5V to 55V Operating Input Range for Step-Down Applications (Buck Mode)
- 0.28Ω Internal Power MOSFET Switch
- Adjustable Switching Frequency
- Analog and PWM Dimming
- 0.198V Reference Voltage
- 5μA Shutdown Mode
- No minimum LED required
- Stable with Low ESR Output Ceramic Capacitors
- Cycle-by-Cycle Over Current Protection
- Thermal Shutdown Protection
- Open Strings Protection
- Output Short Circuit Protection
- Available in 10-Pin 3x3 QFN Package

## APPLICATIONS

- General LED Illuminations
- LCD Backlight Panels
- Automotive Lighting

All MPS parts are lead-free and adhere to the RoHS directive. For MPS green status, please visit MPS website under Quality Assurance. "MPS" and "The Future of Analog IC Technology" are Registered Trademarks of Monolithic Power Systems, Inc.

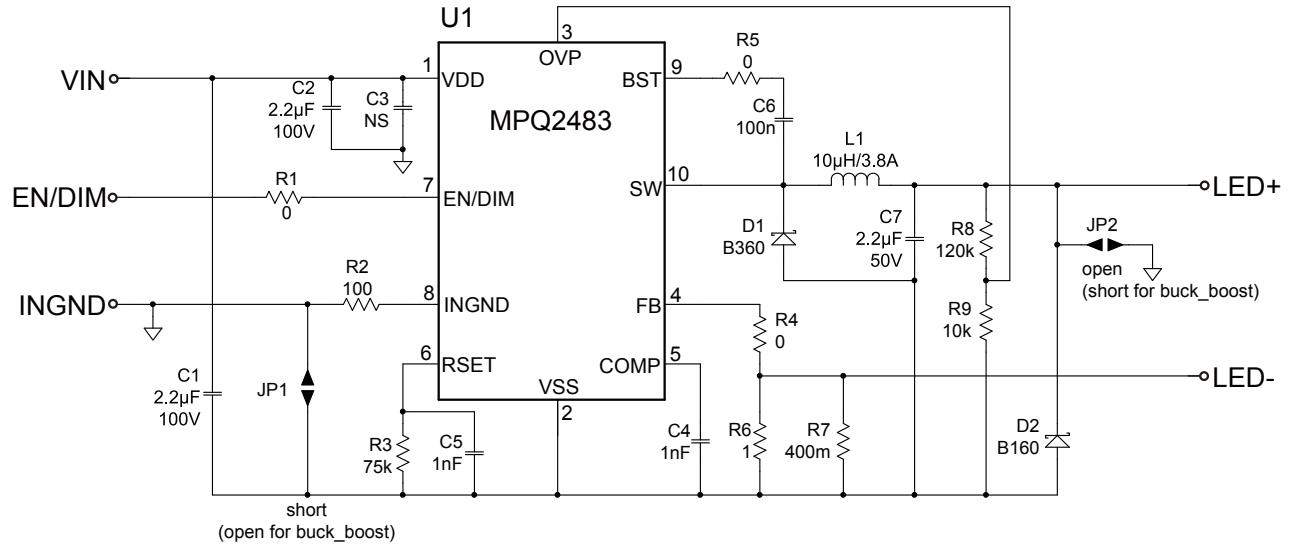
## EVQ2483-Q-00A EVALUATION BOARD



(L x W x H) 5cm x 4.5cm x 0.7cm

Board Number	MPS IC Number
EVQ2483-Q-00A	MPQ2483DQ

## EVALUATION BOARD SCHEMATIC

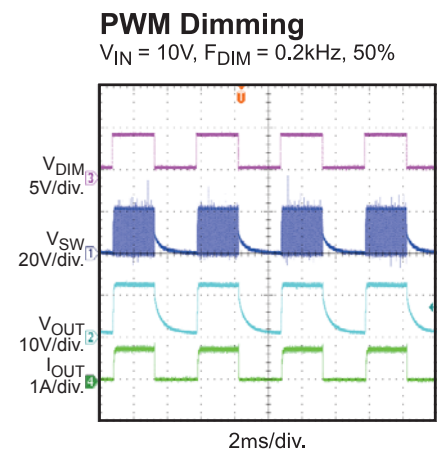
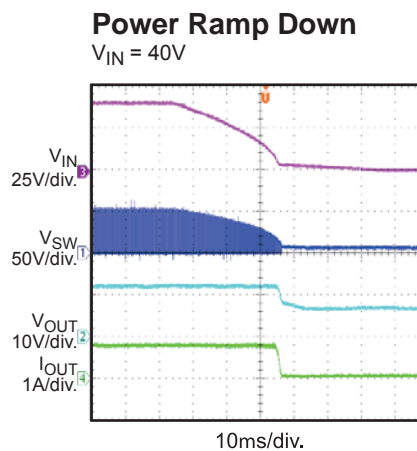
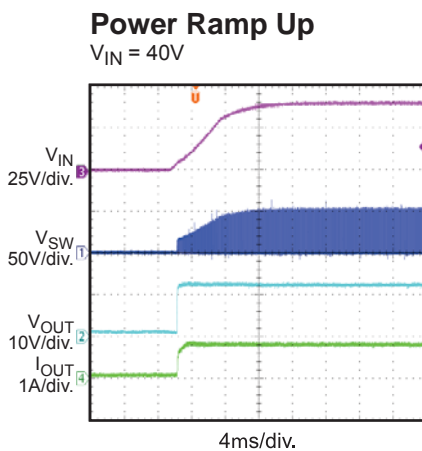
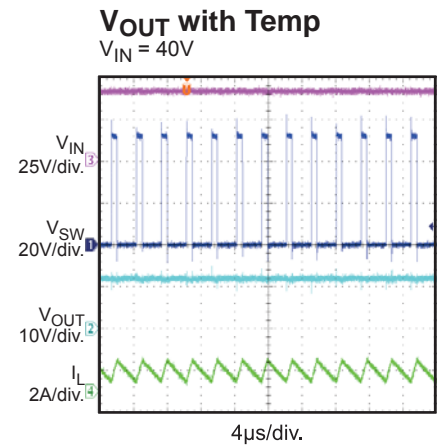
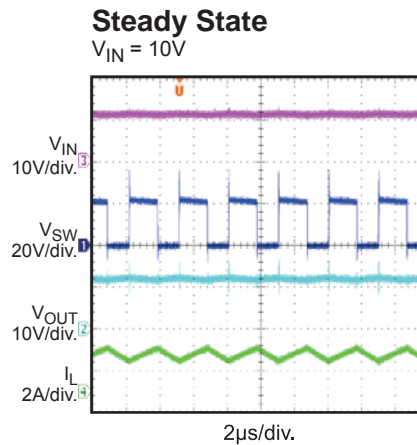
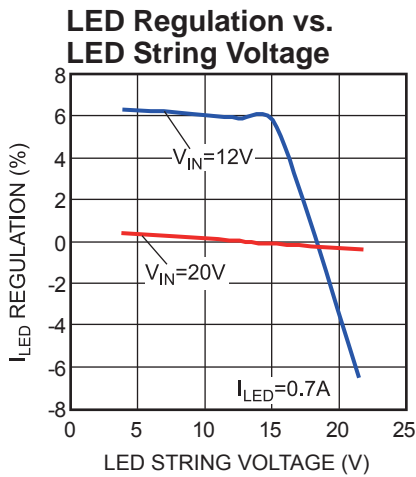
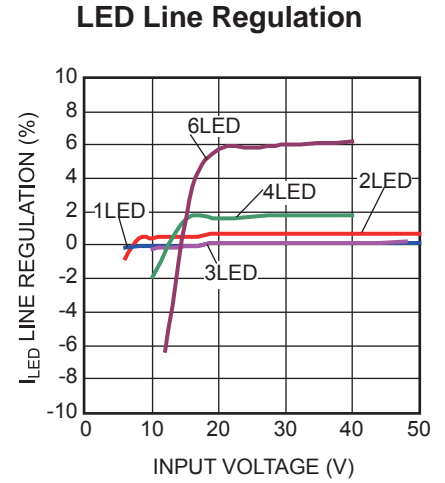
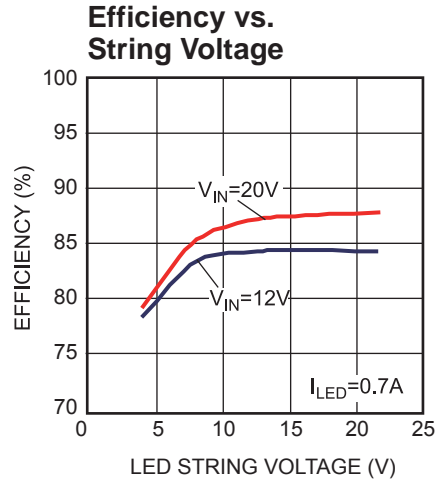
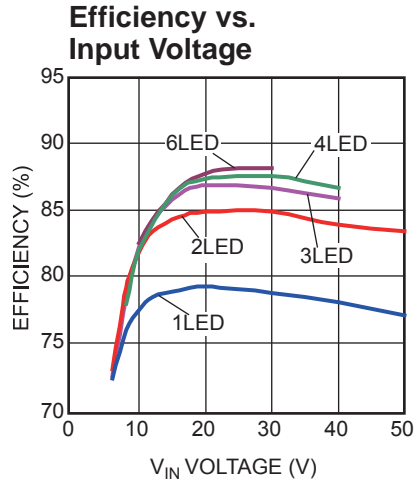


## EVQ2483-Q-00A BILL OF MATERIALS

Qty	Reference	Value	Description	Package	Manufacturer	Manufacturer P/N
2	C1, C2	2.2µF	Ceramic Cap., 100V, 10%, X7R	1210	muRata	GRM32ER72A225KA35L
	C3	NS				
2	C4, C5	1nF	Ceramic Cap., 50V, 10%, X7R	0603	Panasonica	GRM188R71H102KA01D
1	C6	0.1µF	Ceramic Cap., 50V, 10%, X7R	0603	muRata	GRM188R71E104KA01D
1	C7	2.2µF	Ceramic Cap., 50V, 10%, X7R	1206	muRata	GRM31CR71H225KA88L
1	D1	B360	Schottky Rect., 60V,3A	SMA	Diodes Inc	B360A-13-F
1	D2	B160	Schottky Rect., 60V,1A	SMA	Diodes Inc	B160-13-F
1	L1	10µH	Inductor, Rdc 28mΩ, Isat 4A	SMD	Wurth Elektronik	744066100
3	R1, R4, R5	0	Film Res., 5%	0603	Yageo	RC0603JR-070RL
1	R2	100	Film Res., 5%	0603	Yageo	RC0603JR-07100RL
1	R3	75kΩ	Film Res., 1%	0603	Yageo	RC0603FR-0775KL
1	R6	1Ω	Film Res.1%	0805	ROYALOHM	RC0805FR-071RL
1	R7	400mΩ	Film Res. 1%	0805	ROYALOHM	0808F400LT5E
1	R8	120kΩ	Film Res., 1%	0603	Yageo	RC0603FR-07120KL
1	R9	10k	Film Res., 1%	0603	Yageo	RC0603FR-0710KL
1	U1	MPQ2483	Power Led Driver	QFN10	MPS	MPQ2483
1	EN/DIM, LED+, LED-, VIN, GND		11 Pin Header, 2.54mm	2.54mm	Sullins	PCC11SAAN
	JP1, JP2		NS			

## EVB TEST RESULTS

Buck Boost Mode,  $L = 10\mu\text{H}$ ,  $F_{\text{sw}} = 330\text{kHz}$ , 3LED,  $I_{\text{OUT}} = 0.7\text{A}$ ,  $T_A = 25^\circ\text{C}$ , unless otherwise noted.



### PRINTED CIRCUIT BOARD LAYOUT

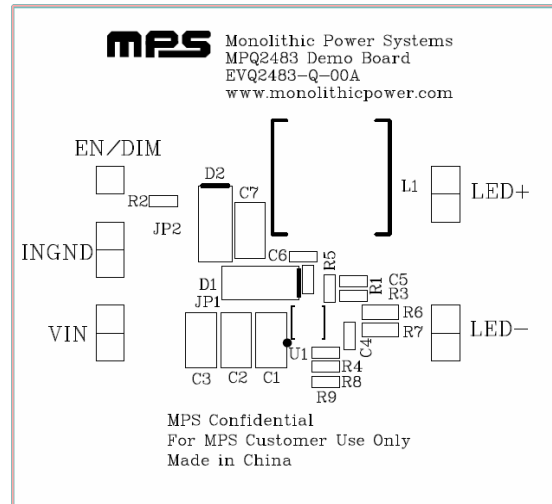
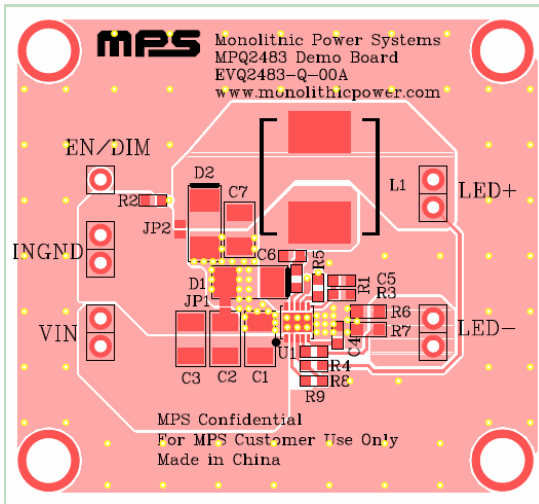


Figure 1—Top Layer

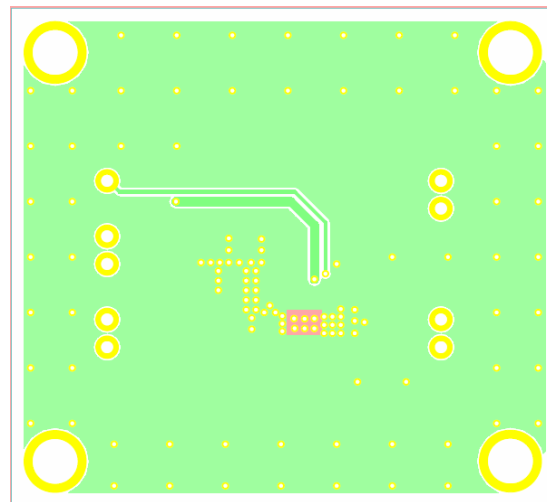
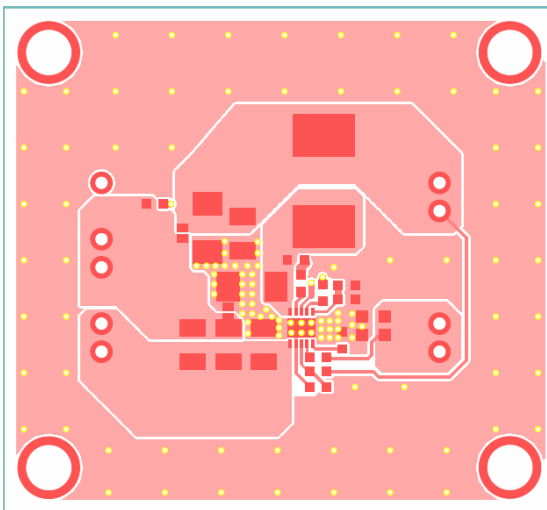


Figure 2—Bottom Layer

## QUICK START GUIDE

1. Connect the load (3LEDs or less) to the output. The Anode of the load to “LED+” and the Cathode of the load to “LED -”.
2. Connect the input voltage source to the input VIN and INGND. The input voltage source should be initialed 10V - 45V.
3. Connect the EN or dimming signal to EN/Dim pin.

For PWM dimming, connect the PWM signal to EN/Dim pin, the high level should be higher than 1.4V, the low level should be lower than 0.7V.

For analog dimming, connect a DC dimming signal in range of 0.7V~1.4V to EN/Dim pin.

4. Power up the input voltage source, and then power up the EN/Dim signal, the LEDs should be ignited.

**NOTICE:** The information in this document is subject to change without notice. Users should warrant and guarantee that third party Intellectual Property rights are not infringed upon when integrating MPS products into any application. MPS will not assume any legal responsibility for any said applications.